

S 110 (R80H/R40V-version) Surface-mounted meter PICOFLUX

ES110-K-080, 110, 130 & ES110-W-080, 110, 130

Connectable –
with 'Flex Plus' register

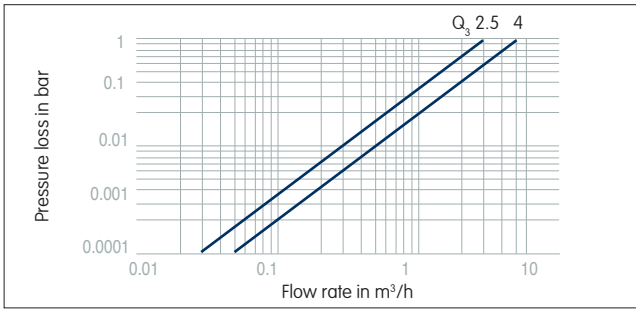


MID Approval
DE-11-MI001-PTB009

- Single-jet meter dry dial EF
- Novel 'Flex Plus' register with inductive communication interface
- Cold water up to 30 °C, hot water up to 90 °C
- Nominal flow rate Q_3 2.5 and 4
- Meter length 80, 110, 130 mm

Meter type	EF				
Meter size / Continuous flow rate	Q_3 m ³ /h	2.5	2.5	2.5	4
acc. to previous nominal size	Q_n m ³ /h	1.5	1.5	1.5	2.5
Nominal size	DN mm	15		20	
	DN inches	1/2		3/4	
Meter length	mm	80	110	110	130
Meter connection thread	inches	G 3/4 B	G 3/4 B	G 1 B	G 1 B

Performance characteristics					
Overload flow rate	Q_4 m ³ /h	3.125	3.125	3.125	5
Transitional flow rate	Q_2 m ³ /h	50		160	
Minimum flow rate	Q_1 l/h	31.5		100	
Starting flow	l/h	8	7		10
Measuring range (MID)	Q_3/Q_1 H/V	R80H/R40V			
Continuous flow rate	Q_3 l/h	2,500		4,000	
Temperature class	MAT °C	30 / 30/90			
Pressure rating	MAP bar	16			
Flow capacity at 1 bar pressure loss	m ³ /h	3.3		5.2	
Mechanical class		M1			
Min. straight length of inlet/outlet pipe		U0/D0			
Climatic ambient conditions	°C	5 to 70			
Protection class	IP	54			
Accuracy class cold water		±2% / ±5%			
Accuracy class hot water		±3% / ±5%			
Magnetic protection		EN 14154-3			

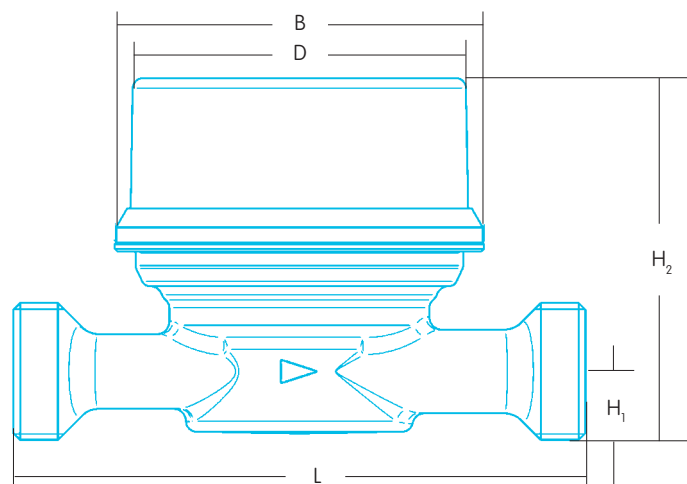


Meter type	EF				
Meter size / Continuous flow rate	Q_3	m ³ /h	2.5	2.5	4
acc. to previous nominal size	Q_n	m ³ /h	1.5	1.5	2.5

Dimensions					
Meter connection thread	inches	G 3/4 B	G 3/4 B	G 1 B	G 1 B
L Length	mm	80	110	110	130
B Width	mm	71			
D Diameter register cap	mm	64			
H ₁ Centerline height	mm	57.5			
H ₂ Overall height	mm	71			74,1
Weight	kg	0.3			0.4

Retrofittable function modules	Manufacturer
M-Bus/Puls	ELSTER
Radio	Müller Electronic
	Qundis
	Sontex
	Engelmann

Surface Meter



ELSTER Messtechnik GmbH
 Otto-Hahn-Ring 2-4
 64653 Lorsch, Germany
 T +49 6251 59301 0
 F +49 6251 59301 80
 E messtechnik@elster.com



Owre-Johnsen as

instrumenter@owre-johnsen.no

S110_D 02.03e/ 10.13
 Contents subject to change
 without notice

www.elstermesstechnik.com

