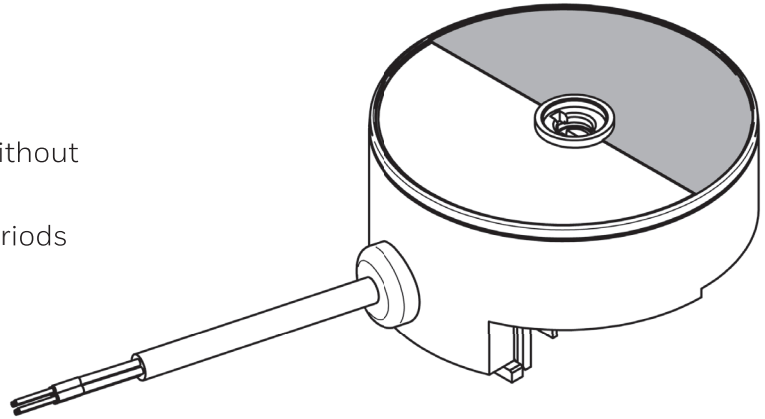


TMP-F

M-Bus- and Pulse output module

Retrofit module for sub-metering water meter type EF and MOF

- M-Bus acc. EN13757, OMS conform
- Pulse output SO conform
- To retrofit meter types EF und MOF without affecting the calibration period
- Can be used for several calibration periods



Module characteristics	
Type	Combined M-Bus and Pulse output module
Protection class	IP 56
Type of wire	LiYY 4 x 0.25
Battery	3 V Lithium
Power supply	By system when connected to a M-Bus, by battery when used as pulse only module
M-Bus Load	1 Load
Battery lifetime	Typically 12 years at 25 °C
Data lines	Galvanic isolated
Sensing	Inductive with three coils
Color	Transparent
Environmental temperature	0 up to 55 °C
Humidity (non-condensing)	10% up to 70%

M-Bus	
Protocol	M-Bus acc. EN13757 OMS conform
Data transfer speed	2400 Baud, 300 und 9600 Baud programmable
Secondary address	Pre-programmed in factory
Primary address	Programmable
Manufacturer ID	ELS
Color of wires	White/brown; protected against polarity reversal

Pulse	
Pulse value	1, 5, 10, 25, 50, 100, 250, 500 or 1,000 l/Pulse programmable
Pulse width	min. 62.5 ms
Load	30 VDC, max. 30 mA
Type of pulse	Direct or balanced (programmable)
Color of wires	Green/yellow; protected against polarity reversal

TMP-F M-Bus- and Pulse output module Technical Data

Functions

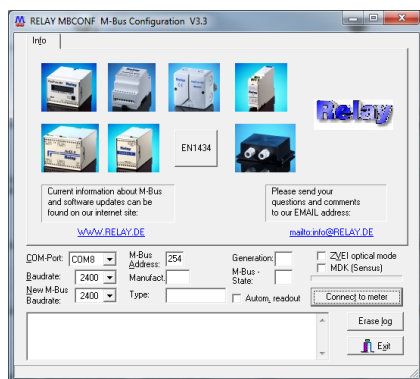
The module offers the possibility to connect the M-Bus and pulse output at the same time. Due to the galvanic isolation between the two a cross influence is



Programming of the module

The programming of the module is done with the software MBConf* via M-Bus connection.

It is possible to set all data parameters of the M-Bus telegram as well as all characteristics of the pulse output.



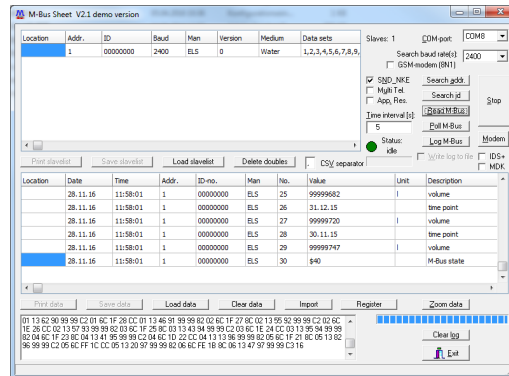
Data at M-Bus readout:

- Current meter reading
- Serial number water meter (if set)
- Serial number M-Bus module
- 15 monthly values with date
- 15 monthly mid values with date
- S.R.D. values with date

The readout can be done with every common M-Bus software.

We recommend to use the software MBSheet from Relay*.

* Relay GmbH, www.relay.de, free of charge

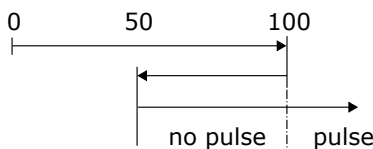


Parameter in Pulse output mode

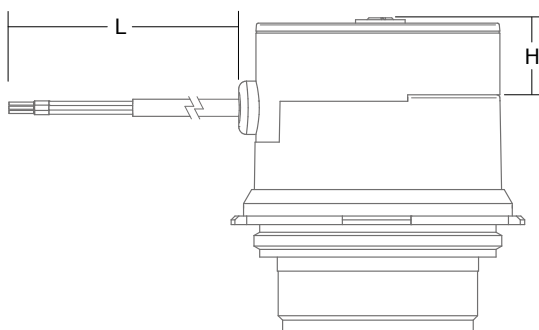
The pulse value can be set to 1, 5, 10, 25, 50, 100, 250, 500 or 1,000 V/pulse. Two different modes are available:

In "direct pulse" mode pulse are always given out independent from the flow direction.

In "balanced pulse" mode pulses are only give out when the reading is positive, respectively backflow is compensated by forward flow.



Dimensional drawing



Dimensions

H	Additional height	mm	20
L	Cable length	m	1, with wire sleeves

For further information visit:
www.elstermetering.com

ELSTER Messtechnik GmbH
Otto-Hahn-Ring 2-4
64653 Lorsch, Germany
T +49 6251 59301 0
F +49 6251 59301 81
E vertrieb.wasser@honeywell.com



TMP-F_D 02.29e / 11.16
Contents subject to change without notice

