

S110 Surface mounted meter PICOFLUX

Connectable –
with integrated pulse output

- Single jet dry dial meter EP
- Integrated potential-free pulse output
- Cold water up to 30 °C, hot water up to 90 °C
- Nominal flow Q_3 2.5 and 4
- Meter length 80, 110, 130 mm



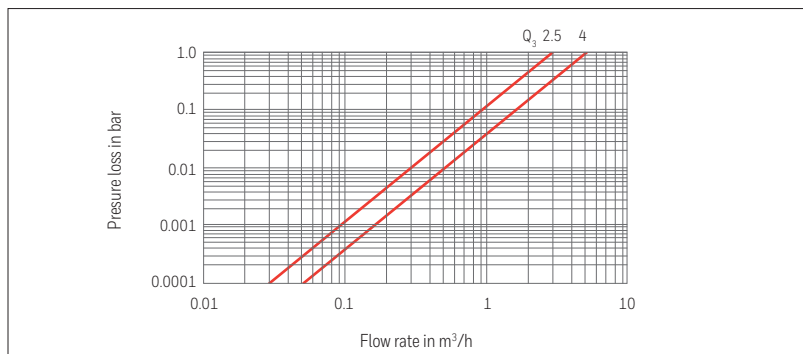
EU-type examination certification
DE-11-MI001-PTB009

Meter type	EP							
Meter size / Continuous flow rate	Q_3	m ³ /h	2.5	2.5	2.5	2.5	2.5	4
Nominal size	DN	mm	15		20	15	20	
	DN	inches	1/2		3/4	1/2	3/4	
Meter length		mm	80	110	110	130	130	130
Meter connection thread		inches	G 3/4 B	G 3/4 B	G 1 B	G 3/4 B	G 1 B	G 1 B

Performance characteristics

Overload flow rate	Q_4	m ³ /h	3.125					5
Transitional flow rate	Q_2	l/h	100					160
Minimum flow rate	Q_1	l/h	62.5					100
Starting flow		l/h	8	7				10
Measuring range (MID)	Q_3/Q_1	H/V	R 40					
Continuous flow rate	Q_3	l/h	2,500					4,000
Temperature class	MAT	°C	30; 30/90					
Pressure rating	MAP	bar	16					
Flow capacity at 1 bar pressure loss		m ³ /h	3.3					5.2
Mechanical class			M1					
Min. straight length of inlet/outlet pipe			U0/D0					
Climatic ambient conditions		°C	5 to 70					
Protection class	IP		54					
Accuracy class cold water			±2%/±5%					
Accuracy class hot water			±3%/±5%					
Magnetic protection			EN 14154-3					

S110 Surface mounted meter PICOFLUX Technical data



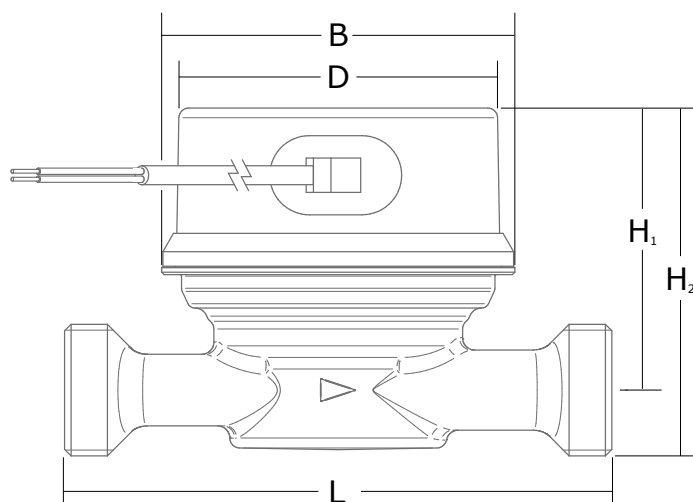
Meter type	EP						
Meter size / continuous flow rate	Q ₃ m ³ /h	2.5	2.5	2.5	2.5	2.5	4

Dimensions							
Meter connection thread	inches	G 3/4 B	G 3/4 B	G 1 B	G 3/4 B	G 1 B	G 1 B
L Length	mm	80	110	110	130	130	130
B Width	mm	71					
D Diameter register cap	mm	64					
H ₁ Centerline height	mm	57.5					
H ₂ Overall height	mm	71					74.1
Weight	kg	0.3					0.4

Integrated pulse output	
Pulse value	1, 10, 100 l/Imp. (Standard)
Sensor	Reed switch, potential-free, closing contact
Connection	Fixed wire, exit at the side, 1,5 m
Contact load	max. 30 V DC, 50 mA, max 5 W

Dimensional drawing

EP



For further information visit:
www.elstermetering.com

ELSTER Messtechnik GmbH
 Otto-Hahn-Ring 2-4
 64653 Lorsch, Germany
 T +49 6251 59301 0
 F +49 6251 59301 81
 E vertrieb.wasser@honeywell.com



S110 D 02.34e / 03.17
 Contents subject to change without notice

Honeywell
 THE POWER OF CONNECTED