



TEMPRESS pressure transmitter with diaphragm seal

- Pressure transmitter specifically designed for diaphragm seal
- Sanitary design
- CE approved
- All in AISI 316**
- Temperature compensated
- Long term stability
- Measuring ranges acc. to international standard
- 4-20 mA output signal
- IP 65 plug

Option:

- Remote reading with capillary tube
- Cable version, IP 65 or IP 68 -With display

Specifications	
Type:	P1232
Power supply:	9-32 VDC
Output signal:	4-20 mA 0-20mA or V signal
Option	
Measuring range:	-1... 1,6 bar
Min. span	250 mbar
Zero-point displacement:	±1% of span
Linearity, hysteresis and repeatability: Option	<±1% of span (best fit straight line) ±0,25% of span
Temperature compensation: Option	-20 C to +80 °C - 50 C to +125 °C
Operation temperature:	-40 C til + 125 °C
Long term stability:	<±0,1 % of span/12 months
Insulation: EMC:	>500 M n @ 500VDC
Load (4-20 mA):	EN50082-2 <=750 n @ 24VDC supply
Electrical connection: Option	Plug 43650-A, PG11, IP65 PUR cable, IP 65 or IP 68

The fact that TEMPRESS is the manufacturer of both the diaphragm seal and the pressure transmitter, ensures that the two parts work together in the best possible way.

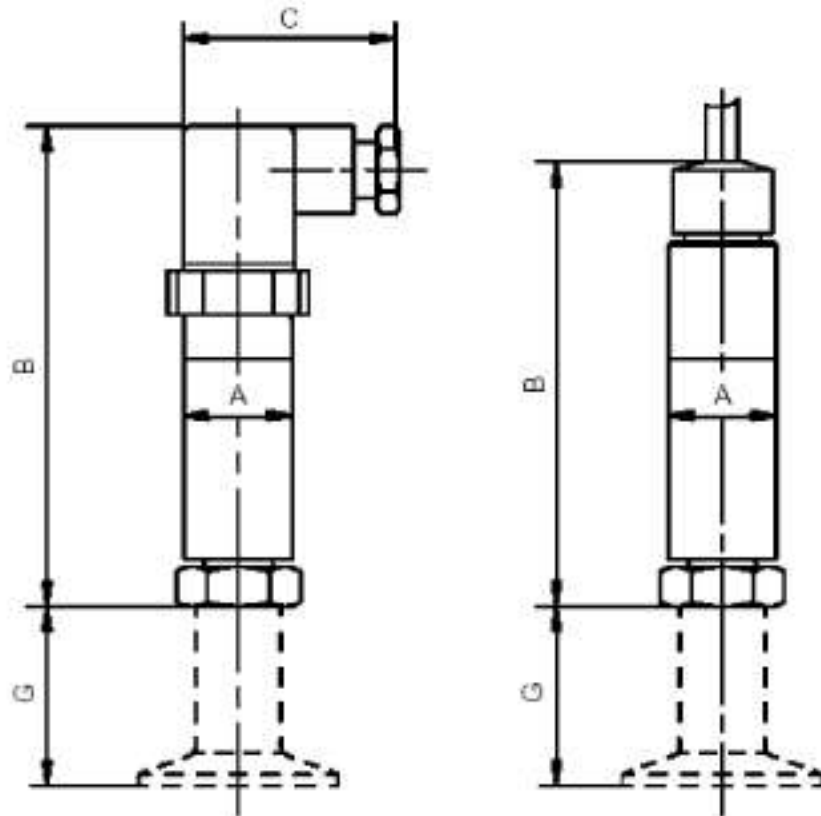
The pressure transmitter is designed to withstand an over-pressure of 50% without influencing the calibration.

For specifications and selection of diaphragm seal please refer to specific data sheet.

TEMPRESS offer:

- Instruments manufactured to the ISO 9001 certification
- Reliable, accurate and high quality products
- Competent and professional advice

Dimensions: Pressure transmitter type P1232



Dimensions		
	Plug	Cable
A	Ø27 (dia. 1,06")	Ø27 (dia. 1,06")
B	130 (dia. 5,12")	121 (4,76")
C	54 (2,13")	
G	Please refer to specific data sheet for diaphragm seal	



3-A approval is available for P1232

Agent/Dealer:



TEMPRESS
 Hordlandsvej 62-64, DK-8240 Risskov
 Ph. +45 8932 5200, Fax: +45 8932 5213
 E-Mail: tesmpress@tempress.dk