

# Installation guide

## Pressure switch

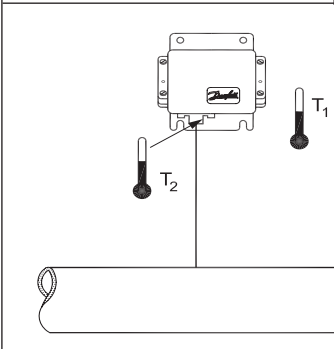
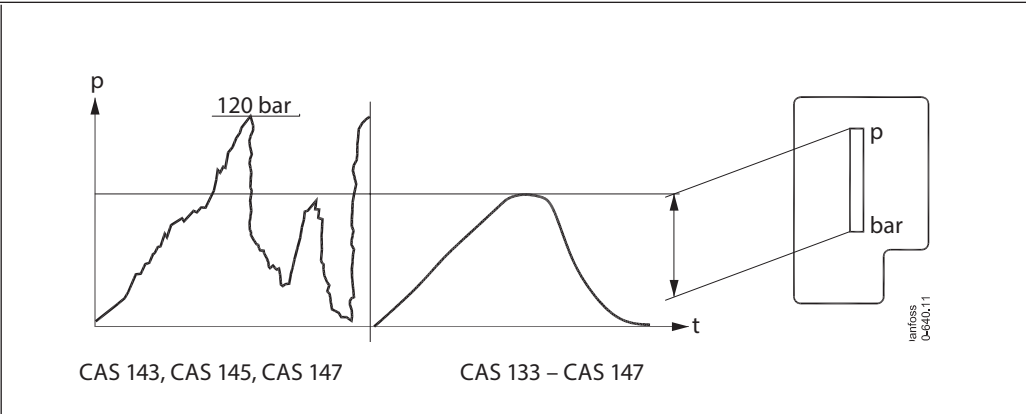
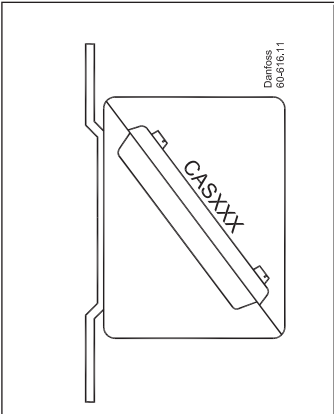
### Types CAS 133 – CAS 147



Імпортёр: ТОВ з іі "Данфосс ТОВ" 04080, Київ 80, п/с 168, Україна

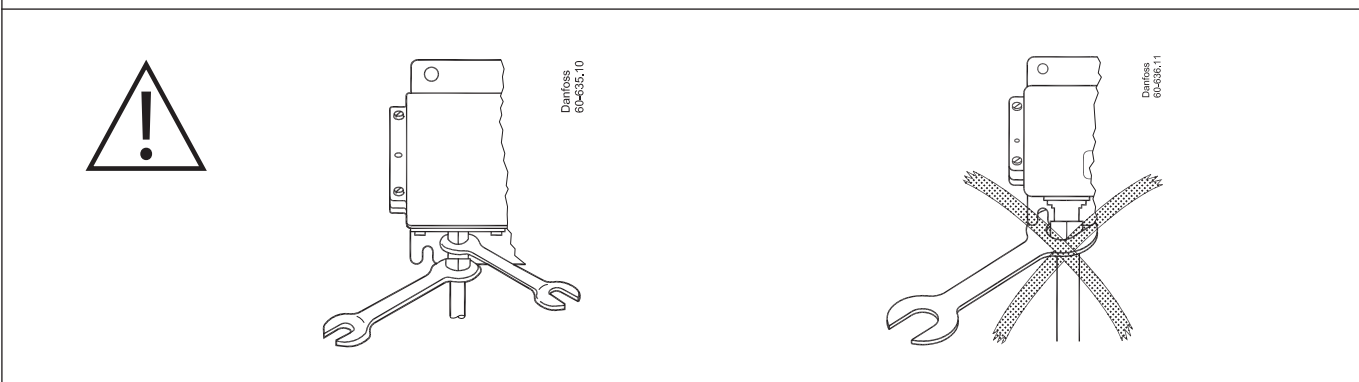
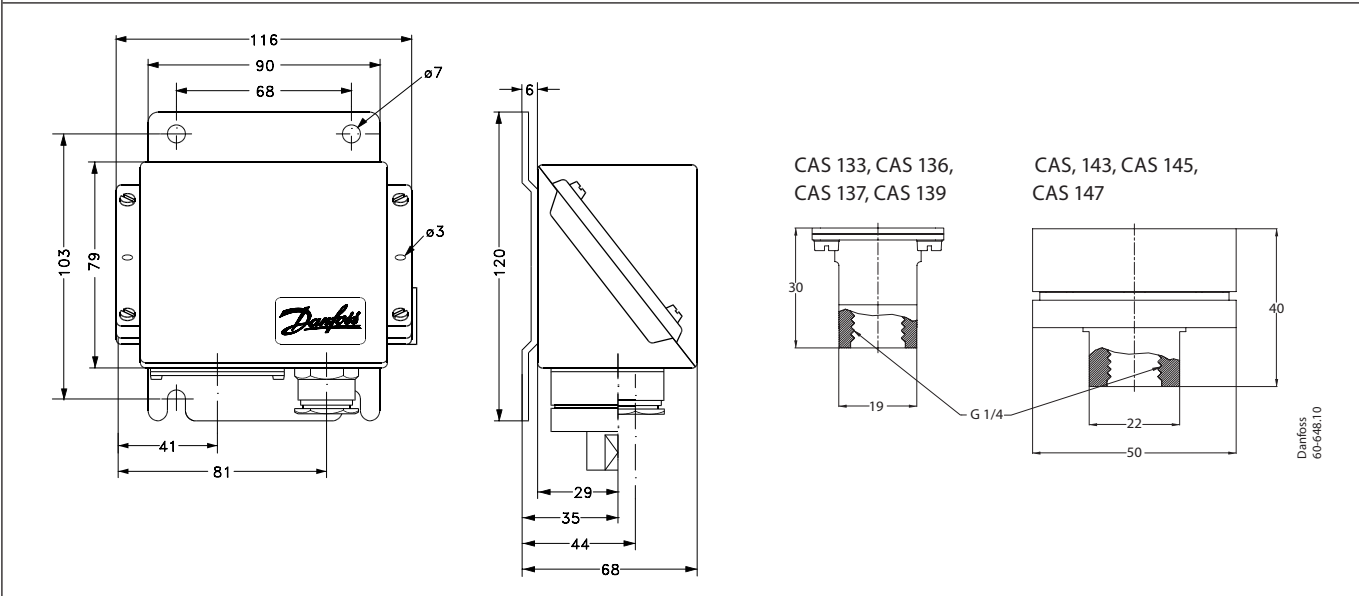
Info for UK customers only: Danfoss Ltd., 22 Wycombe End, HP9 1NB, GB

060R9304

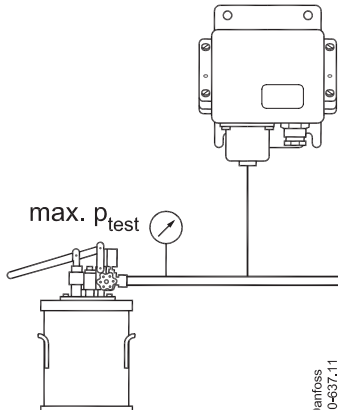


Type	T <sub>1</sub> min.	T <sub>2</sub> min.	T <sub>1</sub> max.	T <sub>2</sub> max.*
	[°C]			
CAS 133, CAS 136, CAS 137, CAS 139	-40	-40	70	100
CAS 143, CAS 145, CAS 147	-25	-25		

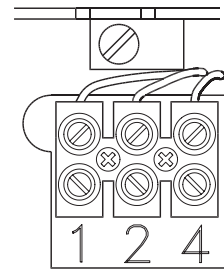
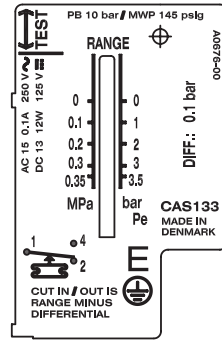
\* T<sub>2</sub> max. for water and seawater, max. 80 °C



Type	P max. [bar]
CAS 133	10
CAS 136	22
CAS 137	27
CAS 139	53
CAS 143	180
CAS 145	
CAS 147	

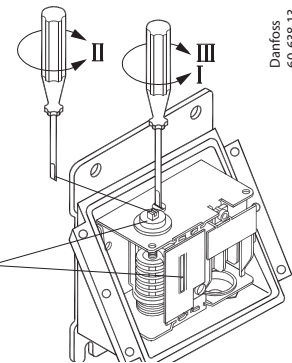
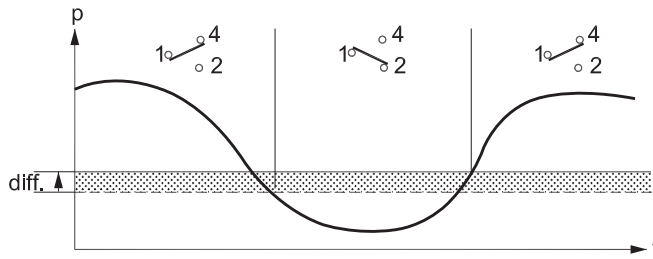


Danfoss  
0-637.11

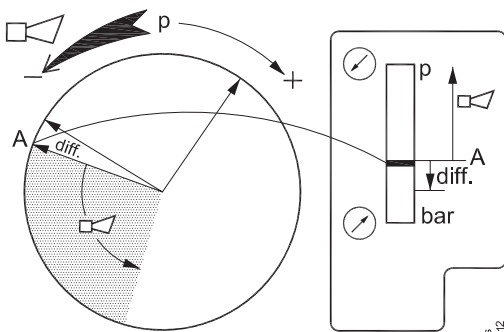


Danfoss  
60L641.13

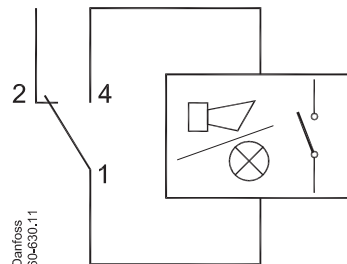
Type	Diff. [bar]
CAS 133	0.1
CAS 136	0.2
CAS 137	0.3
CAS 139	0.6
CAS 143	0.2 - 0.6
CAS 145	0.8 - 2.4
CAS 147	1.0 - 3.0



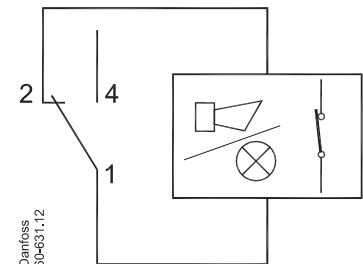
Danfoss  
60-638.13



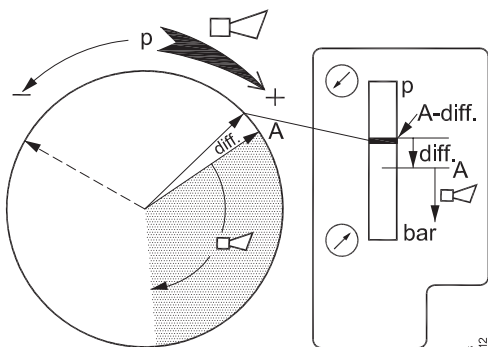
Danfoss  
60-623.12



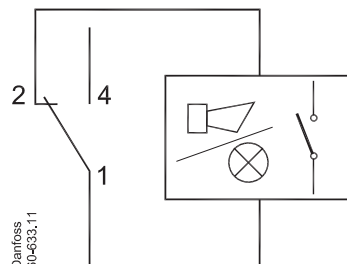
Danfoss  
60-630.11



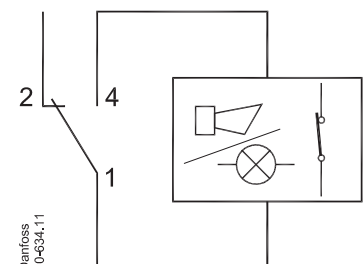
Danfoss  
60-631.12



Danfoss  
60-624.12



Danfoss  
60-633.11



Danfoss  
60-634.11