

Data sheet



Customer item no.:
Communication dated:
Doc. no.: Quick quote
Quantity: 1

Number: ES 8001392260
Item no.: 100
Date: 09/09/2021
Page: 1 / 5

ETB 040-025-160 GGS AV06D200114 B
Low-pressure centrifugal pump Etabloc

Version no.: 1

Operating data

Pumped medium	Water	Actual flow rate	0.975 l/s
	Clean water	Actual developed head	8.89 m
Pumped medium details	Not containing chemical and mechanical substances which affect the materials	Efficiency	31.8 %
		MEI (Minimum Efficiency Index)	≥ 0.70
Max. ambient air temperature	20.0 °C	Power absorbed	0.27 kW
Min. ambient air temperature	20.0 °C	Pump speed of rotation	1485 rpm
Fluid temperature	20.0 °C	NPSH required	1.17 m
Fluid density	998 kg/m ³	Permissible operating pressure	16.00 bar.g
Fluid viscosity	1.00 mm ² /s		
Suction pressure max.	0.00 bar.g	Discharge press.	0.87 bar.g
Mass flow rate	0.97 kg/s	Shutoff head	10.61 m
Max. power on curve	0.30 kW	Min. allow. flow for continuous stable operation	0.151 l/s
Max. allow. mass flow	1.29 kg/s	Min. allow. mass flow for continuous stable operation	0.15 kg/s
Design	Single system 1 x 100 %		tolerances to ISO 9906 class 3B

Design

Pump standard	EN 733	Material code	U3BEGG
Design	Close-coupled	Shaft seal code	6
Orientation	Horizontal	Sealing plan	Single-acting mechanical seal with vented chamber (A-type casing cover, taper bore)
Suction nominal dia.	DN 40		
Suction nominal pressure	PN 16	A liquid free of solids is assumed	
Suction position	axial	Seal chamber design	Conical seal chamber (A-type cover)
Suction flange drilled according to standard	EN1092-2	Contact guard	With
Discharge nominal dia.	DN 25	Wear ring	Casing wear ring
Discharge nominal pressure	PN 16	Impeller diameter	169.0 mm
Discharge position	top (0°/360°)	Free passage size	5.7 mm
Discharge flange drilled according to standard	EN1092-2	Silicon free pump assembly	Yes
Surface type	Raised face (form B to EN 1092)	Bearing bracket construction	Close-coupled
Shaft seal	Single acting mechanical seal	Bearing bracket size	25
Shaft seal manufacturer	Burgmann	Bearing type	Anti-friction bearings
Shaft seal type	RMG13G606	Lubrication type	Grease

Data sheet



Customer item no.:
Communication dated:
Doc. no.: Quick quote
Quantity: 1

Number: ES 8001392260
Item no.: 100
Date: 09/09/2021
Page: 2 / 5

ETB 040-025-160 GGS AV06D200114 B
Low-pressure centrifugal pump Etabloc

Version no.: 1

Driver, accessories

Driver type	Electric motor	Motor efficiency at 4/4 load	84.1 %
Drive standard mech.	IEC	Temperature sensor	1 PTC resistor
Model (make)	KSB-Motor	Terminal box position	0°/360° (top)
Drive supplied by	Standard motor supplied by KSB - mounted by KSB		Viewed towards the suction nozzle
Motor const. type	V1	Motor winding	230 / 400 V
Motor size	90S	Number of poles	4
Efficiency class	Efficiency class IE3 acc. to IEC60034-30-1	Connection mode	Star
Motor speed	1486 rpm	Motor cooling method	Surface cooling
Frequency	50 Hz	Motor material	Aluminium
Rated voltage	400 V	Frequency inverter operation allowed	FI allowed
Rated power P2	1.10 kW	Motor noise pressure level	59 dBa
Available reserve	312.15 %	Motor data can vary from type plate information. Motor data describes KSB's choice functional specification and is used for pump selection.	
Rated current	2.6 A	CE-approval	Yes
Starting current ratio	8	Condensat drain motor	Yes
Insulation class	F to IEC 34-1	Ambient temperature	40
Motor enclosure	IP55	Max. absolute humidity	30
Cos phi at 4/4 load	0.83	Temp. sensor mtr. bearing	Without

Materials G

Notes 1

General criteria for a water analysis: pH-value ≥ 7 ; chloride content (Cl) ≤ 250 mg/kg. Chlorine (Cl₂) ≤ 0.6 mg/kg.

Volute casing (102)	Grey cast iron EN-GJL-250/A48CL35B
Casing cover (161)	Grey cast iron EN-GJL-250/A48CL35B
Support foot (183)	(ST)
Shaft (210)	Tempered steel C45+N
Impeller (230)	Grey cast iron EN-GJL-250/A48CL35B
Motor stool (341)	Grey cast iron EN-GJL-250/A48CL35B

Flat gasket (400)	DPAF seal plate asbestos free
Casing wear ring (502.1)	Grey cast iron GG/CAST IRON
Casing wear ring (502.2)	Grey cast iron GG/CAST IRON
Shaft sleeve (523)	CrNiMo steel
Stud (902)	Steel 8.8
Nut (920.01)	8+A2A/ 8+B633 SC1 TP3
Nut (920.95)	Steel 8

Coating

KSB coating code	A1 to KSB AN 1897	Final coating	Acrylate dispersion, water-dilutable
Surface preparation	Free from dirt, grease, rust	Color	Ultramarine blue (RAL 5002)
Primer	Hydro primer, water based	Total film thickness approx.	KSB-blue 100 μ m

Performance curve

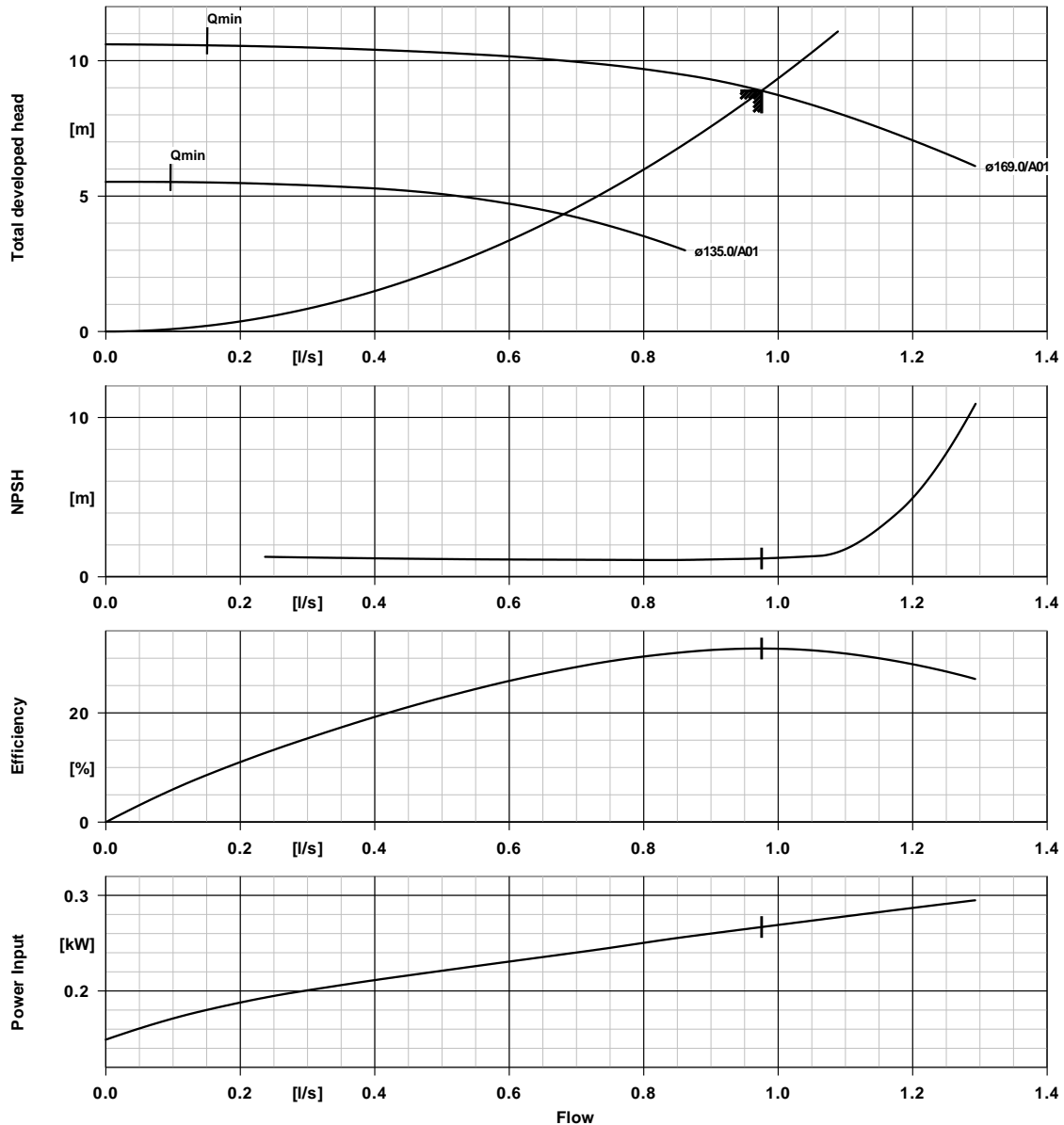


Customer item no.:
 Communication dated:
 Doc. no.: Quick quote
 Quantity: 1

Number: ES 8001392260
 Item no.:100
 Date: 09/09/2021
 Page: 3 / 5

ETB 040-025-160 GGS AV06D200114 B
 Low-pressure centrifugal pump Etabloc

Version no.: 1



Curve data

Speed of rotation	1485 rpm	MEI (Minimum Efficiency Index)	≥ 0.70
Fluid density	998 kg/m ³	Power absorbed	0.27 kW
Viscosity	1.00 mm ² /s	NPSH required	1.17 m
Flow rate	0.975 l/s	Curve number	K1311.454/14/2
Total developed head	8.89 m	Effective impeller diameter	169.0 mm
Efficiency	31.8 %		

Installation plan



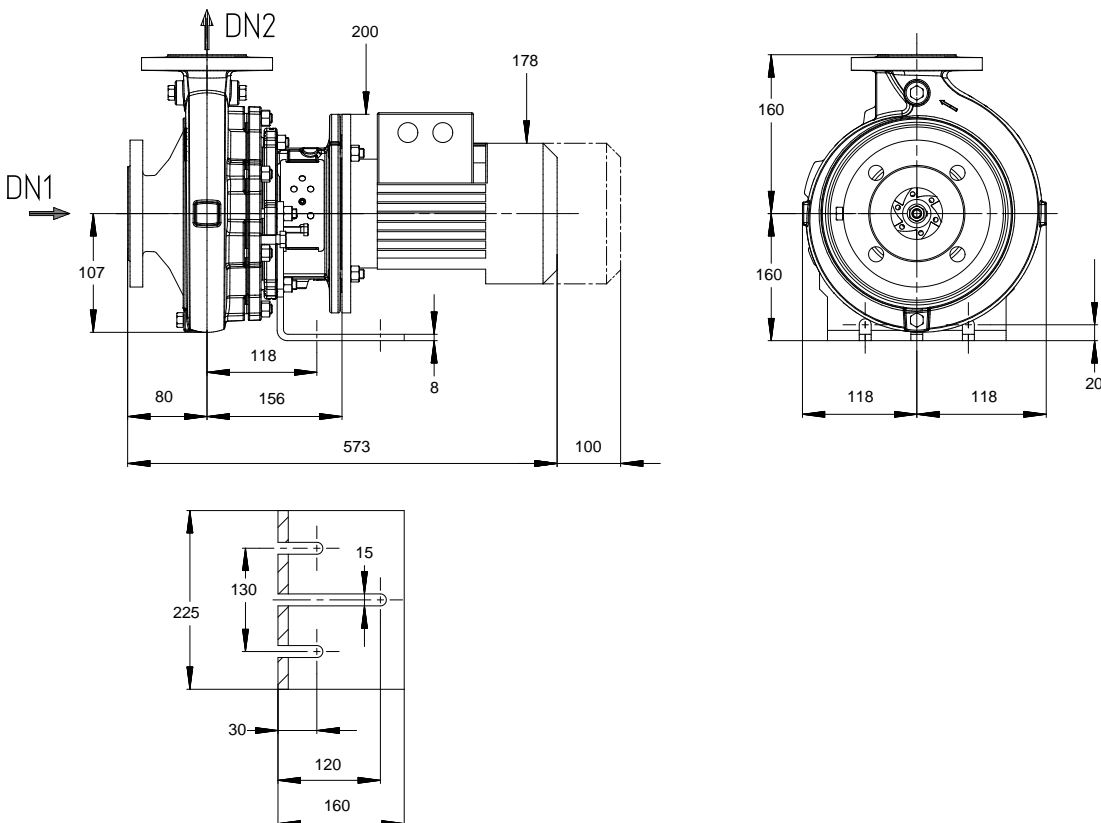
Customer item no.:
 Communication dated:
 Doc. no.: Quick quote
 Quantity: 1

Number: ES 8001392260
 Item no.:100
 Date: 09/09/2021
 Page: 4 / 5

ETB 040-025-160 GGS AV06D200114 B

Version no.: 1

Low-pressure centrifugal pump Etabloc



Drawing is not to scale

Dimensions in mm

Motor

Motor manufacturer	KSB-Motor
Motor size	90S
Motor power	1.10 kW
Number of poles	4
Speed of rotation	1486 rpm
Position of terminal box	0°/360° (top) Viewed towards the suction nozzle

Connections

Suction nominal size DN1	DN 40 / EN1092-2
Discharge nominal size DN2	DN 25 / EN1092-2
Nominal pressure suct.	PN 16
Rated pressure disch.	PN 16

Weight net

Pump	27 kg
Motor	23 kg
Total	50 kg

Connect pipes without stress or strain!

For auxiliary connections see separate drawing.

Connection plan

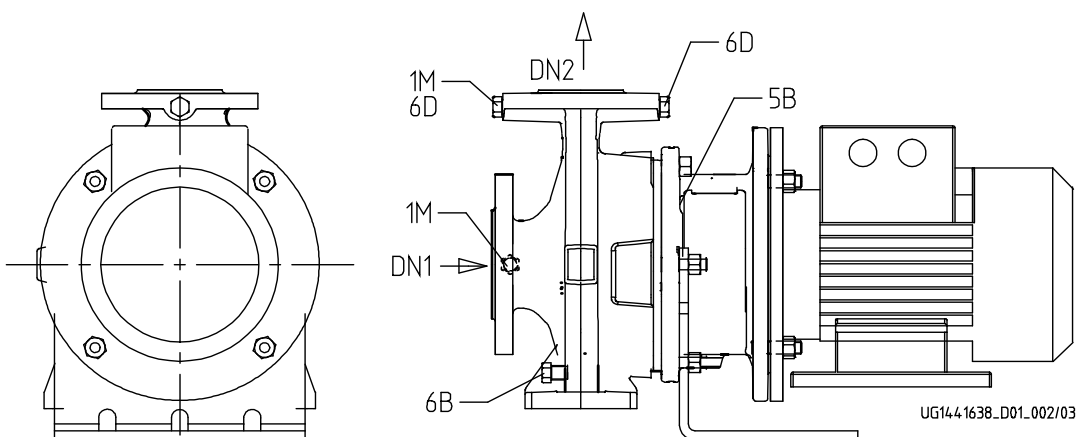


Customer item no.:
Communication dated:
Doc. no.: Quick quote
Quantity: 1

Number: ES 8001392260
Item no.:100
Date: 09/09/2021
Page: 5 / 5

ETB 040-025-160 GGS AV06D200114 B
Low-pressure centrifugal pump Etabloc

Version no.: 1



Connections

Pump casing variant

1M.2 Pressure gauge connection

1M.1 / 6D Pressure gauge or filling/venting connection G 1/4

6B Pumped liquid drain G 1/4

6D Pumped medium - filling / venting

11E Flushing liquid inlet

5B venting

XX46

Not executed

Drilled and plugged.

Drilled and plugged.

Not executed

Not executed

Drilled and plugged.