



Installation and Operating Instructions

Compact Heat Meter

Compact Heat/Cooling Meter

Compact Cooling Meter

SensoStar Ultrasonic, Single-Jet and Multi-Jet Heat Meters

DE-16-MI004-PTB025 (MID heat)

DE-16-M-PTB-0097 (national German cooling)

CH-T2-18768-00 (national Swiss cooling)

OE18 C340 (national Austrian cooling)

1 Application and Function

This SensoStar is designed for the measurement of the consumed energy in a closed heating, cooling or heating / cooling system.

2 Contents of the Package

- Heat meter or heat/cooling meter, consisting of a calculator, a flow sensor and two temperature sensors, all permanently connected to each other
- Installation kit (depending on type)
- Installation and Operating Instructions
- Operating Instructions „Communication Interfaces S3(C)“ (with meters with an optional interface)
- Declaration of Conformity



3 General Information

- Valid standards for the application of heat meters: EN 1434, parts 1 – 6; the Measuring Instruments Directive 2014/32/EU, Annexes I and MI-004; and the relevant national verification regulations.
- For the selection, installation, commissioning, monitoring and maintenance of the instrument observe the standard EN 1434 part 6, as well as the verification regulations PTB TR K8 + K9 for Germany (and any relevant national verification regulations in other countries).
- **For combined heat/cooling meters the cooling register has no verification. National regulations for the consumption measurement of cooling must be observed.**
- The technical regulations for electrical installations must be observed.
- This product fulfils the requirements of the European Council Directive on Electromagnetic Compatibility (EMC Directive) 2014/30/EU.
- The identification plate of the instrument and the seals must not be removed or damaged – otherwise the guarantee and the approved application of the instrument are no longer valid!
- To achieve measurement stability of the meter it is necessary that the water quality meet the requirements of the AGFW-recommendation FW-510 and the document VDI (Association of German Engineers) VDI 2035.
- The heat meter left the factory in conformance with all applicable safety regulations. All maintenance and repair work is to be carried out only by qualified and authorized technical personnel.
- **Instruments with activated radio function are not allowed on air freight.**
- The correct installation point in the system must be chosen: inlet or outlet flow (see item 3.1 'Pictograms installation point').
- The temperature sensor cables and the cable between the calculator and flow sensor must not be kinked, rolled up, lengthened or shortened.
- To clean the heat meter (only if necessary) use a slightly moist cloth.
- To protect against damage and dirt the heat meter should only be removed from the packaging directly before installation.
- If more than one heat meter is installed in one unit, care must be taken to ensure that all the meters have the same installation conditions.
- All specifications and instructions listed on the data sheet and in the Application Notes must be adhered to. Further information can be obtained at www.engelmann.de.
- The heat meter has a lithium-metal-battery. Do not open the batteries, do not bring the batteries into contact with water or expose them to temperatures above 80 °C. Do not charge them or short-circuit them.



- Instruments which have been replaced or exchanged must be disposed of according to relevant environmental regulations.
- The display is deactivated and can be activated for two minutes by pushing the button.
- **Unit of energy and installation point (outlet flow / inlet flow) can be set on location, only once, before start of operation by pushing the button or alternatively using the „Device Monitor“ software.**
- **Type and concentration of glycol in the medium of those mechanical meter types designed to be used with glycol can be set on location at any time using the „Device Monitor“ software (see item 8.1 for details).**

3.1 Pictograms installation point

On the right in the meter display in all information loops you will find one of the following two pictograms. The pictogram indicates in which pipe the meter is to be mounted.

	Installation in outlet flow
	Installation in inlet flow

3.2 Pictograms type of meter (on type identification label)

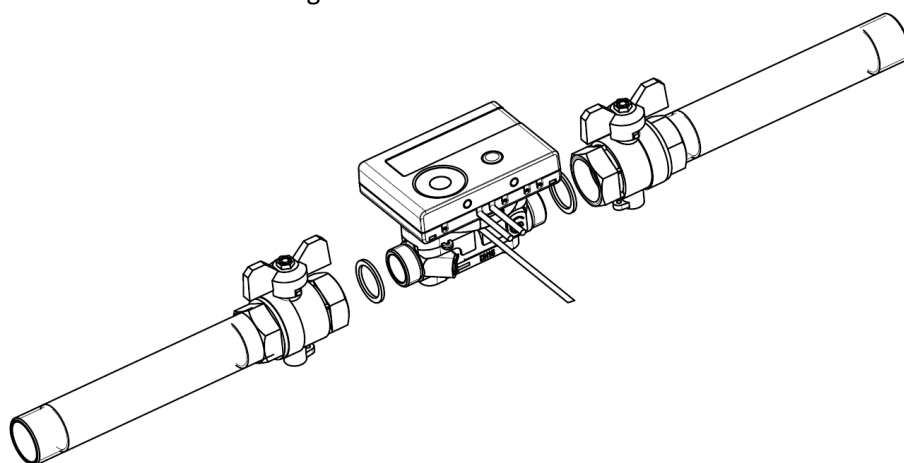
	Heat meter
	Cooling meter

4 Mounting the Flow Sensor

4.1 Mounting of SensoStar E, SensoStar Q and SensoStar U

- Flush the pipes professionally, taking care not to damage any system components. Then close all the shut-off valves.
- Open the nearest draining valve for pressure release.
- Drain the closed-off pipe section.
- Loosen the coupling rings and remove the old heat meter.
- Remove all old gaskets and clean the sealing surfaces. Insert new gaskets.
- Position the flow sensor correctly, taking into account the direction of flow (arrow on the side of the flow sensor)!
- Tighten the coupling rings.
- Rotate the calculator to the best position for read-out, or detach it and mount it nearby.

Note concerning **SensoStar U**: For the mounting in a heating system with a small quantity of air in the medium we recommend to overturn the meter through 90°.

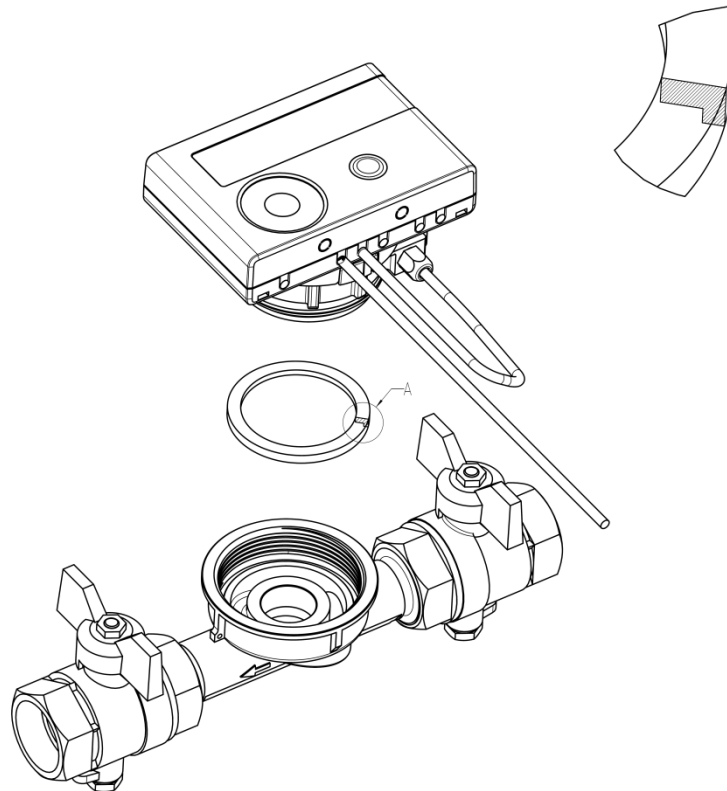


4.2 Installation of SensoStar I in a fix installed single pipe connection piece

The multi-jet flow sensor type MSH-IST has a 2" connection as described in EN ISO 4064-4 / EN 14154-2 (IST; interface for Ista heat meters) and must be installed without an adapter.

Mounting the flow sensor type MSH-IST in a single pipe connection piece

- Flush the pipes professionally, taking care not to damage any system components. Then close all the shut-off valves. Open the nearest draining valve for pressure release.
- Drain the closed-off pipe section.
- Take into account the direction of flow (check the connection piece)!
- Remove the overflow flange or the old heat meter from the connection piece using a wrench.
- Remove all old gaskets. Check sealing surfaces and threads for imperfections or dirt. If necessary, debur or clean with a suitable cleaning liquid.
- Place the new profile gasket into the connection piece with the flat surface facing up.
- Lubricate the external thread of the flow sensor with a thin layer of food safe silicon grease.
- Check that the O-ring on the outlet of the flow sensor is in the correct position.
- Screw in the heat meter tightly by hand and then tighten additionally with a suitable wrench to the mechanical end stop (metal-to-metal).
- Rotate the calculator to the best position for read-out, or detach it and mount it nearby.

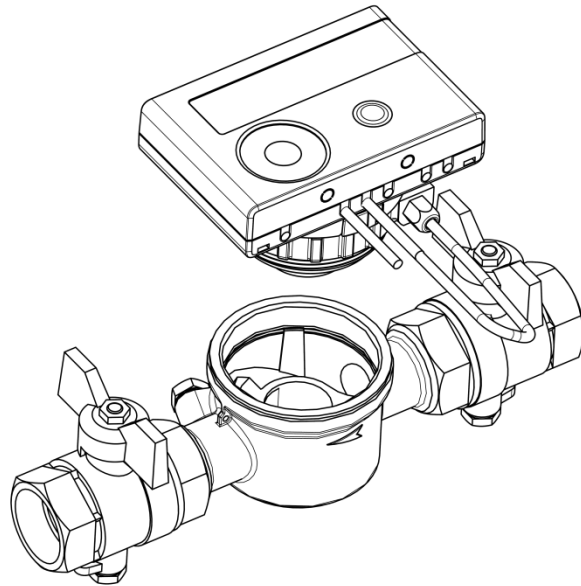


4.3 Installation of SensoStar T in a fix installed single pipe connection piece

The multi-jet flow sensor type MSH-TE1 has an M62x2 thread as described in EN ISO 4064-4 / EN 14154-2 (TE1; interface for Techem heat meters) and must be installed without an adapter.

Mounting the flow sensor type MSH-TE1 in a single pipe connection piece

- Flush the pipes professionally, taking care not to damage any system components. Then close all the shut-off valves. Open the nearest draining valve for pressure release.
- Drain the closed-off pipe section.
- Take into account the direction of flow (check the connection piece)!
- Remove the overflow flange or the old heat meter from the connection piece using a wrench.
- Remove all old gaskets. Check sealing surfaces and threads for imperfections or dirt. If necessary, debur or clean with a suitable cleaning liquid.
- Lubricate the external thread of the flow sensor with a thin layer of food safe silicon grease.
- Check that the O-ring on the outlet of the flow sensor is in the correct position.
- Screw in the heat meter tightly by hand and then tighten additionally with a suitable wrench to the mechanical end stop (metal-to-metal).
- Rotate the calculator to the best position for read-out, or detach it and mount it nearby.

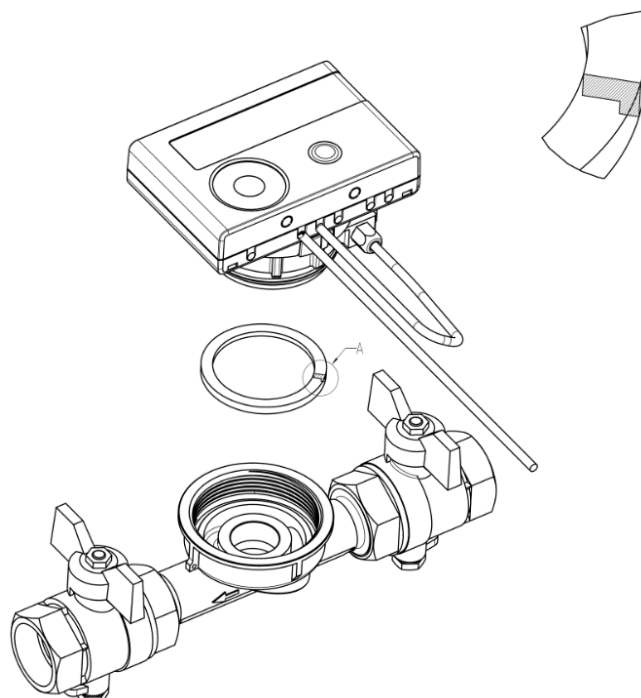


4.4 Installation of SensoStar M in a fix installed single pipe connection piece

The multi-jet flow sensor type MSH-M60 has an M60x1,5 thread as described in EN ISO 4064-4 / EN 14154-2 (M60; interface for Minol heat meters) and must be installed without an adapter.

Mounting the flow sensor type MSH-M60 in a single pipe connection piece

- Flush the pipes professionally, taking care not to damage any system components. Then close all the shut-off valves. Open the nearest draining valve for pressure release.
- Drain the closed-off pipe section.
- Take into account the direction of flow (check the connection piece)!
- Remove the overflow flange or the old heat meter from the connection piece using a wrench.
- Remove all old gaskets. Check sealing surfaces and threads for imperfections or dirt. If necessary, debur or clean with a suitable cleaning liquid.
- Place the new profile gasket into the connection piece with the flat surface facing up.
- Lubricate the external thread of the flow sensor with a thin layer of food safe silicon grease.
- Check that the O-ring on the outlet of the flow sensor is in the correct position.
- Screw in the heat meter tightly by hand and then tighten additionally with a suitable wrench to the mechanical end stop (metal-to-metal).
- Rotate the calculator to the best position for read-out, or detach it and mount it nearby.



4.5 Installation of SensoStar A in a fix installed single pipe connection piece

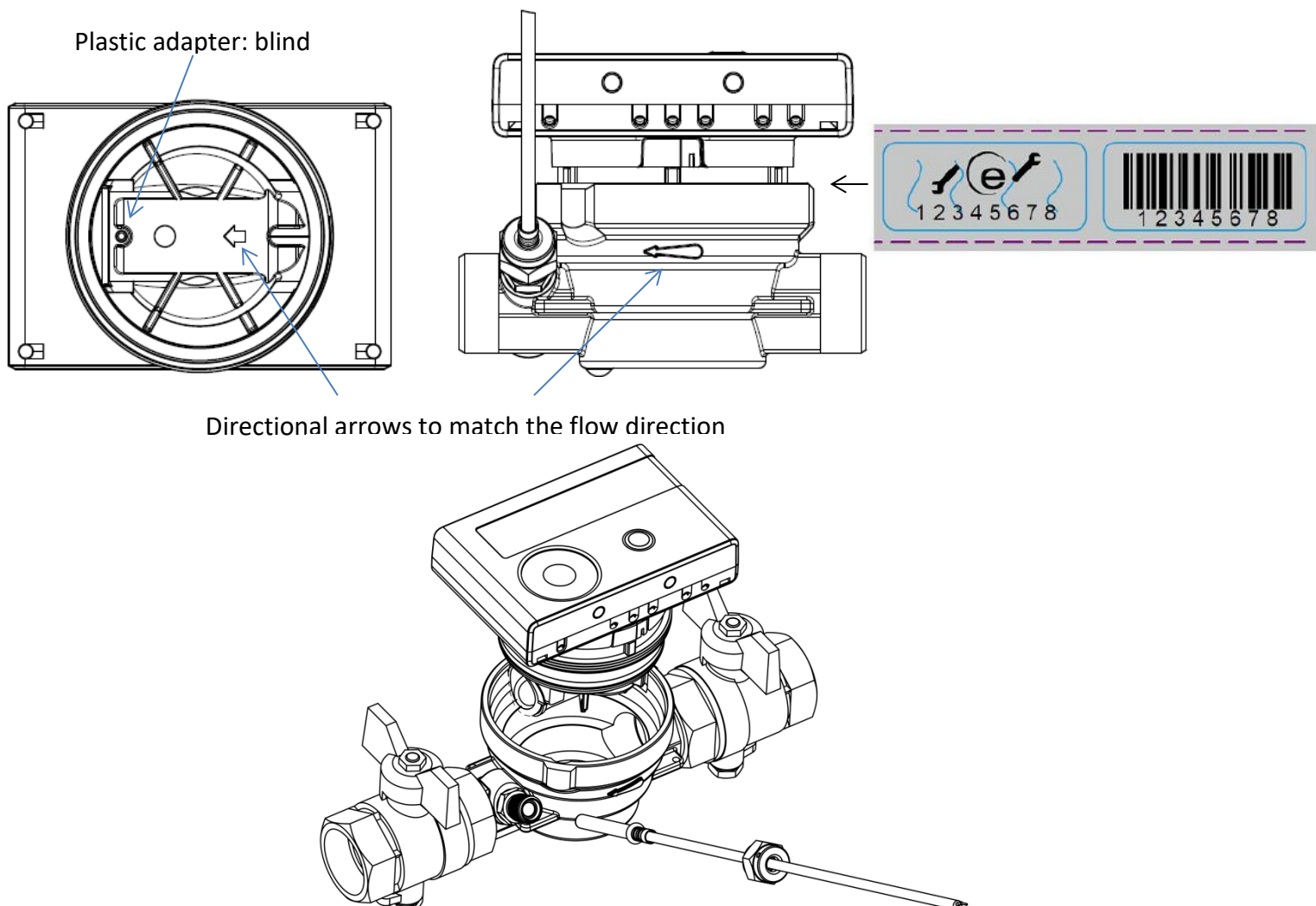
The multi-jet flow sensor type MSH-A1 has an M77x1,5 thread as described in EN ISO 4064-4 / EN 14154-2 (A1; interface for Allmess / Itron heat meters) and must be installed without a conversion adapter.

Mounting the flow sensor type MSH-A1 in a single pipe connection piece

- Flush the pipes professionally, taking care not to damage any system components. Then close all the shut-off valves. Open the nearest draining valve for pressure release.
- Drain the closed-off pipe section.
- Take into account the direction of flow (check the connection piece)!
- Remove the overflow flange or the old heat meter from the connection piece using a wrench.
- If a plastic adapter was mounted together with the old meter, it must also be removed.
- Check sealing surfaces and threads for imperfections or dirt. If necessary, debur or clean with a suitable cleaning liquid.
- Lubricate the external thread (M77x1,5) of the flow sensor and the O-ring (66,35x2,62) with a thin layer of food safe silicon grease.
- Screw in the heat meter tightly by hand and then tighten additionally with a suitable wrench to the mechanical end stop (metal-to-metal).
- Rotate the calculator to the best position for read-out, or detach it and mount it nearby.
- Use the enclosed numbered adhesive seal to seal the connection piece by sticking the seal on both connection piece and flow sensor so that they are connected with each other (required to protect against manipulation). The added bar code label can be used for the purpose of documentation.

Attention!

When installing, ensure correct positioning regarding the flow by paying attention to the directional arrows on the connection piece and on the bottom of the plastic adapter. Also, make sure that the blind hole in the plastic adapter is properly lined up with the metal pin in the inside bottom of the connection piece on the flow outlet. (In rare cases, this pin may not be present: In this case, it is not necessary for installation.)



5 Detachable Calculator

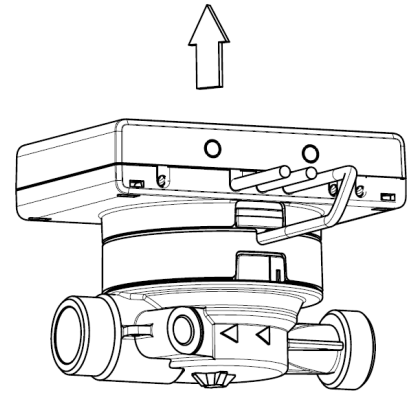
We also provide meters with detachable calculators, in order to simplify mounting in narrow installation spaces. To release the calculator pull it carefully up off the flow sensor.

For mounting the calculator on the wall, a wall support is latched onto the adapter of the flow sensor (between calculator and flow sensor). Remove the calculator. Hold the adapter of the flow sensor and rotate the wall mounting support anticlockwise until you can release it. Then attach the wall support at the desired place **with the flat surface towards the wall**.

We always recommend detaching the calculator from the flow sensor.

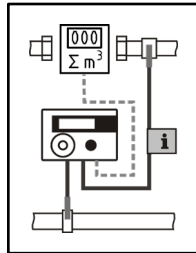
However, it is important to note that the calculator must be detached for the following versions:

- **Cooling and heat/cooling meters**
- **high temperature heat meter versions SensoStar U (temperature range up to 130 °C)**
- **high temperature heat/cooling meter versions SensoStar U (temperature range up to 120 °C).**



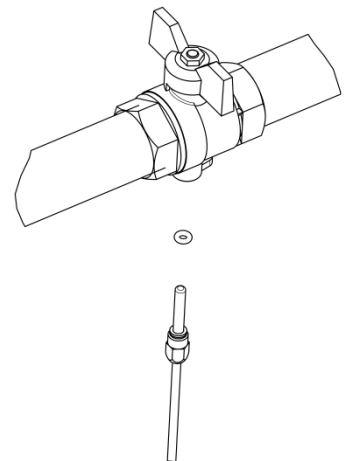
6 Mounting the Temperature Sensors

During installation of two exterior temperature sensors (symmetrical) make sure that the (right) temperature sensor with the following drawing is mounted into the same pipe line as the flow sensor:



6.1 Direct mounting (ball valve and T-piece)

- Remove the blind plug / old temperature sensor and gasket / old O-ring. Clean connection surfaces.
- **Slide the O-ring off the temperature sensor and insert it to the bottom of the threaded opening of the ball valve or the T-piece.**
- Hold the temperature sensor at the screw only and insert it into the ball valve or the T-piece and screw tightly.
- **In doing so the plastic clip is locked in the first crimp (viewed from the top of the protective sheath) and must not be moved.**

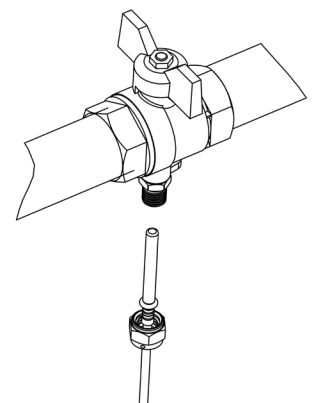


6.2 Direct mounting of the 6 mm temperature sensors of the SensoStar A

Important note:

Close the shut-off valves and make sure that no hot water can escape upon removal of the blind plug or the old temperature sensor!

- Prepare both temperature sensors: Push the O-ring into the first crimp (seen from the top of the protective sheath).
- Insert the temperature sensors into the measuring point of the connection piece, and ball valve or T-piece, and tighten using the coupling nuts.
- Reopen all ball valves and check installation points for leakage.
- Protect the installation points (meter and temperature sensors) against manipulation by securing with the seals and sealing wires.



7 Start of Operation

- Slowly open the shut-off valves.
- Check that there are no leaks.

Check the following points:

- Are all shut-off valves open?
- Is the meter of the right size?
- Is the heating (heating/cooling) system clear (dirt filters not clogged)?
- Is the temperature sensor installed in the flow sensor correctly sealed to the flow sensor?
- Does the directional arrow on the connection piece / flow sensor match the actual direction of flow?
- Is a flow volume displayed?
- Is a plausible temperature difference displayed?

When the meter is functioning properly, attach the seals to the exterior temperature sensors and the flow sensor (required to protect against manipulation).

8 Display

The calculator has a liquid crystal display with 8 digits and special characters. The values that can be shown are divided into five display loops. All data is retrieved using the push-button next to the display.

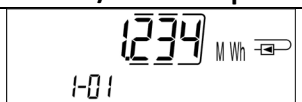

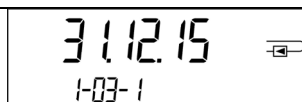
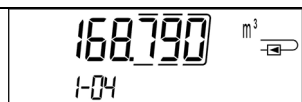

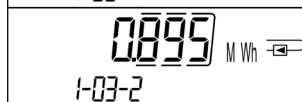

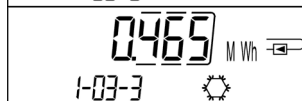

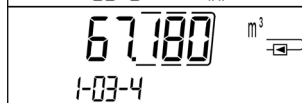
At the start you are automatically in the main loop (1st level).



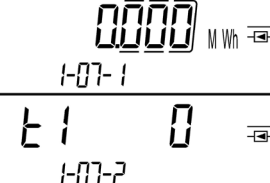

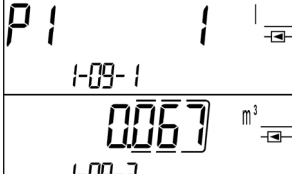
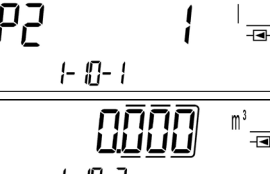
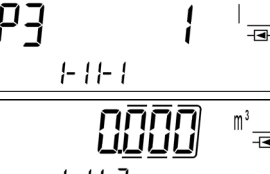
By pressing the push-button longer than 4 seconds you change to the next display loop. Keep the push-button pressed until you reach the desired information loop.

By pressing the push-button briefly each time you can scan all the information within a loop.

After 2 minutes of non-use of the push-button, the display will automatically be deactivated.

Level 1 / Main Loop:

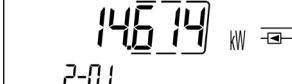
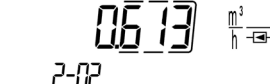

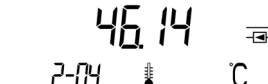

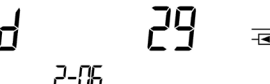


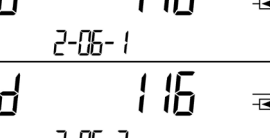
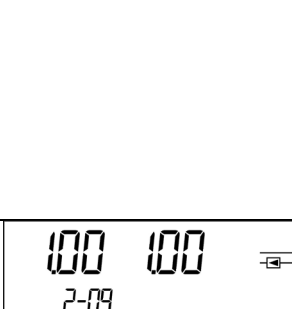
			
	<p>2) Segment test on / off (all segments triggered simultaneously)</p>		<p>4) Total flow volume in m³</p>
			
			
<p>1) Total heat energy since start of operation (standard display); alternating display: cooling energy (for heat/cooling meter); when negative flow; information message (if an error was detected)</p>		<p>3) Last reading date alternating with heat energy (cooling energy), volume, value tariff register 1, value tariff register 2 at last reading date.¹⁾ (If the meter has 3 pulse inputs, their values follow.²⁾)</p>	

			
<p>5) Current date alternating with time</p>	<p>6) Information message (alternating binary and hexadecimal display)</p>	<p>7) Tariff register 1: value alternating with tariff register no. and criteria</p>	<p>8) Tariff register 2: value alternating with tariff register no. and criteria</p>
			
<p>9) Pulse counter 1: pulse value alternating with reading²⁾</p>	<p>10) Pulse counter 2: pulse value alternating with reading²⁾</p>	<p>11) Pulse counter 3: pulse value alternating with reading²⁾</p>	

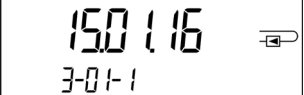
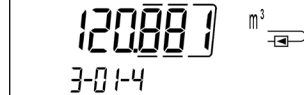




¹⁾ Up to the end of the month / the 15th of the month (for the semimonthly values) the consumption and date will be shown as 0.

²⁾ Three pulse inputs are an option. They can be set using the software „Device Monitor“.

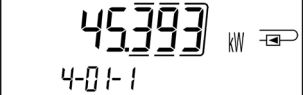



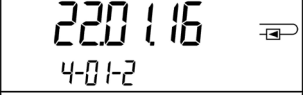
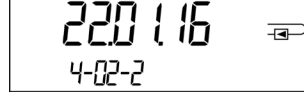
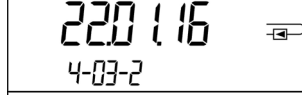
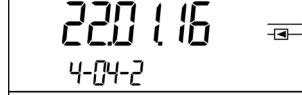
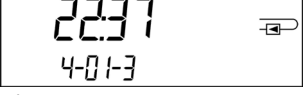

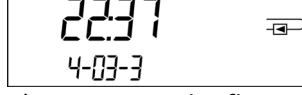
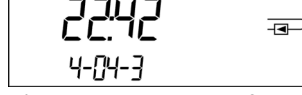

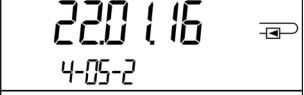
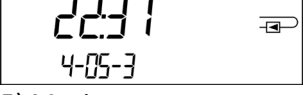
Level 2 / Technician's Loop:

			
<p>1) Current power in kW</p>	<p>2) Current flow in m³/h. (When negative flow, value is displayed negative.)</p>	<p>3) Inlet flow temperature in °C</p>	<p>4) Outlet flow temperature in °C</p>
			
<p>5) Temperature difference in K. (Cooling energy: Value is displayed negative.)</p>	<p>6) Before start of operation: days since manufacture</p>	<p>7) M-bus address</p>	<p>8) Serial number</p>
	<p>After start of operation: days since manufacture alternating with days of operation after reaching an energy value > 10 kWh</p>		
			
<p>9) Firmware version</p>			





Level 3 / Statistics Loop:

		1) – 30) Semimonthly values: date alternating with heat energy, cooling energy, volume, value tariff register 1, value tariff register 2. ¹⁾ (If the meter has 3 pulse	inputs, their values follow. ²⁾)
			
			

Level 4 / Maximum Values Loop:

			
			
			
1) Maximum power alternating with date and time	2) Maximum flow alternating with date and time	3) Maximum inlet flow temperature alternating with date and time	4) Maximum outlet flow temperature alternating with date and time
			
			
			
5) Maximum temperature difference alternating with date and time			

Level 5 / Parametrizing Loop:

			
			
1) Parametrizing „unit of energy“	2) Parametrizing „installation point“		

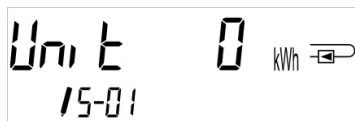
8.1 Parametrizing loop

a) The following characteristics of the meters can be set on location, **only once**, by pushing the button or alternatively using the „Device Monitor“ software:

- **unit of energy** (kWh; MWh; GJ; MMBTU; Gcal)
- **installation point** (inlet flow; outlet flow).

These parametrizing options are only available when the amount of energy is still <= 10 kWh. Make sure that these characteristics are set as needed before starting up the system.

Setup by pushing the button: In order to start the editing mode for parametrizing you must select the respective item in the parametrizing loop and then push the button once again for 2-3 seconds. As an aid, after 2 seconds the „editing pen“ will be displayed bottom left in the LCD (see below picture). As soon as it appears you have to let go of the button. Then the current display will start blinking.




By pressing the push-button briefly you can switch to the next option. By pressing the push-button longer the currently displayed option will be set. If no option is chosen there will be no change and as soon as the LCD goes out the edit mode will end automatically.

b) The following characteristic of those mechanical meter types designed to be used with glycol can be set on location **at any time** using the „Device Monitor“ software:

- **type and concentration of glycol in the medium** (propylene glycol; ethylene glycol; 20 %; 30 %; 40 %; 50%).

8.2 Detection of flow

As long as the meter detects some flow the following pictogram will be displayed bottom right in the LCD.

	flow detected
-----------------------------------------------------------------------------------	---------------

9 Application Conditions

SensoStar		
Maximum flow qs/qp		2:1
Mechanical class		M2
Electromagnetic class		E2
Environmental class		C
Protection class flow sensor		IP65
Nominal pressure PN	bar	16
Mounting position		any, if there is no indication on type label
Flow sensor of SensoStar E and SensoStar multi-jet heat meters		
Temperature range medium heat	°C	15 – 90
Temperature range medium cooling	°C	5 – 50 (qp 1,5 and qp 2,5)
Flow sensor of SensoStar U		
Temperature range medium heat	°C	15 – 90 15 – 130 high temperature (150; for maximal 2000 h) (optional)
Temperature range medium cooling	°C	5 – 50 (from qp 1,5 to qp 10)
Temperature range medium heat/cooling	°C	15 – 90 heat 15 – 120 high temperature (optional) 5 – 50 cooling
Calculator		
Ambient temperature in the field	°C	5 – 55 at 95 % relative humidity
Transport temperature	°C	-25 – 70 (for maximal 168 h)
Storage temperature	°C	-25 – 55
Protection class		IP65

10 Interfaces and Options

10.1 Optical (infrared) interface

For communication with the optical interface an optocoupler and the “Device Monitor” software are necessary. The optocoupler and “Device Monitor” are available as accessory equipment.

The optical infrared interface will be activated by automatically sending a header (according to EN 13757-3). Baud rate: 2400 baud.

Then you can communicate with the meter for 4 seconds. After every valid communication the meter is open for another 4 seconds. Afterwards the display is deactivated.

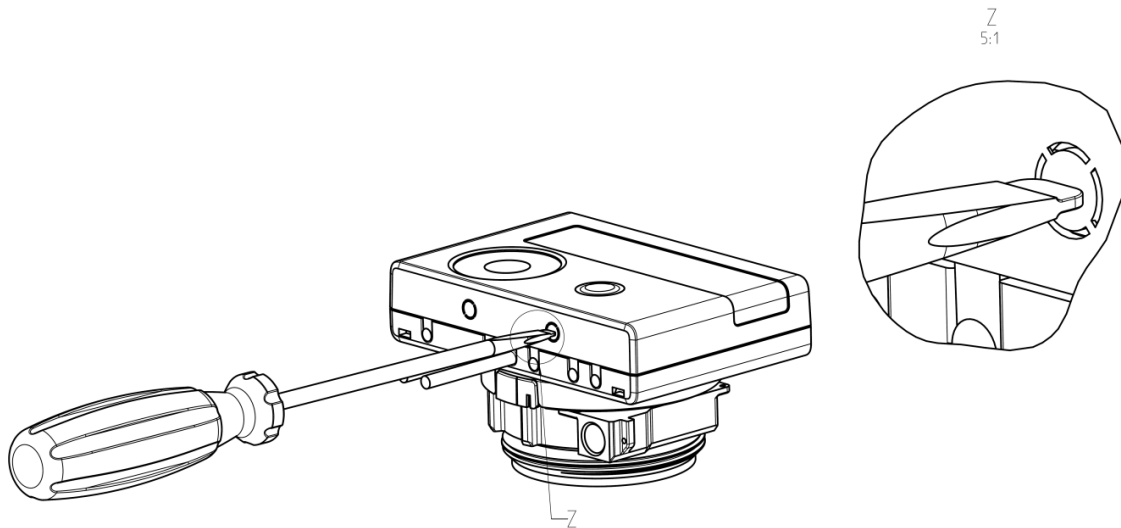
The number of read-outs per day via the optical interface is limited. During daily read-out at least 4 communications are possible. If read-outs are carried out more rarely, the possible number of communications will increase.

10.2 Retrofitting with an additional communication interface (optional)

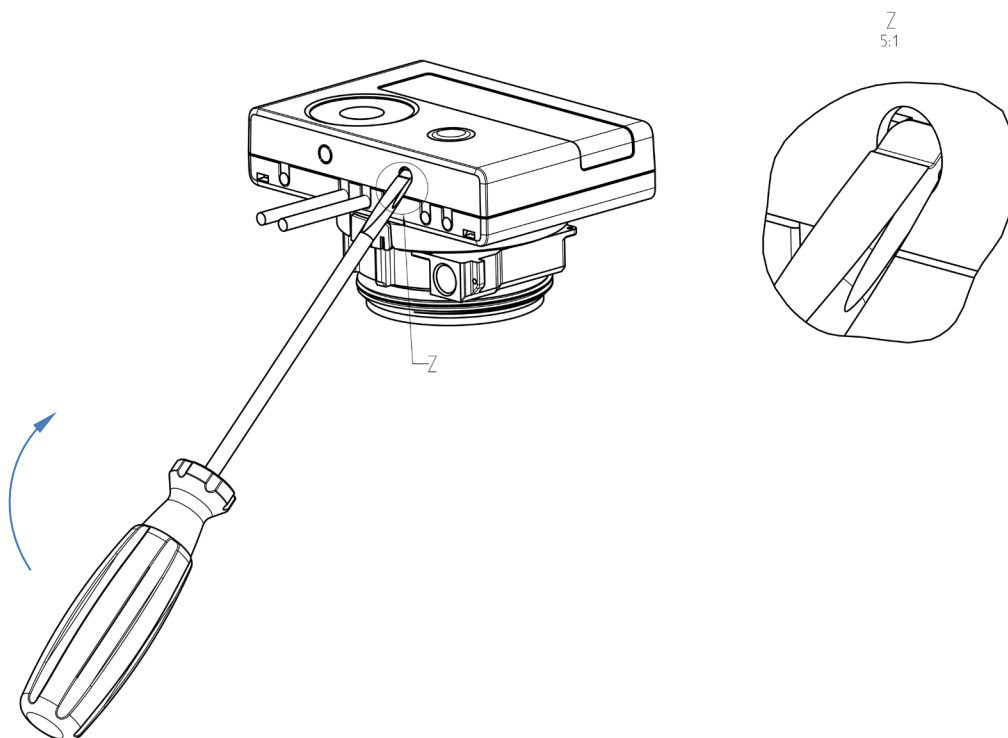
We also offer a retrofitable meter to which communication interfaces can be added later. You will find the description of our optional interfaces in the operating instructions „Communication Interfaces S3(C)“.

To retrofit such a meter with an additional communication interface the calculator's adhesive seal has to be destroyed and the device's calculator to be opened. **When the calculator is open please observe the ESD requirements according to EN 61340-5-1.**

Use a screwdriver with a wide tip (4 - 5 mm) and carefully press in the two round predetermined breaking points above the cable feedthroughs (see picture 1).



Then insert the screwdriver into one of the two openings at an angle of approx. 45° and carefully lift the handle up to approx. 90° (see picture 2). The upper housing piece of the calculator is then no longer latched on this side. Repeat this with the other opening. Now the upper housing piece can be taken off.



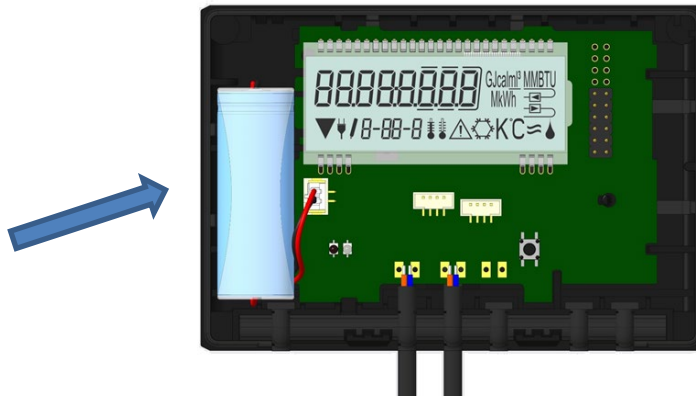
Plug the interface module on the right side of the PC board. The cables are to be fed through the rightmost cable feedthroughs into the calculator after removing the blind grommets. Close the calculator.

Protect the calculator against unauthorized opening using one of the numbered adhesive seals enclosed to the modules (stick it upon the seal destroyed). The added bar code label can be used for the purpose of documentation.

10.3 Exchanging the Battery

The meter's battery is easy to exchange by authorized technical personnel (our replacements only). Replaced batteries must be disposed of according to relevant environmental regulations.

To exchange the battery open the meter's calculator as described above in 10.2. Afterwards protect the calculator against unauthorized opening using one of the numbered adhesive seals enclosed to the batteries (stick it upon the seal destroyed). The added bar code label can be used for the purpose of documentation.

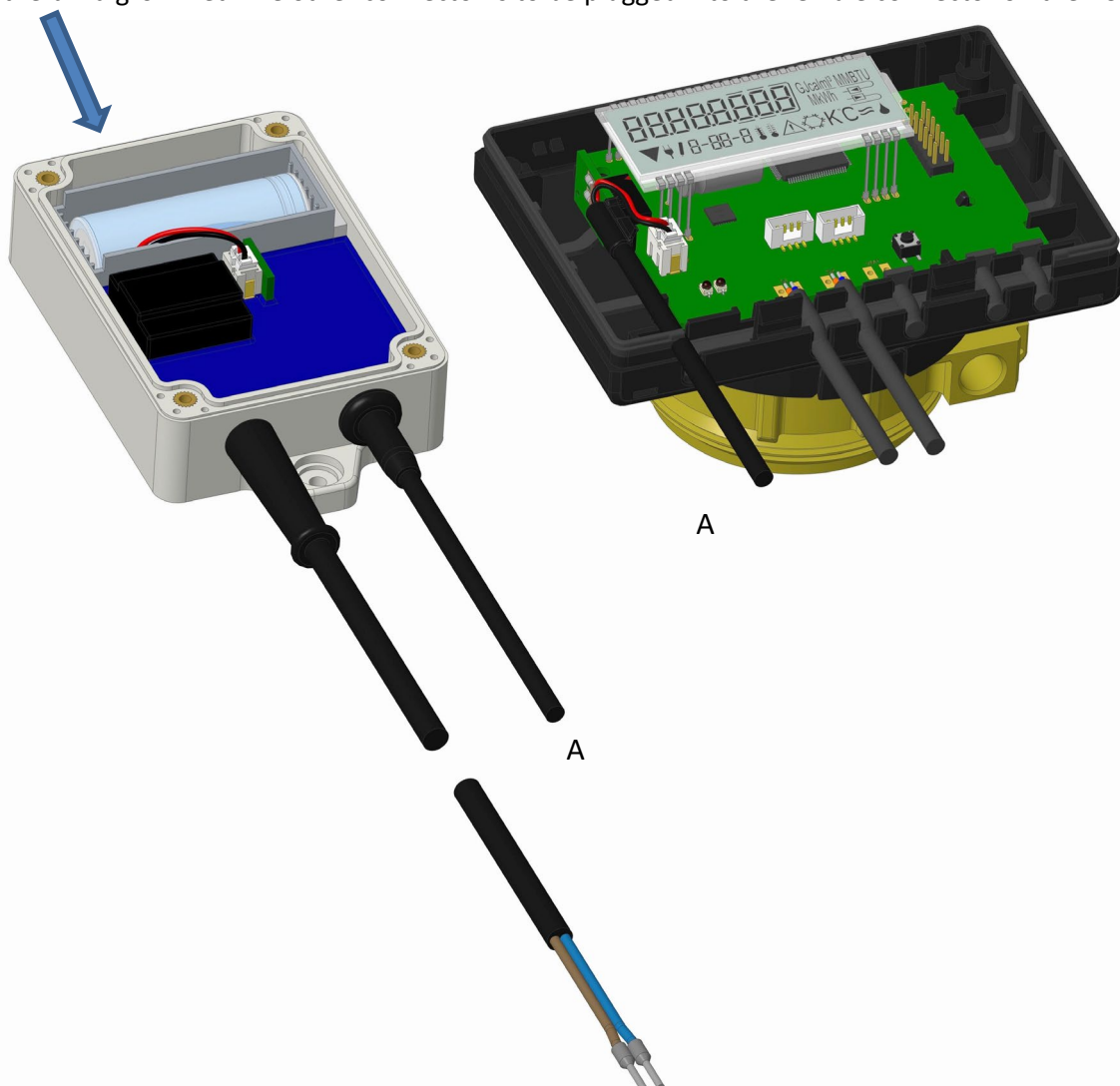


10.4 Mounting a power pack

If an external power supply is needed, only the power pack designed for our heat meter may be used.

To connect the power pack, first open the meter's calculator as described above in 10.2. Then remove the battery from the calculator and plug it into the battery connector in the power pack. Protect the power pack against unauthorized opening using one of the numbered adhesive seals enclosed. The added bar code label can be used for the purpose of documentation. (The battery is a backup in case of a power outage.)

The power pack cable (A) has two connectors; plug the one connector onto the contact fingers on the left hand side of the PC board. Then feed the cable through the meter's leftmost cable feedthrough (viewed from the front) after removing the blind grommet. The other connector is to be plugged into the female connector on the PC board.



Only authorized technical personnel may connect the power pack to the 230 V mains supply and check it.

When the meter detects external power supply the pictogram of a mains plug appears in the display lower left.

Close the calculator.

Protect the calculator against unauthorized opening using one of the numbered adhesive seals enclosed to the power pack (stick it upon the seal destroyed). The added bar code label can be used for the purpose of documentation.



11 Information Messages

When the instrument has detected an information message, the message symbol is displayed:

The specific message can be found at menu item 6 'Information message' in level 1 / main loop (see section 8, Display). The message code is displayed alternately in binary and hexadecimal form.

The instrument recognizes eight message causes, which can also occur in combination with each other.

Hexadecimal display	Description	Binary display
H 80	Low battery	1 at first place
H 40	Instrument has been reset	1 at second place
H 20	Electronics defective	1 at third place
H 10	Error in flow measurement system	1 at fourth place
H 08	Temperature sensor 2 short circuit	1 at fifth place
H 04	Temperature sensor 2 cable break	1 at sixth place
H 02	Temperature sensor 1 short circuit	1 at seventh place
H 01	Temperature sensor 1 cable break	1 at eighth place

„Temperature sensor 1“ is the right temperature sensor (viewed from the front).

Example: Temperature sensor 1 cable break

Message	Low battery	Reset	Electronics defective	Error in flow measurement system	Temperature sensor 2 short circuit	Temperature sensor 2 cable break	Temperature sensor 1 short circuit	Temperature sensor 1 cable break	Alternating hexadecimal message displayed (LCD)
Bit	7	6	5	4	3	2	1	0	
Display location	1	2	3	4	5	6	7	8	
Alternating binary message displayed (LCD)									

When a message appears in the standard display (total heat energy), with the exception of the messages

- Low battery (H 80)
- Reset (H 40)
- Error in flow measurement system (H 10; in the case of air in the ultrasonic measuring tube),

the instrument must be exchanged and sent to the supplier for examination.

11.1 Message description

Display	Message	Effect	Possible cause
H 80	Low battery	No influence on the calculation	Adverse environmental conditions; long operating time
H 40	Reset	No influence on the calculation	EMC, electromagnetic interference
H 20	Electronics defective	No energy calculations are carried out. The register for energy is not being updated (no new data is being stored).	Defective component, defect on the calculator PC board
H 10	Error in flow measurement system	No calculations are carried out. The registers for volume and energy are not being updated (no new data is being stored).	Connecting cable between the calculator housing and flow sensor damaged <u>Ultrasonic flow sensor:</u> Air in the system; contaminated flow sensor <u>Mechanical flow sensor:</u> Scanning is not functioning properly
H 08	Temperature sensor 2 short circuit	No energy calculations. The register for energy is not being updated (no new data is being stored).	Sensor cable damaged
H 04	Temperature sensor 2 cable break	No energy calculations. The register for energy is not being updated (no new data is being stored).	Sensor cable damaged
H 02	Temperature sensor 1 short circuit	No energy calculations. The register for energy is not being updated (no new data is being stored).	Sensor cable damaged
H 01	Temperature sensor 1 cable break	No energy calculations. The register for energy is not being updated (no new data is being stored).	Sensor cable damaged

12 Manufacturer

Engelmann Sensor GmbH
Rudolf-Diesel-Str. 24-28
69168 Wiesloch-Baiertal
Germany

Tel: +49 (0)6222-9800-0
Fax: +49 (0)6222-9800-50
E-Mail: info@engelmann.de
www.engelmann.de

Operating Instructions

Communication Interfaces S3(C)

1 Interfaces and Options

1.1 Optical (infrared) interface

For communication with the optical interface an optocoupler and the “Device Monitor” software are necessary.

The optocoupler and “Device Monitor” are available as accessory equipment.

The optical infrared interface will be activated by automatically sending a header (according to EN 13757-3). Baud rate: 2400 baud.

Then you can communicate with the meter for 4 seconds. After every valid communication the meter is open for another 4 seconds. Afterwards the display is deactivated.

The number of read-outs per day via the optical interface is limited. During daily read-out at least 4 communications are possible. If read-outs are carried out more rarely, the possible number of communications will increase.

1.2 M-Bus (optional)

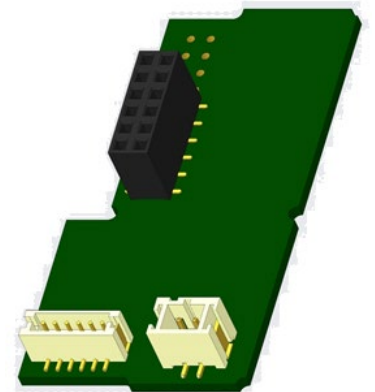
The M-Bus is a galvanically isolated interface for the transmission of meter data (absolute values).

General information about the M-Bus interface:

It is important to note that the acknowledged state of the art technology rules and the relevant legal restraints (international and local; see “Relevant Norms / Standards / Literature M-Bus”) are to be observed.

The installation has to be performed by authorized, skilled persons.

If the regulations and the information in the installation and operating instruction manuals are not strictly followed, or if the installation is shown to be faulty, any resulting expenses will be charged to the company responsible for the installation.



Recommended type of cable: Telephone cable J-Y(ST)Y 2x2x0.8mm².

It is important to make sure that the topology of the M-Bus network (cable lengths and cross-sections) is suitable for the **baud rate (2400 Bd)** of the end instruments.

1.2.1 Relevant norms / standards / literature M-Bus

IEC 60364-4-41 (2005-12)	Low-voltage electrical installations - Part 4-41: Protection for safety - Protection against electric shock
IEC 60364-4-44 (2007-08)	Low-voltage electrical installations - Part 4-44: Protection for safety - Protection against voltage disturbances and electromagnetic disturbances
IEC 60364-5-51 (2005-04)	Electrical installations of buildings - Part 5-51: Selection and erection of electrical equipment - Common rules
IEC 60364-5-54 (2011-03)	Low-voltage electrical installations - Part 5-54: Selection and erection of electrical equipment - Earthing arrangements and protective conductors
EN 50310 (2011)	Application of equipotential bonding and earthing in buildings with information technology equipment
EN 13757-1_2015, -2_2004, -3_2013	Communication systems for meters and remote reading of meters
The M-Bus	A Documentation, Version 4.8, M-Bus User group

1.2.2 Additional technical specifications

The installation has to fulfill the requirements of the relevant norms / standards / literature (see paragraph 2.1) and the specifications as follows:

Maximum voltage M-Bus	42 V
Minimum voltage M-Bus	24 V

Maximum ripple voltage	200 mV; EN 13757-2_2004; 4.3.3.6
Maximum voltage potential differences	2 V

1.2.3 Technical data M-Bus

Primary address	0 (factory setting); 1 - 250 (configurable)
Baud rate	2400; 300
Connecting cable length	1 m
Number of possible read-outs	unlimited
Refresh of data	120 s; using a power pack: 2 s

1.3 Radio interface wireless M-Bus EN 13757-3, -4 (optional)

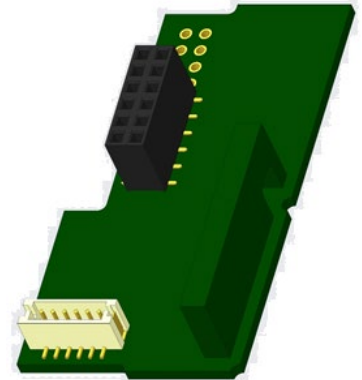
The radio interface is for the transmission of meter data (absolute values).

General information about the radio interface:

Installation of radio components between or behind heating pipes, or the presence of other bulky metallic obstacles directly over or in front of the housing must be avoided.

The transmission quality (range, telegram processing) of radio components can be negatively influenced by instruments or equipment with electromagnetic emissions, such as telephones (particularly LTE mobile radio standard), wi-fi routers, baby monitors, remote control units, electric motors, etc.

In addition, the construction of the building has a strong influence on the transmission range and coverage. Furthermore, when using installation boxes (substations) they must be equipped with non-metallic covers or doors.



The factory-setting of the clock in the meter is standard (winter) Central European Time (GMT +1). There is no automatic changeover to daylight savings (summer) time.

The radio function is deactivated upon delivery (factory-setting). See section “Activation of the radio interface”.

1.3.1 Technical data radio

Frequency	868 MHz
Transmission power	up to 12 dBm
Protocol	wireless M-Bus based on EN 13757-3, -4
Selectable modes	S1 / T1 / C1
Telegrams	<ul style="list-style-type: none"> - short telegram in conformity to AMR (OMS-Spec_Vol2_Primary_v301 and _v402): energy (heat/cooling energy, pulse input 1 to pulse input 3), total volume, flow, power, information message, outlet flow temperature, temperature difference - long telegram for walk-by read-out: energy (heat/cooling energy, pulse input 1 to pulse input 3), total volume, information message, 15 monthly or 30 semimonthly values (compact mode)
Encryption	AES: Advanced Encryption Standard; key length: 128 bits

1.3.2 Radio configuration

Parameter	Possible settings	Factory setting (Battery lifetime, estimated: 10 years)
Mode	S1 / T1 / C1; unidirectional	T1 (unidirectional)
Transmission period	00:00 - 24:00; any time period in the day	8:00 am - 6:00 pm
Transmission interval	10 seconds - 240 minutes	120 seconds (heat meters)
Weekdays	Monday – Sunday (any weekday)	Monday - Friday
Weeks in a month	1 – 4 (4: uninterrupted, incl. a possible 5 th week)	1 – 4 (4: uninterrupted)
Months	1 - 12	1 - 12
Radio activation date	01.01. - 31.12. (day. month)	not set

AES-128-Encryption	<ul style="list-style-type: none"> - not encrypted; - encrypted according to MODE 5 or MODE 7: <ul style="list-style-type: none"> - Master Key - key per instrument 	Master Key
Type of telegram	<ul style="list-style-type: none"> - short telegram in conformity to AMR (OMS-Spec_Vol2_Primary_v301 and _v402) - long telegram for walk-by read-out 	long telegram (walk-by)

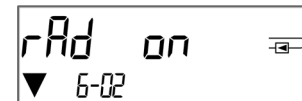
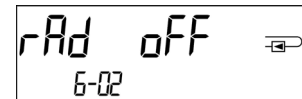
1.3.3 Activation of the radio interface

The radio interface **leaves the factory deactivated**. It can be activated as follows:

a) The radio function can be activated by pressing the push-button.

Press the push-button until you change to the display loop "6" (module loop). Then change with a brief keystroke to the 2nd item "rad(io) off" (see picture).

In order to start the editing mode you afterwards must press the push-button once again for 2-3 seconds. As an aid, after 2 seconds the "editing pen" will be displayed bottom left in the LCD. As soon as it appears you have to let go of the button. Now the display shows "rad(io) on" and in all display loops a black triangle (see picture).



b) The radio function can also be activated using the software "Device Monitor". This software can be ordered separately as an option.

The radio function can only be deactivated using the software "Device Monitor".

After activation of the radio function or modification of the radio parameters the meter remains in installation mode for 60 minutes. During this time he sends telegrams in a 36-seconds-interval.

If using the **compact mode**, after activation the meter transmits during installation mode format telegrams and compact telegrams alternately.

During installation mode at least one meter of the version being installed (inlet or outlet flow, heat or heat/cooling, pulse inputs, display units) must be read out with the Engelmann "Read-out Software walk-by". The format of the telegram will be stored locally in the PC in an .xml file.

After completion of the installation mode only compact telegrams will be transmitted.

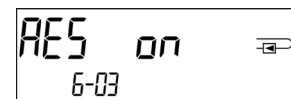
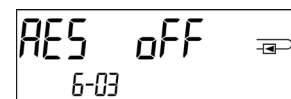
1.3.4 Later activation of the radio encryption

The AES encryption can also be activated later. It can be activated as follows:

a) The encryption can be activated by pressing the push-button.

Press the push-button until you change to the display loop "6" (module loop). Then change with a brief keystroke to the 3rd item "AES off" (see picture).

In order to start the editing mode you afterwards must press the push-button once again for 2-3 seconds. As an aid, after 2 seconds the "editing pen" will be displayed bottom left in the LCD. As soon as it appears you have to let go of the button. Now the display shows "AES on" (see picture).



b) The encryption can also be activated using the software "Device Monitor". This software can be ordered separately as an option.

The encryption can only be deactivated using the software "Device Monitor".

1.4 Three additional pulse inputs (optional; only in conjunction with M-Bus or radio)

With this option, additional instruments with pulse outputs can be read out via optical interface, M-Bus or radio.

General information about pulse inputs:

It is important to note that the acknowledged state of the art technology rules and the relevant legal restraints (international and local; see "Relevant Norms / Standards / Literature Pulse Inputs") are to be observed.

The installation has to be performed by authorized, skilled persons.

If the regulations and the information in the installation and operating instruction manuals are not strictly followed, or if the installation is shown to be faulty, any resulting expenses will be charged to the company responsible for the installation.

1.4.1 Relevant norms / standards / literature pulse inputs

IEC 60364-4-41 (2005-12)	Low-voltage electrical installations - Part 4-41: Protection for safety - Protection against electric shock
IEC 60364-4-44 (2007-08)	Low-voltage electrical installations - Part 4-44: Protection for safety - Protection against voltage disturbances and electromagnetic disturbances
IEC 60364-5-51 (2005-04)	Electrical installations of buildings - Part 5-51: Selection and erection of electrical equipment - Common rules
IEC 60364-5-54 (2011-03)	Low-voltage electrical installations - Part 5-54: Selection and erection of electrical equipment - Earthing arrangements and protective conductors
EN 50310 (2011)	Application of equipotential bonding and earthing in buildings with information technology equipment
EN 1434-2 (2016)	Heat Meters - Part 2: Constructional requirements

1.4.2 Technical data pulse inputs

Pulse input class	IB according to EN 1434-2:2016
Connecting cable length	1 m
Voltage supply	+ 3 V DC
Source current	= 1,5 μ A
High level input threshold	$U \geq 2$ V
Low level input threshold	$U \leq 0,5$ V
Pull-up resistor	2 M Ω
Pulse length	≥ 100 ms
Pulse frequency	≤ 5 Hz

1.4.3 Possible combinations of the different input (class IB) and output (class OA) devices

	Class IA	Class IB	Class IC	Class ID	Class IE
Class OA	yes	yes	no	yes	no
Class OB	yes	no	no	yes	yes
Class OC	no	yes	yes	no	no
Class OD	no	no	yes	no	no
Class OE	no	no	no	no	yes

1.4.4 Setting up the three additional pulse inputs

The optional pulse inputs 1 + 2 + 3 for external meters can be set up using the "Device Monitor" configuration software. You can configure serial number, manufacturer, version (0 ... 255), medium code, input pulse value, unit and starting value of the external meters.

1.4.5 Set-up possibilities

Pulse value	Units
1	liters / kWh / pulse without unit
2,5	liters / kWh / pulse without unit
10	liters / kWh / pulse without unit
25	liters / kWh / pulse without unit
100	liters / kWh / pulse without unit
250	liters / kWh / pulse without unit
1000	liters / kWh / pulse without unit

Installation notes for pulse inputs:

It is important that the pulse cables not be affected by (or exposed to) an external voltage!

Check the polarity of pulse generators with “open collector” outputs.

The cable wires must not touch each other during installation, otherwise pulses will be counted in the instrument. When setting up the meter it may be necessary to adjust the meter reading of the instruments connected and the pulse value using the “Device Monitor” software.

For transmitting the values of the pulse inputs via radio, transmission must be set using the “Device Monitor” software, if the meters were not already ordered with the transmission of these values set.

Select the menu item „Parameterization of the module“ in the software. Set the radio transmission in the menu item „Transmission of values for the pulse inputs“. (The transmission of these values via M-Bus is always set in the factory setting.)

1.4.6 Pin assignments 6-wire cable

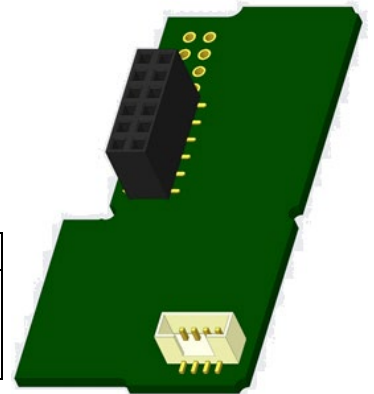
Color	Connection
Pink	IE1+
Grey	IE1⊥
Yellow	IE2+
Green	IE2⊥
Brown	IE3+
White	IE3⊥

1.5 One potential-free pulse output (optional)

Important note: This module can be used for the compact heat meter S3 from firmware version 1.03 on, for the calculator S3C from firmware version 1.00 on.

The potential-free pulse output provides counting pulses of the meter.

The pulse output closes corresponding to the pulse value, see item „pulse value pulse output 1“ in display loop “6” (module loop).



	Heat meter	Cooling meter	Heat/cooling meter
Possible settings pulse output 1	heat energy (factory setting) or volume	cooling energy (factory setting) or volume	heat energy (factory setting) or volume

From firmware version 1.03 (S3) and 1.00 (S3C) on the meter recognizes nominal size and unit of energy and autonomously sets the pulse values for energy and volume according to the following notes.

S3 - pulse output for energy:

	Display shows kWh / MWh	Display shows Gcal	Display shows GJ	Display shows MMBTU
q _p 0,6 m ³ /h	1 kWh/pulse	1 Mcal/pulse	10 MJ/pulse	10 MMBTU/pulse
q _p 1,5 m ³ /h	1 kWh/pulse	1 Mcal/pulse	10 MJ/pulse	10 MMBTU/pulse
q _p 2,5 m ³ /h	1 kWh/pulse	1 Mcal/pulse	10 MJ/pulse	10 MMBTU/pulse
q _p 3,5 m ³ /h	10 kWh/pulse	10 Mcal/pulse	10 MJ/pulse	10 MMBTU/pulse
q _p 6 m ³ /h	10 kWh/pulse	10 Mcal/pulse	10 MJ/pulse	10 MMBTU/pulse
q _p 10 m ³ /h	10 kWh/pulse	10 Mcal/pulse	10 MJ/pulse	10 MMBTU/pulse

S3 - pulse output for volume:

The pulse value for volume is always determined as follows: Display shows m³ -> pulse value: 100 l/pulse (0,1 m³/pulse).

S3C - pulse output for energy:

The pulse value for energy is always determined by **the second-to-last place** of the energy display.

Examples:

- Display: 0 kWh -> pulse value: 10 kWh/pulse
- Display: 0,000 MWh -> pulse value: 0,01 MWh/pulse
- Display: 0,000 GJ -> pulse value: 0,01 GJ/pulse.

S3C - pulse output for volume:

The pulse value for volume is always determined by **the third-to-last place** of the volume display. Examples:

- Display: 0,000 m³ -> pulse value: 100 l/pulse (0,1 m³/pulse)
- Display: 0 m³ -> pulse value: 100 m³/pulse.

1.5.1 Pin assignments 4-wire cable

Color	Connection
Yellow	IA1
Green	IA1
Brown / White	not reserved

1.5.2 Technical data for one pulse output and two pulse outputs

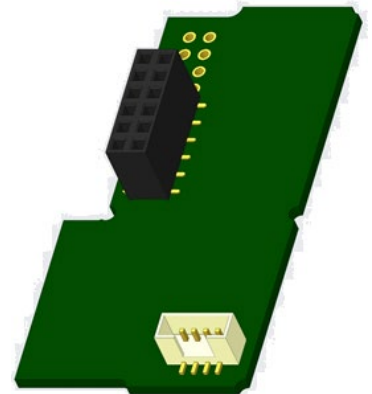
Pulse outputs class	OA (electronic switch) according to EN 1434-2:2016
Connecting cable length	1 m
Switching voltage, maximum	30 V
Switching current, maximum	27 mA
Contact resistance (on) max.	74 Ω
Contact resistance (off) min.	6 MΩ
Closure time	100 ms
Interval between pulses	100 ms

1.6 Two potential-free pulse outputs (optional)

The potential-free pulse outputs provide counting pulses of the meter.

The pulse outputs close corresponding to the pulse value, see items „pulse value pulse output 1“ and „pulse value pulse output 2“ in display loop “6” (module loop).

	Heat meter	Cooling meter	Heat/cooling meter
Pulse output 1	heat energy	cooling energy	heat energy
Pulse output 2	volume	volume	cooling energy



Pulse outputs for energy:

The pulse value for energy is always determined by **the last place** of the energy display.

Examples:

- Display: 0 kWh -> pulse value: 1 kWh/pulse
- Display: 0,000 MWh -> pulse value: 0,001 MWh/pulse
- Display: 0,000 GJ -> pulse value: 0,001 GJ/pulse

Pulse outputs for volume:

The pulse value for volume is always determined by **the second-to-last place** of the volume display.

Example:

- Display: 0,000 m³ -> pulse value: 10 l/pulse (0,01 m³/pulse)

1.6.1 Pin assignments 4-wire cable

Color	Connection
Yellow	IA1
Green	IA1
Brown	IA2
White	IA2

2 Retrofitting with an Additional Communication Interface

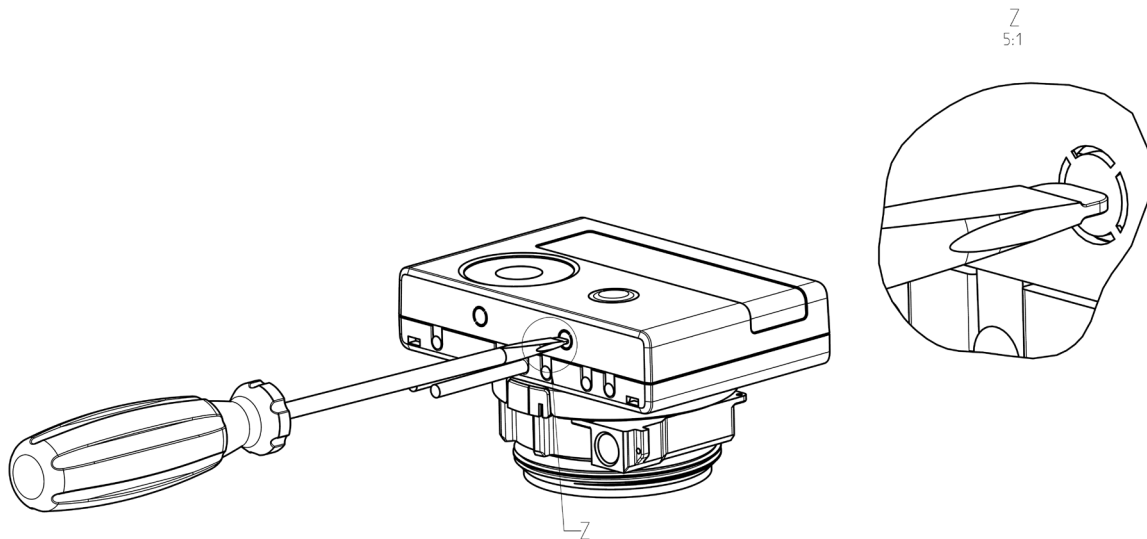
During installation of the retrofitting module observe the ESD requirements according to EN 61340-5-1.

This means that on location an antistatic wrist strap with an integrated 1 M Ω resistor has to be used which must be connected to a proper spot: This is either a grounded pipe or – only with an appropriate adapter! – a Schuko plug grounding socket. The antistatic wrist strap must be worn tightly on the skin of the wrist.

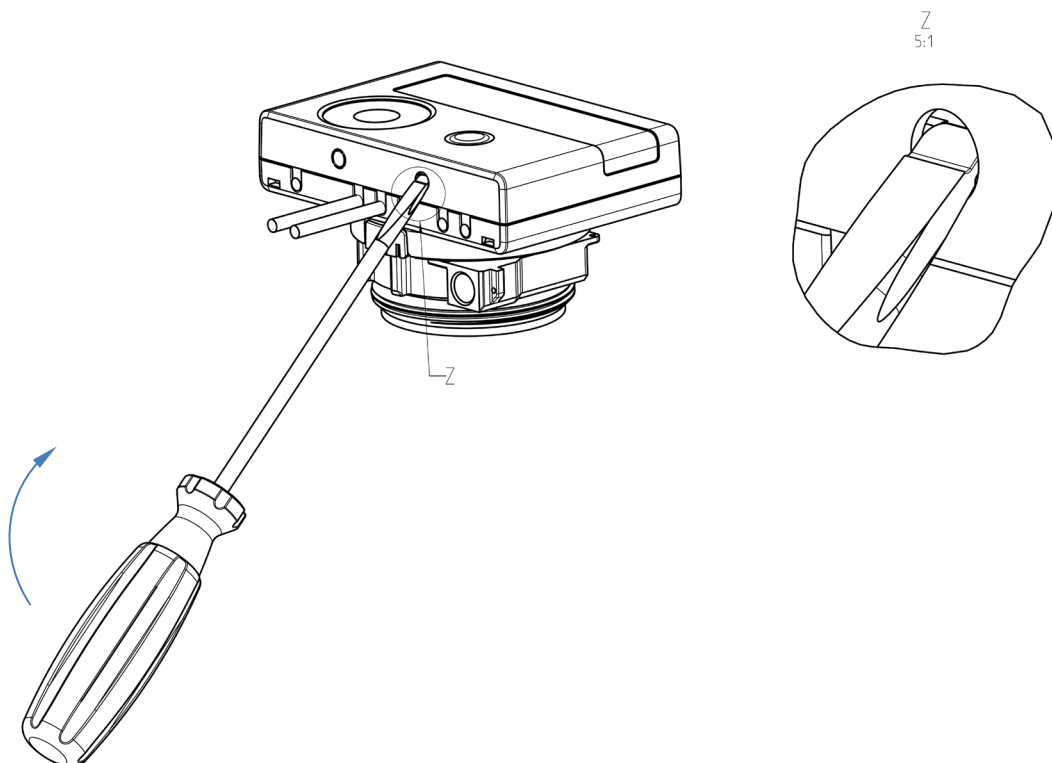
2.1 Retrofitting S3 with an additional communication interface (optional)

We also offer a retrofittable meter to which communication interfaces can be added later.

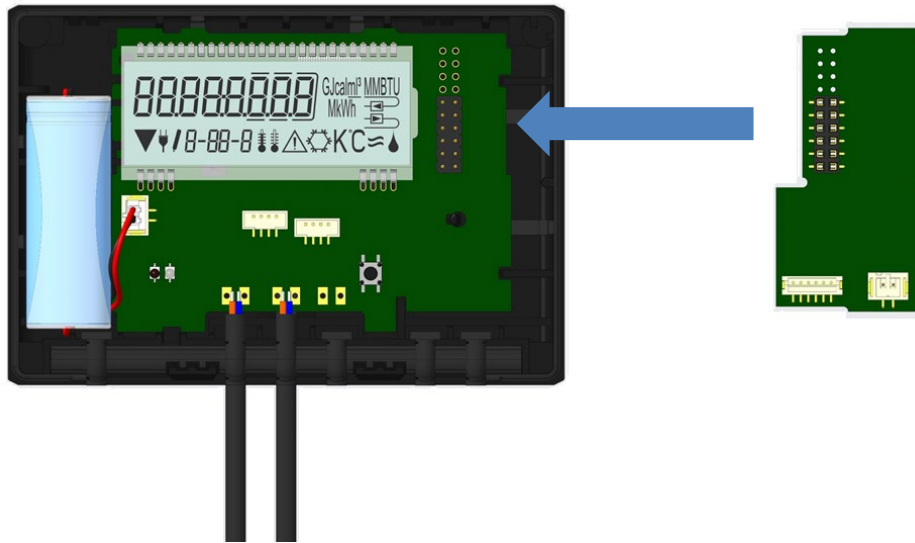
To retrofit such a meter with an additional communication interface the calculator's adhesive seal has to be destroyed and the device's calculator to be opened. Use a screwdriver with a wide tip (4 - 5 mm) and carefully press in the two round predetermined breaking points above the cable feedthroughs (see picture 1).



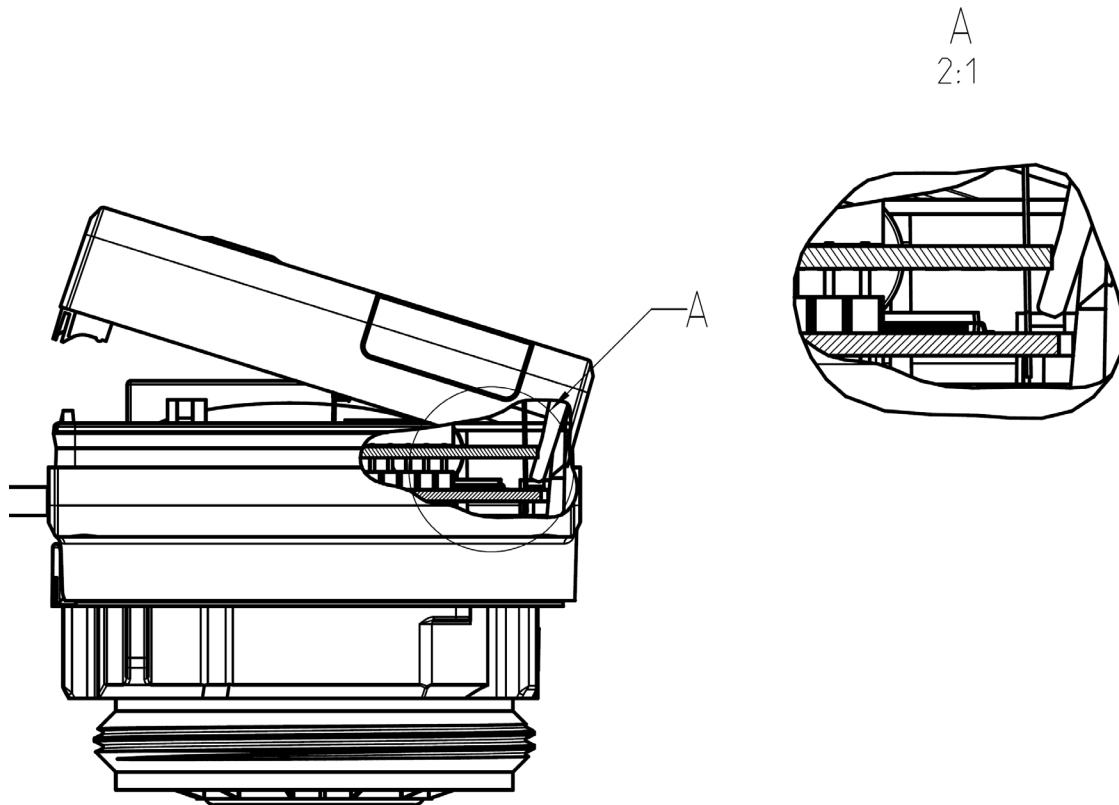
Then insert the screwdriver into one of the two openings at an angle of approx. 45° and carefully lift the handle up to approx. 90° (see picture 2). The upper housing piece of the calculator is then no longer latched on this side. Repeat this with the other opening. Now the upper housing piece can be taken off.



Plug the interface module on the right side of the PC board (see picture 3). The cables are to be fed through the rightmost cable feedthroughs into the calculator after removing the blind grommets. Close the calculator. Protect the calculator against unauthorized opening using one of the numbered adhesive seals enclosed to the modules (stick it upon the seal destroyed). The added bar code label can be used for the purpose of documentation.



To remove a module the upper housing piece must be carefully pressed against the rear panel of the lower housing piece during opening the calculator. Thus the two rear snap-fits of the upper housing piece lever out the module of the PC board (see picture 4).



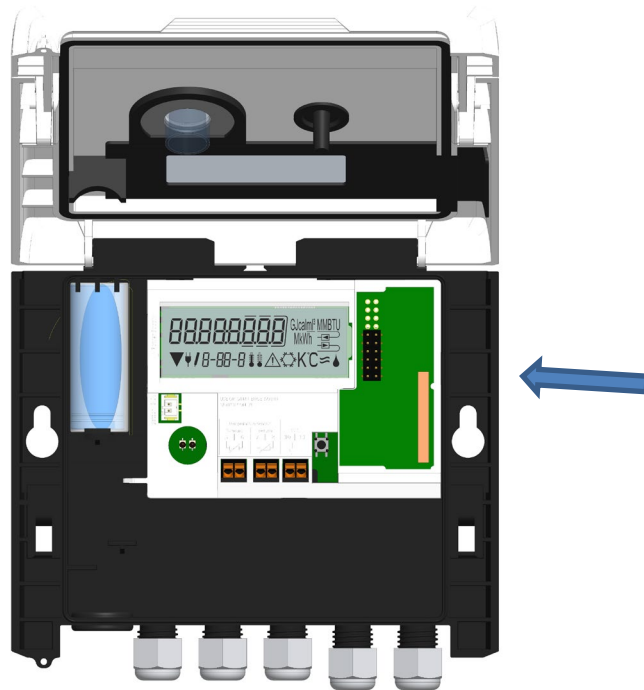
2.2 Retrofitting S3C with an additional communication interface

To our calculator further communication interfaces can be added later.

Open the calculator by pulling the clamping bracket at the upper housing's leading edge up.

Plug the interface module on the right side of the PC board. If there are module cables you have to loosen the needed number of cable glands and to glide them over the cables. Remove the blind plugs from the cable gland openings and feed the cables into the calculator.

Protect the calculator against unauthorized opening using one of the numbered adhesive seals enclosed to the modules (stick it upon the seal destroyed). The added bar code label can be used for the purpose of documentation.



3 Display in the Module Loop (Optional)

Level 6 / Module Loop:

	<p>or:</p>	<p>or:</p>	
<p>1) Display of plugged module (alternatively): 5 = 1 pulse output; 8 = wireless M-Bus + 3 pulse inputs; 9 = M-Bus + 3 pulse inputs; 10 = 2 pulse outputs</p>	<p>2) Display depending on plugged module and setup: radio off; radio on; pulse value pulse output 1</p>	<p>3) Display depending on plugged module and setup: radio encryption (AES) off; radio encryption (AES) on; pulse value pulse output 2</p>	

4 Imprint

Engelmann Sensor GmbH
Rudolf-Diesel-Str. 24-28
69168 Wiesloch-Baiertal
Germany

E-Mail: info@engelmann.de

www.engelmann.de

EG-Konformitätserklärung EC-Declaration of Conformity

Für das Produkt *For the product*

Kompaktwärmezähler

Compact Heat Meter

S3

EG-Baumusterprüfbescheinigung

EC examination certificate no.

DE-16-MI004-PTB025

Metrologiekennzeichnung

Metrology Marking

CE **M XX** 0102 XX = Jahreszahl
year

Benannte Stelle, Modul, Zertifikat

notified body number, modul, certificate

0102, Physikalisch-Technische Bundesanstalt, D-38166 Braunschweig, Modul D,
DE-M-AQ-PTB015

bestätigen wir als Hersteller

we confirm as the manufacturer

Engelmann Sensor GmbH, Rudolf-Diesel-Straße 24-28, D-69168 Wiesloch-Baiertal

dass das Produkt die Anforderungen erfüllt, die in den folgenden Richtlinien der Europäischen Gemeinschaft genannt werden, soweit diese Anwendung auf das Produkt finden:

that the product meets the requirements according to the following directives of the European Parliament as far as these are applied on the product:

Messgeräte-Richtlinie 2014/32/EU vom 26.2.2014 (ABl. L 96/149 29.3.2014), *Measuring Instruments Directive 2014/32/EU*

zuletzt geändert durch die Berichtigung vom 20.01.2016 (ABl. L 13 S. 57)

RoHS-Richtlinie 2011/65/EU vom 8.6.2011 (ABl. L 174/88 1.7.2011)

RoHS Directive 2011/65/EU

EMV-Richtlinie 2014/30/EU vom 26.2.2014 (ABl. L 96/79 29.3.2014)

EMC Directive 2014/30/EU

Zusätzlich für Geräte mit Funk: *Additionally for devices with radio communication:*

Funkanlagen-Richtlinie 2014/53/EU vom 16.04.2014 (ABl. L 153/62 22.5.2014) *Radio Equipment Directive 2014/53/EC*

Weiterhin entspricht das Produkt den folgenden harmonisierten Normen, normativen Dokumenten, Technischen Richtlinien und sonstigen Rechtsvorschriften, soweit diese Anwendung auf das Produkt finden:

Furthermore the product complies with the following harmonised standards, normative documents, technical guidelines and other regulations as far as these are applied on the product:

DIN EN 1434 (2015)

EN 300220-2 V3.1.1 (2017-02)

EN 61000-4-3 (2006+A1:2008+A2:2010)

DIN EN ISO 4064 (2014)

EN 13757-2, -3 (2005)

EN 61000-4-4 (2004+A1:2010)

OIML R75 (2002/2006)

EN 60751 (2009)

EN 61000-4-6 (2014)

EN 301489-1 V2.2.3 (2019-11)

EN 62479 (2010)

EN 61000-4-8 (2010-11)

EN 301489-3 V2.1.1 (2019-03)

DIN EN 60529 (2000)

PTB-Richtlinie K 7.1 (2006)

Der Hersteller trägt die alleinige Verantwortung für die Ausstellung der Konformitätserklärung.

The manufacturer is solely responsible for issuance of the declaration of conformity.

Wiesloch-Baiertal, 06.05.2020

Engelmann Sensor GmbH



U. Kunstein / CE-Beauftragter *CE Manager*

EG-Konformitätserklärung EC-Declaration of Conformity

Für das Produkt *For the product*

Kompaktkältezähler

Compact Cooling Meter

S3

bestätigen wir als Hersteller

we confirm as the manufacturer

Engelmann Sensor GmbH, Rudolf-Diesel-Straße 24-28, D-69168 Wiesloch-Baiertal

dass das Produkt die Anforderungen erfüllt, die in den folgenden Richtlinien der Europäischen Gemeinschaft genannt werden, soweit diese Anwendung auf das Produkt finden:

that the product meets the requirements according to the following directives of the European Parliament as far as these are applied on the product:

RoHS-Richtlinie 2011/65/EU vom 8.6.2011 (ABl. L 174/88 1.7.2011)

RoHS Directive 2011/65/EU

EMV-Richtlinie 2014/30/EU vom 26.2.2014 (ABl. L 96/79 29.3.2014)

EMC Directive 2014/30/EU

Zusätzlich für Geräte mit Funk: *Additionally for devices with radio communication:*

Funkanlagen-Richtlinie 2014/53/EU vom 16.4.2014 (ABl. L 153/62 22.5.2014)

Radio Equipment Directive 2014/53/EC

Weiterhin entspricht das Produkt den folgenden harmonisierten Normen, normativen Dokumenten, Technischen Richtlinien und sonstigen Rechtsvorschriften, soweit diese Anwendung auf das Produkt finden:

Furthermore the product complies with the following harmonised standards, normative documents, technical guidelines and other regulations as far as these are applied on the product:

DIN EN 1434 (2015)

EN 300220-2 V3.1.1 (2017-02)

EN 61000-4-3 (2006+A1:2008+A2:2010)

DIN EN ISO 4064 (2014)

EN 13757-2, -3 (2005)

EN 61000-4-4 (2004+A1:2010)

OIML R75 (2002/2006)

EN 60751 (2009)

EN 61000-4-6 (2014)

EN 301489-1 V2.2.3 (2019-11)

EN 62479 (2010)

EN 61000-4-8 (2010-11)

EN 301489-3 V2.1.1 (2019-03)

DIN EN 60529 (2000)

PTB-Richtlinie K 7.1, K7.2 (2006)

Der Hersteller trägt die alleinige Verantwortung für die Ausstellung der Konformitätserklärung.

The manufacturer is solely responsible for issuance of the declaration of conformity.

Wiesloch-Baiertal, 06.05.2020

Engelmann Sensor GmbH



U. Kunstein / CE-Beauftragter *CE Manager*

Konformitätserklärung

für Geräte, die nicht europäischen Vorschriften unterliegen

Für das Produkt

Kompaktkältezähler

S3

Baumusterprüfbescheinigung

DE-16-M-PTB-0097

Metrologiekennzeichnung

DE-M XX 0102 XX = Jahreszahl

Benannte Stelle, Modul, Zertifikat

0102, Physikalisch-Technische Bundesanstalt, D-38116 Braunschweig, Modul D, DE-M-AQ-PTB015

bestätigen wir als Hersteller

Engelmann Sensor GmbH, Rudolf-Diesel-Straße 24-28, D-69168 Wiesloch-Baiertal

dass das Produkt die Anforderungen erfüllt, die im **Mess- und Eichgesetz (MessEG vom 25.07.2013 (BGBl. I S. 2722))**, zuletzt geändert durch Artikel 1 des Gesetzes vom **11.04.2016 (BGBl. I S. 718)** sowie in der sich darauf stützenden **Mess- und Eichverordnung (MessEV vom 11.12.2014 (BGBl. I S. 2010))**, zuletzt geändert durch Artikel 3 der Verordnung vom **30.04.2019 (BGBl. I S. 579)**, genannt werden.

Weiterhin entspricht das Produkt den folgenden harmonisierten Normen, normativen Dokumenten, Technischen Richtlinien und sonstigen Rechtsvorschriften, soweit diese Anwendung auf das Produkt finden:

DIN EN 1434 (2015)

OIML R75 (2002/2006)

PTB-Richtlinie K 7.1, K7.2 (2006)

DIN EN ISO 4064 (2014)

EN 60751 (2009)

Der Hersteller trägt die alleinige Verantwortung für die Ausstellung der Konformitätserklärung.

Wiesloch-Baiertal, 06.05.2020

Engelmann Sensor GmbH



U. Kunstein / Metrologie-Beauftragter