

Revision History

Table of Revisions

Date	Page	Changed	Rev
Mar 2003	All	First edition	AA
May 2010	16	Japan location	AB
Sep 2010	16	New back page	AC
Dec 2010	15	Drawings	AD

PVRES General

PVRES general..... 3
 Characteristic 4
 Electrical system 4
 Technical data..... 5
 Code numbers and weight 6
 Dimensions..... 6

PVRES Accessories

PVRES accessories 8
 Code numbers and weight 9
 Dimensions..... 9

PVREL General

PVREL general..... 11
 Characteristics 12
 Electrical system 13
 Electrical system PVREL..... 13
 Code numbers and weight 14
 Technical data..... 14
 Dimensions..... 15

© 2010 Sauer-Danfoss. All rights reserved.

Sauer-Danfoss accepts no responsibility for possible errors in catalogs, brochures and other printed material. Sauer-Danfoss reserves the right to alter its products without prior notice. This also applies to products already ordered provided that such alterations can be made without affecting agreed specifications. All trademarks in this material are properties of their respective owners. Sauer-Danfoss, the Sauer-Danfoss logotype, the Sauer-Danfoss S-icon, PLUS+1™, What really matters is inside® and Know-How in Motion™ are trademarks of the Sauer-Danfoss Group.

Front cover illustrations: F300641, , F300642, F300141, F300142
 drawing: 155B577



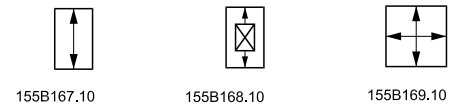
General

PVRES can be used individually or with PVRES accessories built together to form a complete operating panel. PVRES is particularly suited to panel mounting and characterised by:

- finger-tip control
- small dimensions
- low weight
- built-in flow regulation
- accessories such as emergency stop and lamps (see page 8)

Two Proportional Functions

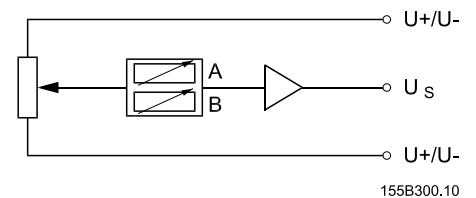
PVRES is supplied with one or two potentiometers. It is thus possible to regulate one function, or two functions at the same time.



Flowadjustment

Two further adjustments per function are built into PVRES. Independently of each other, these limit the signal voltage (U_s) and thereby the flow from proportional valve ports A and B without the movement of the remote control lever being limited.

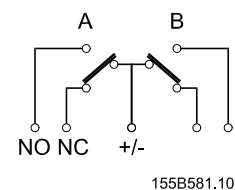
The oil flow can be infinitely reduced down to 25% of maximum flow.



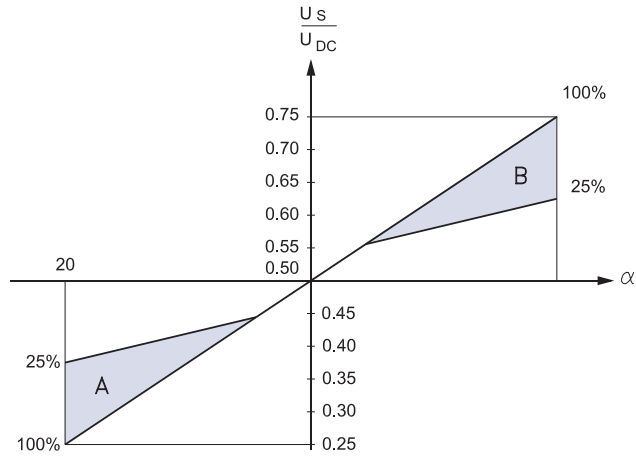
On-off Function

Instead of the proportional functions, PVRES can be supplied with built-in switches.

The contact functions can be either normally "ON" or normally "OFF" in neutral position.



Characteristic



2 way	5.7 N [1.28 lbf]	1.7 N [0.38 lbf]	1.7 N [0.38 lbf]	5.7 N [1.28 lbf]
4 way	6.9 N [1.55 lbf]			6.9 N [1.55 lbf]

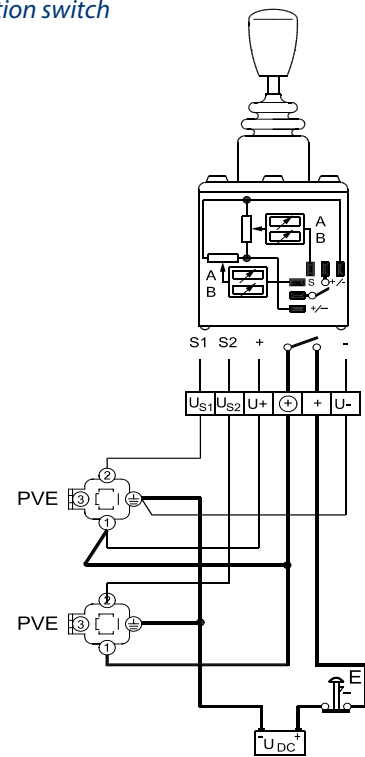
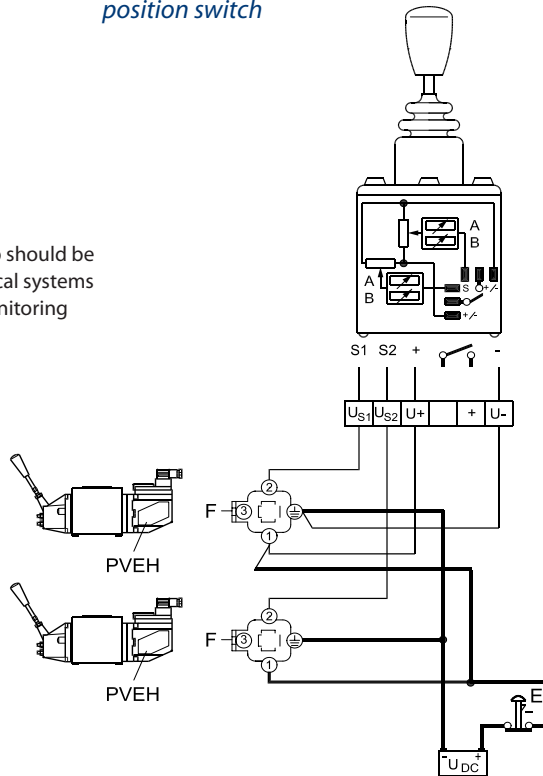
155B170.11

Electrical System

*2 proportional functions
 without using neutral
 position switch*

*2 proportional functions
 with the use of neutral
 position switch*

- Signal leads
- Supply leads
- E: Emergency stop
An emergency stop should be built into all electrical systems
- F: Lead from fault monitoring

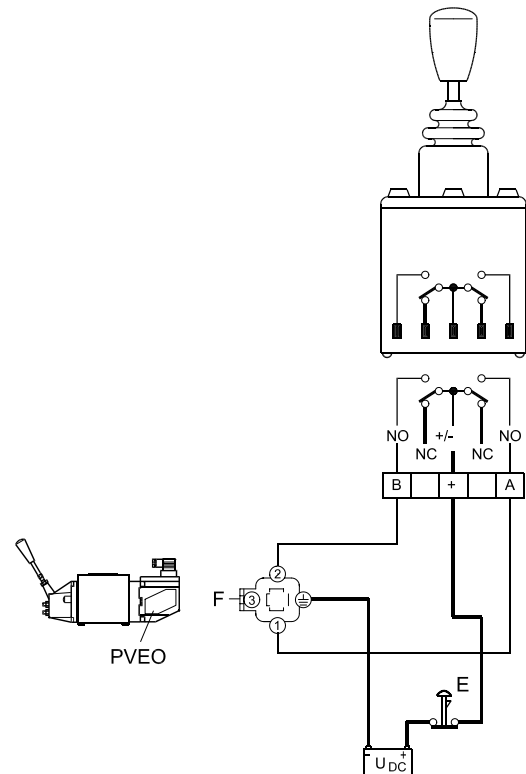


155B467.11

Electrical System continued

On-off-on function

- Signal leads
- Supply leads
- E: Emergency stop
An emergency stop should be built into all electrical systems



155B468.11

Technical Data

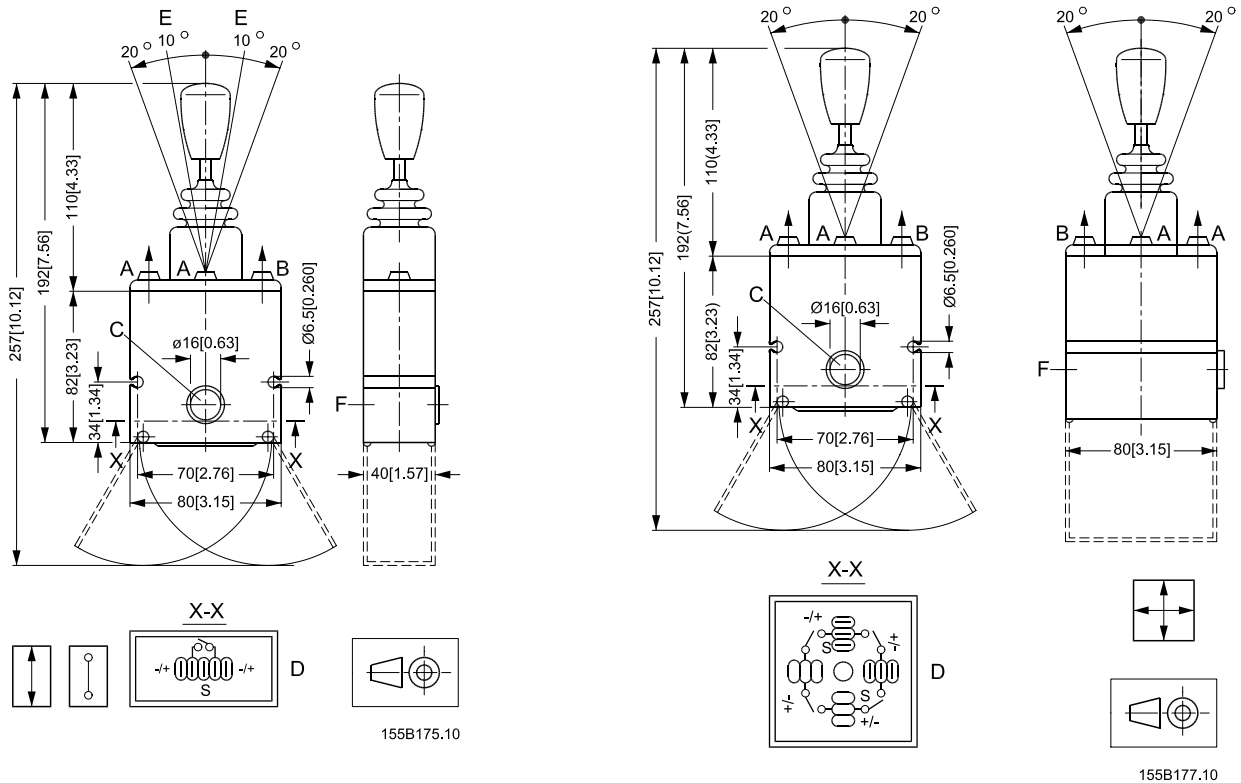
Supply voltage	U_{DC}	11- 30 U_{DC}
	Max. ripple	5%
Current consumption		< 80 mA
Max. force		50 N [11.24 lbf]
Output voltage (U_s)	$\frac{U_s}{U_{DC}}$	0.25 → 0.75
Neutral voltage (U_s)	$\frac{U_s}{U_{DC}}$	0.5
Output signal	Max. load	Two parallelconnected PVEs
	Min. load impedance to $0,5 \cdot U_{DC}$	6 k Ω
Signal current max.	$\frac{U_{DC} = 12 V}{U_{DC} = 24 V}$	± 0.6 mA (resistive)
		± 1.2 mA
Neutral position switch max. current	$\frac{U_{DC} = 12 V}{U_{DC} = 24 V}$	2 A
		1 A
On - off - on switch max. current	$\frac{U_{DC} = 12 V}{U_{DC} = 24 V}$	0.7 A
		0.35 A
Ambient temperature		- 30 to + 60°C [-22 to 140°F]
Enclosure to IEC 529	Over mounting flange	IP 44
	Under mounting flange	IP 23

PVRE and PVRET must be connected to supply voltage at the same point as PVE.

Code Numbers and Weight

Function	Symbol	Version	Code no	Dimension mm [in]	Weight kg [lb]
1 Proportional		Standard	155B4210	40 x 80 x 192 [1.57 x 3.15 x 7.56]	0.27 [0.60]
		Short	155B4218	40 x 80 x 135 [1.57 x 3.15 x 5.31]	0.24 [0.53]
1 Proportional		Standard	155B4211	40 x 80 x 235 [1.57 x 3.15 x 9.25]	0.40 [0.88]
2 Proportional		Standard	155B4212	80 x 80 x 192 [3.15 x 3.15 x 7.56]	0.38 [0.84]
		Short	155B4219	80 x 80 x 135 [3.15 x 3.15 x 5.31]	0.32 [0.70]
1 On - off - on		Standard	155B4206	40 x 80 x 192 [1.57 x 3.15 x 7.56]	0.25 [0.55]

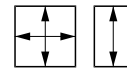
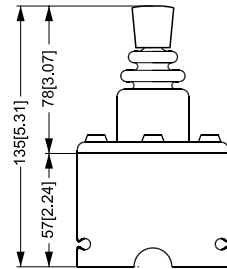
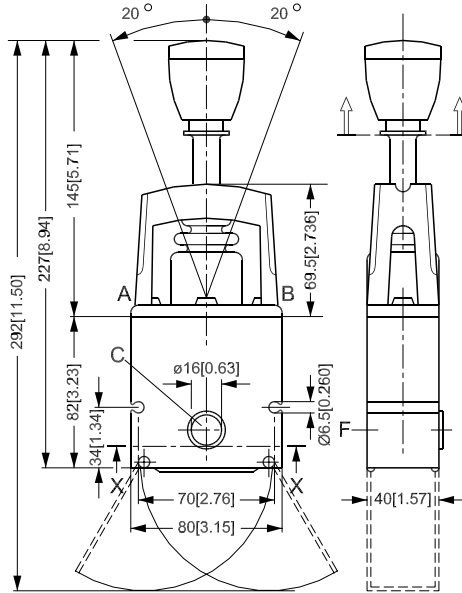
Dimensions



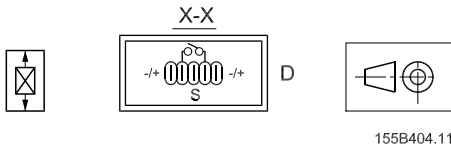
A, B : Oil flow adjustment
 C : Deflection block
 D : Flat pin A 6.3 - 0.8

E: Max. travel for on-off-on version
 F: Ø17 hole for PG 11 screwed cable entry

Dimensions



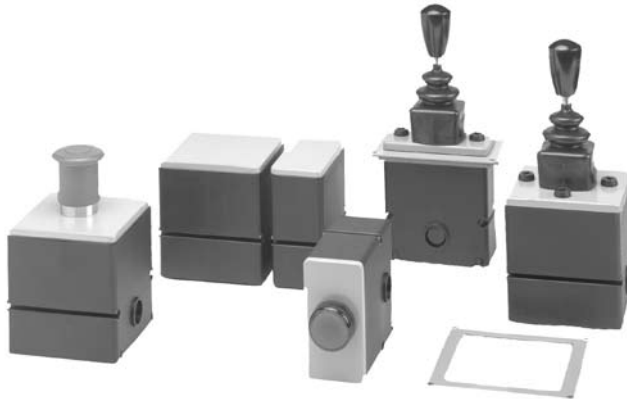
155B475.10



155B404.11

- A, B : Oil flow adjustment
- C : Deflection block
- D : Flat pin A 6.3 - 0.8
- E : Max. travel for on-off-on version
- F : $\varnothing 17$ hole for PG 11 screwed cable entry

General



PVRES accessories meet the demand for simple installation, monitoring and safety. They also offer the possibility of mounting other components in connection with PVRES where uniform design is desirable.

Emergency Stop Module

The module contains an emergency stop switch of the impact key type $I_{NOM} = 10 \text{ A}$



155B171.10

Lamp Modul

The module contains a green lamp. 12 V and 24 V bulbs are included.



155B172.10

Spacing and Mounting Modules

The modules are used between PVRES remote control units either as empty spacer modules or as mounting modules for switches, lamp indicators, starting keys, etc. The modules are available in widths 40 mm and 80 mm.



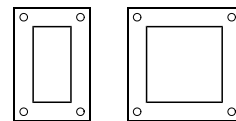
155B173.10



155B174.10

Panel Mounting Rings

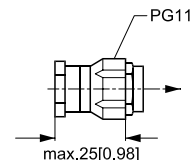
Panel mounting rings 40 mm and 80 mm are available for PVRES modules.



155B470.10





PG 11 Screwed Cable Entry

PG screwed cable entry and locknut, suitable for all PVRES modules.

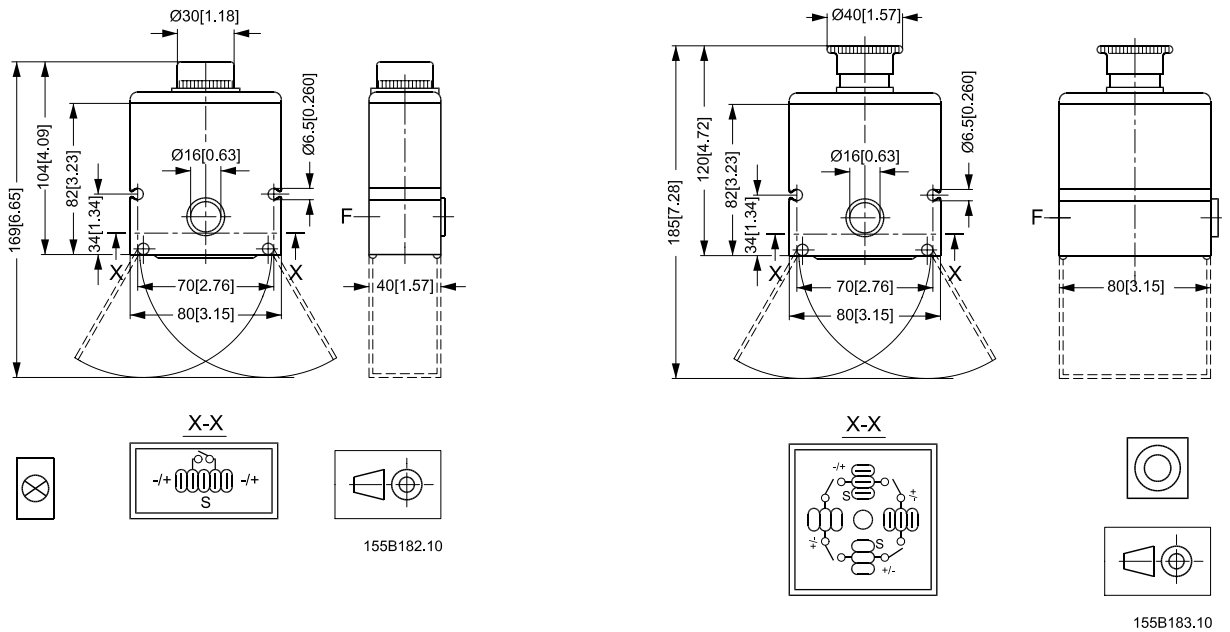


155B473.10

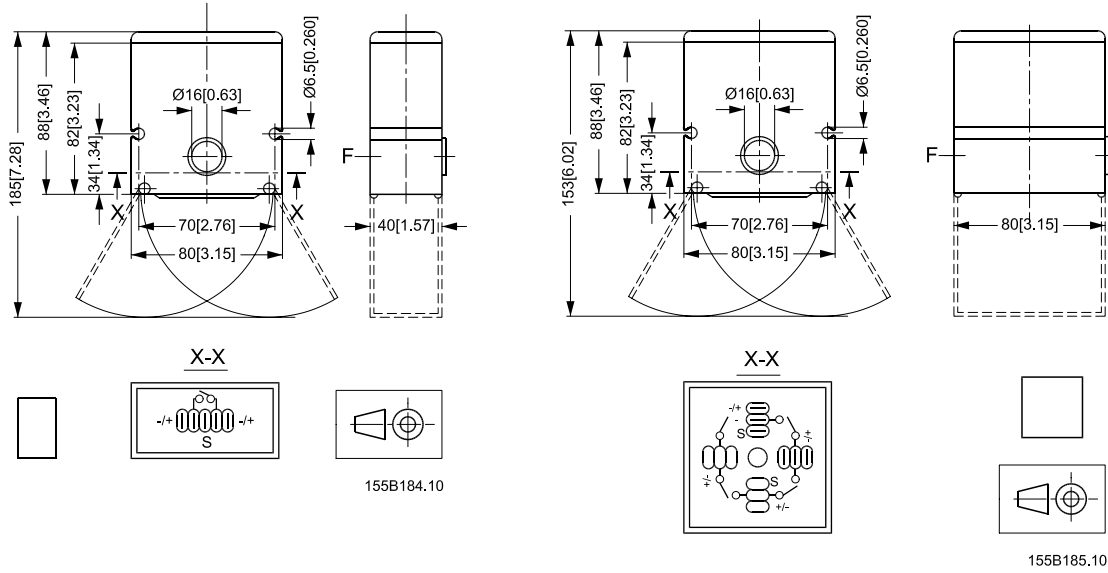
Code Numbers and Weight

Type	Symbol	Code number	Dimension		Weight	
			mm	[in]	kg	[lb]
Lamp module	 155B172.10	155B4213	40 x 80	[1.57 x 3.15]	0.22	[0.48]
Emergency stop	 155B171.10	155B4216	80 x 80	[3.15 x 3.15]	0.33	[0.73]
Spacer and mounting module	 155B173.10	155B4214	40 x 80	[1.57 x 3.15]	0.15	[0.33]
	 155B173.10	155B4215	80 x 80	[3.15 x 3.15]	0.18	[0.40]
Panel mounting plate		155B4876	60 x 100	[2.36 x 3.94]	0.04	[0.09]
		155B4877	100 x 100	[3.94 x 3.94]	0.05	[0.11]
PG 11 screwed cable entry		155B4875			0.01	[0.02]

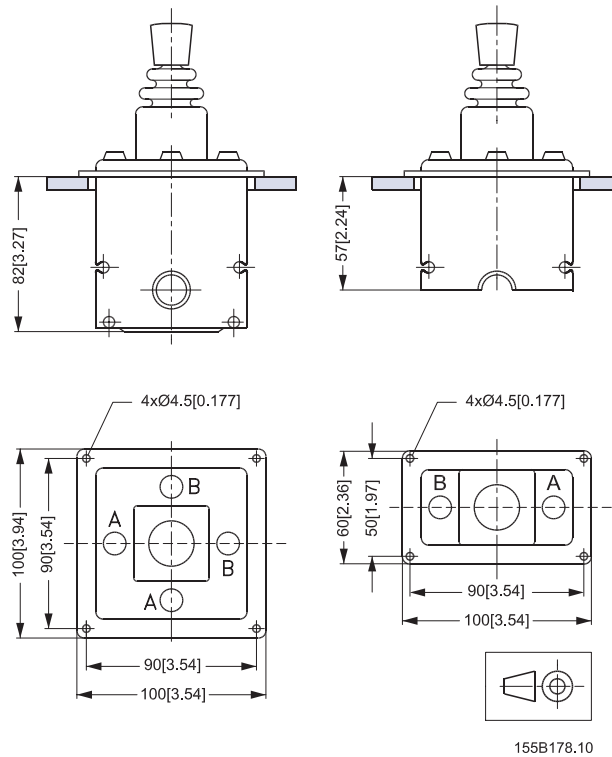
Dimensions



Dimensions



**PVRES Panel Mounting
 Plate**



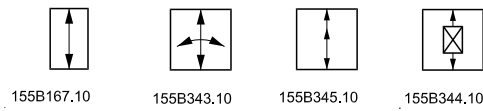
General



PVREL is an electric remote control lever made in weather-resistant plastic. PVREL is for easy mounting in operating panels. PVREL is characterised by:

- IP 67 enclosure
- low operating forces
- robust construction
- small dimensions

Proportional Function

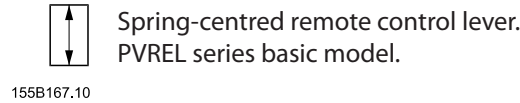


The PVREL remote control levers contains a potentiometer for the control of one proportional function.

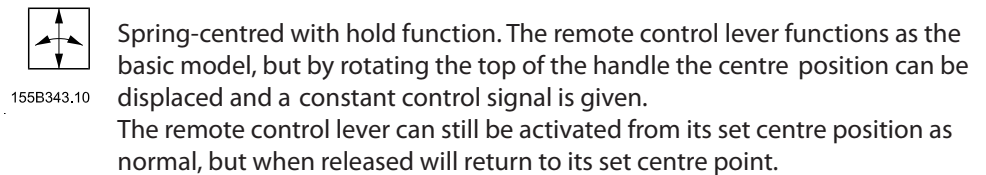
Variants

The PVREL series contains four variants. These can be ordered with or without neutral position switch.

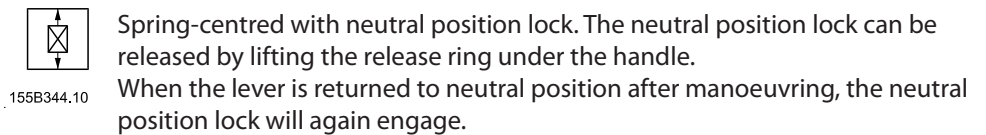
Standard



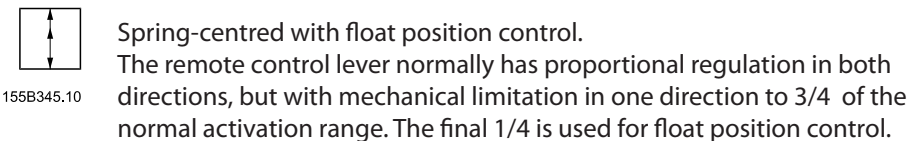
Hold Function



Neutral Lock



Float Position



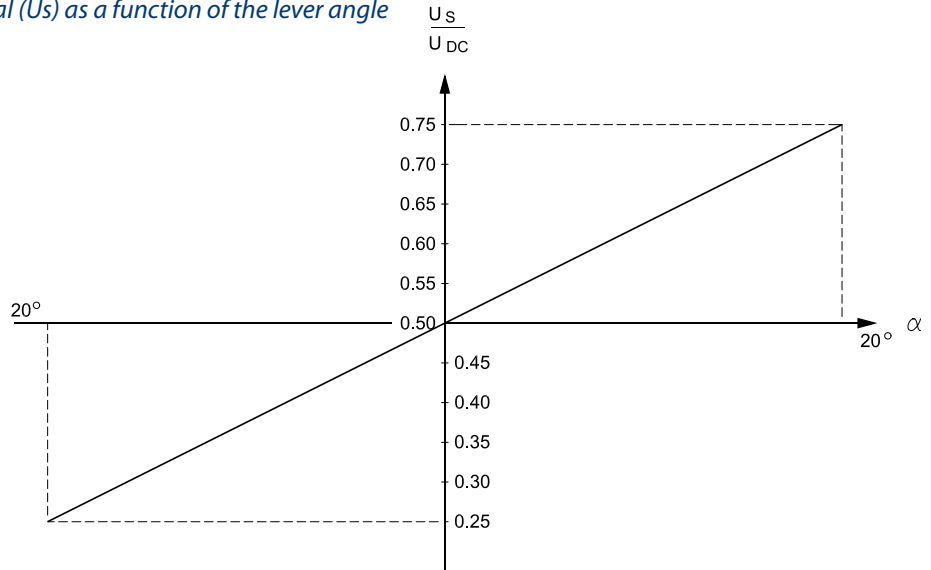
Access to the float position control is gained by lifting the release ring under the handle and moving the lever out to its float position. Here, on releasing the ring, the remote control lever becomes locked in float position. Return from float position is gained by again lifting the release ring and bringing the lever back to the proportional range.

Installation

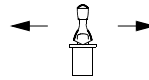
Correctly placed, the PVREL can comply with the grade of enclosure IP 67 above the mounting flange.

Characteristic

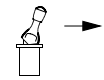
Signal (U_s) as a function of the lever angle



4.0 N [0.899 lbf]
 7.7 N [1.731 lbf]*



2.4 N [0.540 lbf]
 3.4 N [0.764 lbf]*

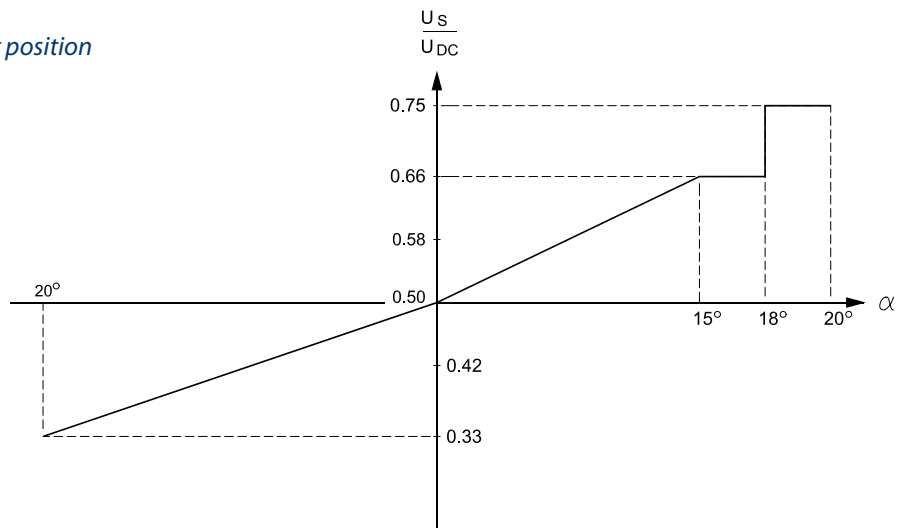


4.0 N [0.899 lbf]
 7.7 N [1.731 lbf]*

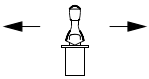
* PVREL with hold function

155B346.10

Float position



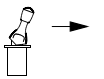
4.5 N
 [1.016 lbf]



2.4 N
 [0.540 lbf]



4.0 N
 [0.900 lbf]



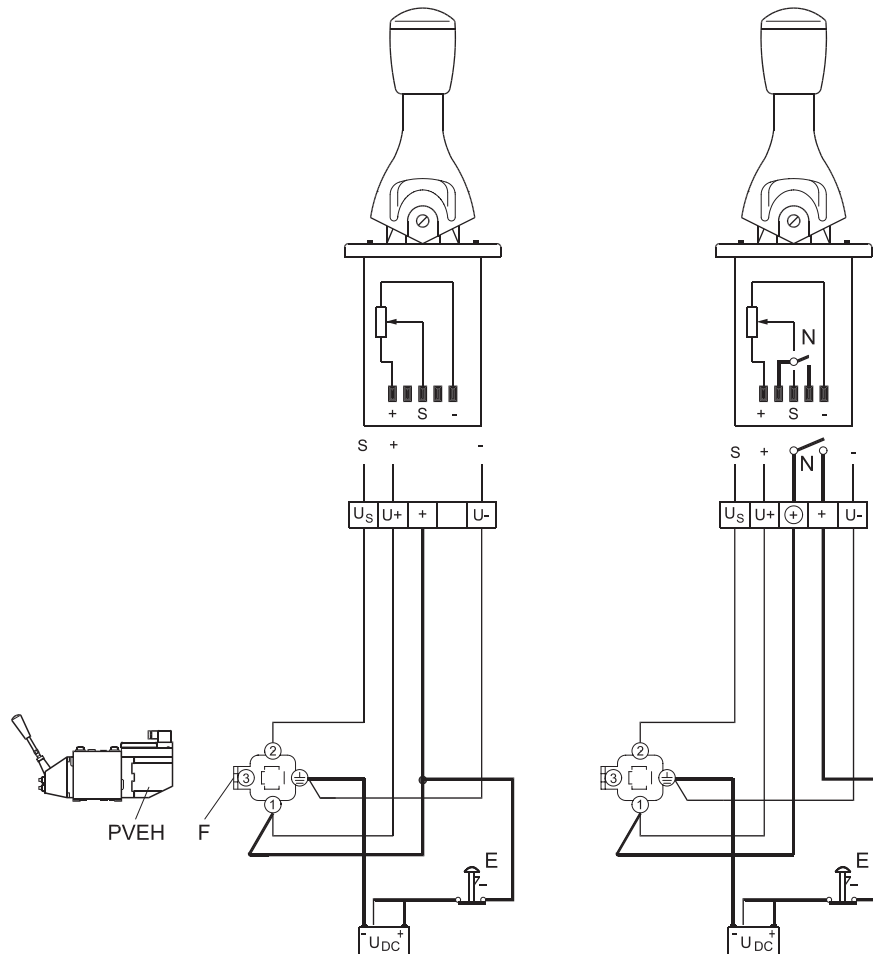
4.5 N
 [1.016 lbf]

155B347.10

Electrical System

*1 proportional function
 without using neutral
 position switch*

*1 proportional function
 with the use of neutral
 position switch*



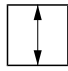

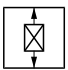
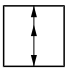
- Signal leads
- Supply leads
- E: Emergency stop
- F: Lead from fault monitoring

Technical Data

Supply voltage	U_{DC}	11- 30 U_{DC}
	Max. ripple	5%
Current consumption		< 80 mA
Max. force		100 N [22.5 lbf]
Output voltage (U_s)	$\frac{U_s}{U_{DC}}$	0.25 → 0.75
Neutral voltage (U_s)	$\frac{U_s}{U_{DC}}$	0.5
Output signal	Max. load	Two parallelconnected PVEs
	Min. load impedance to 0,5 · U_{DC}	6 k Ω
Signal current max.	$U_{DC} = 12 V$	$\pm 0.6 mA$
	$U_{DC} = 24 V$	$\pm 1.2 mA$
Neutral position switch max. current	$U_{DC} = 12 V$	2 A
	$U_{DC} = 24 V$	1 A
Ambient temperature		- 30 to + 60°C [-22 to 140°F]
Enclosure to IEC 529	Over mounting flange	IP 67
	Under mounting flange with bottom cover 155U2600	IP 65

PVREL must be connected to supply voltage at the same point as PVE.

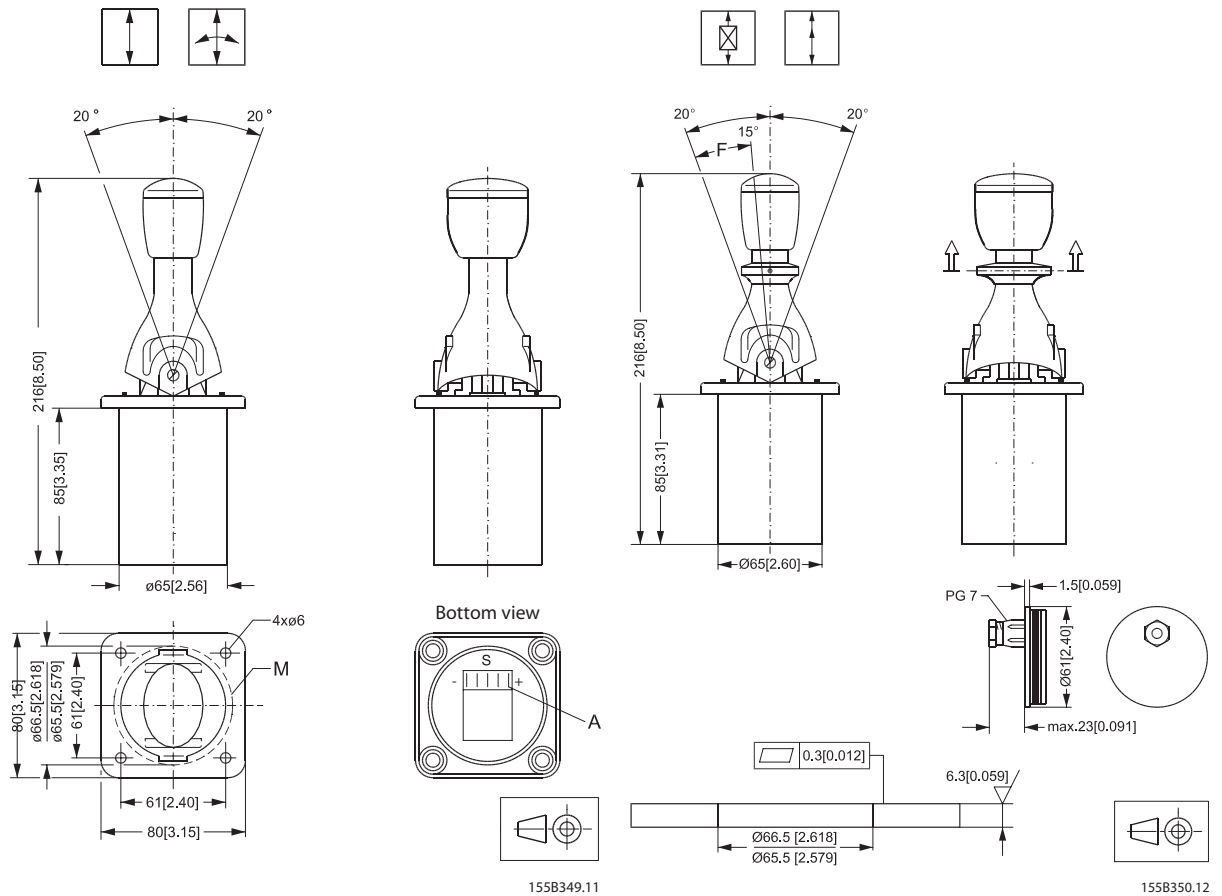
Code Numbers and Weight

Functions	Symbol	Code no. without neutral position switch	Code no. with neutral position switch	Weight	
				kg	[lb]
Spring centred	 155B342.10	155U2601	155U2605	0.32	[0.70]
With detent	 155B343.10	155U2602	155U2606	0.32	[0.70]
With neutral position look	 155B344.10	155U2603	155U2607	0.36	[0.79]
For float position	 155B345.10	155U2604	155U2608	0.36	[0.79]

For installation, all PVREL remote control levers are supplied with O-rings and bolt sets. The bottom cover is not included in the above mentioned code number.

Accessories	Code no.	Weight	
		kg	[lb]
Bottom cover , including PG-screwed connections for IP 65 under the assembly flange	155U2600	0.025	[0.055]

Dimensions



F : Float position
A : Socket A 6.3-0.8
M : Assembly aperture



Products we offer:

- Bent Axis Motors
- Closed Circuit Axial Piston Pumps and Motors
- Displays
- Electrohydraulic Power Steering
- Electrohydraulics
- Hydraulic Power Steering
- Integrated Systems
- Joysticks and Control Handles
- Microcontrollers and Software
- Open Circuit Axial Piston Pumps
- Orbital Motors
- PLUS+1™ GUIDE
- Proportional Valves
- Sensors
- Steering
- Transit Mixer Drives

Members of the Sauer-Danfoss Group:

Comatrol

www.comatrol.com

Schwarz Müller-Inverter

www.schwarzmueller-inverter.com

Turolla

www.turollaocg.com

Hydro-Gear

www.hydro-gear.com

Sauer-Danfoss-Daikin

www.sauer-danfoss-daikin.com

Sauer-Danfoss is a global manufacturer and supplier of high-quality hydraulic and electronic components. We specialize in providing state-of-the-art technology and solutions that excel in the harsh operating conditions of the mobile off-highway market. Building on our extensive applications expertise, we work closely with our customers to ensure exceptional performance for a broad range of off-highway vehicles.

We help OEMs around the world speed up system development, reduce costs and bring vehicles to market faster.

Sauer-Danfoss – Your Strongest Partner in Mobile Hydraulics.

Go to www.sauer-danfoss.com for further product information.

Wherever off-highway vehicles are at work, so is Sauer-Danfoss.

We offer expert worldwide support for our customers, ensuring the best possible solutions for outstanding performance. And with an extensive network of Global Service Partners, we also provide comprehensive global service for all of our components.

Please contact the Sauer-Danfoss representative nearest you.

Local address:

Sauer-Danfoss (US) Company
2800 East 13th Street
Ames, IA 50010, USA
Phone: +1 515 239 6000
Fax: +1 515 239 6618

Sauer-Danfoss ApS
DK-6430 Nordborg, Denmark
Phone: +45 7488 4444
Fax: +45 7488 4400

Sauer-Danfoss GmbH & Co. OHG
Postfach 2460, D-24531 Neumünster
Krokamp 35, D-24539 Neumünster, Germany
Phone: +49 4321 871 0
Fax: +49 4321 871 122

Sauer-Danfoss-Daikin LTD.
Shin-Osaka TERASAKI 3rd Bldg. 6F
1-5-28 Nishimiyahara, Yodogawa-ku
Osaka 532-0004, Japan
Phone: +81 6 6395 6066
Fax: +81 6 6395 8585