

ball valve

Art. 553 - 653

brv bonetti rubinetterie valduggia
 Loc. Molino Rastelli, 2 I-13018 VALDUGGIA (VC) ITALY
 Tel. +39 0163 48062 - Fax +39 0163 48188
 http://www.brv.it - email: info@brv.it



553
653

Ball valve in hot forged brass for 3/4" water meters (Qn 2.5).
 Nickel plated. Sealable and removable coupling nut.
 NBR gasket available on demand.
Art. 553: PN 30. Max.150°C.
Art. 653: PN 16. Max.95°C.
 End threaded to ISO 228 (DIN 259 BSP 2779).
Art. 653 CHECKBALL with check valve in the ball.
With steel asymmetric T-handle.
Sizes: 3/4" and 1"

WORKING PRESSURE

	Art. 553	Art. 653
for saturated steam (+150°C)	5 bar	-
for water, oil and non aggressive fluids (+25°C)	30 bar	16 bar
minimum pressure for check valve opening	-	30 mbar

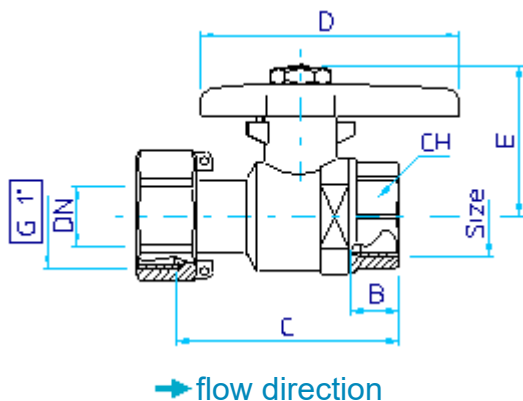
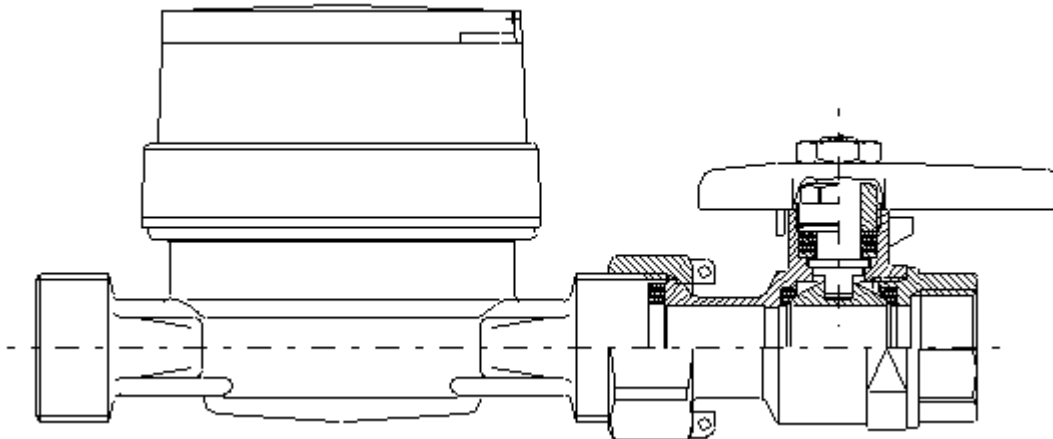
WORKING TEMPERATURE

Min. -20°C	Max.+150°C	Max.+95°C
------------	------------	-----------

TEST PRESSURE

seal pneumatic test	6.5 bar	6.5 bar
---------------------	---------	---------

COMP.	MATERIAL-TREATMENT	Q.
Handle	Steel; Epoxy resin painted	1
Nut	Brass P-CuZn40Pb2; Nickel plated	1
Stem	Brass P-CuZn40Pb2	1
Packing gland	Brass P-CuZn40Pb2	1
Stem packing	P.T.F.E.	2
Washer	Brass P-CuZn40Pb2	1
Coupling nut	Brass P-CuZn40Pb2; Nickel plated	1
Body	Brass P-CuZn40Pb2; Nickel plated	1
Ball seals	P.T.F.E.	2
Ball	Brass P-CuZn40Pb2; Chrome plated	1
Check valve (653)	Acetalic resin	1
Tailpiece	Brass P-CuZn40Pb2; Nickel plated	1



Size	3/8"	1/2"	3/4"	1"
B	-	-	13	12.5
C	-	-	61	64
D	-	-	65	65
E	-	-	41	41
CH	-	-	31	38.5
DN	-	-	20	20
Gr.	-	-	315	341
M.Carton				
553/653	-	-	162	126