

Operating Guide

VLT® HVAC Basic Drive FC 101





Danfoss A/S

6430 Nordborg
Denmark
CVR nr.: 20 16 57 15

Telephone: +45 7488 2222
Fax: +45 7449 0949

EU DECLARATION OF CONFORMITY

Danfoss A/S
Danfoss Drives A/S

declares under our sole responsibility that the

Product category: Frequency Converter

Type designation(s): FC-101PXXXYY*****

Character XXX: K25, K37, K75, 1K5, 2K2, 3K0, 3K7, 4K0, 5K5, 7K5, 11K, 15K, 18K, 22K, 30K, 37K, 45K, 55K, 75K, 90K

Character YY: T2, T4, T6

* may be any number or letter indicating drive options which do not impact this DoC.

The meaning of the 39 characters in the type code string can be found in appendix 00729776.

Covered by this declaration is in conformity with the following directive(s), standard(s) or other normative document(s), provided that the product is used in accordance with our instructions.

Low Voltage Directive 2014/35/EU

EN61800-5-1:2007 + A1:2017 Adjustable speed electrical power drive systems – Part 5-1:
Safety requirements – Electrical, thermal and energy.

EMC Directive 2014/30/EU

EN61800-3:2004 + A1:2012 Adjustable speed electrical power drive systems – Part 3: EMC
requirements and specific test methods.

RoHS Directive 2011/65/EU including amendment 2015/863.

EN630000:2018 Technical documentation for the assessment of electrical and
electronic products with respect to the restriction of
hazardous substances

Date: 2020.09.15 Place of issue:	Issued by 	Date: 2020.09.15 Place of issue:	Approved by
Graasten, DK	Signature: Name: Gert Kjær Title: Senior Director, GDE	Graasten, DK	Signature: Name: Michael Termansen Title: VP, PD Center Denmark

Danfoss only vouches for the correctness of the English version of this declaration. In the event of the declaration being translated into any other language, the translator concerned shall be liable for the correctness of the translation

Contents

1	Introduction	6
1.1	Purpose of this Operating Guide	6
1.2	Trademarks	6
1.3	Additional Resources	6
1.3.1	Other Resources	6
1.3.2	MCT 10 Setup Software Support	6
1.4	Document and Software Version	6
1.5	Certificates and Approvals	7
1.6	Disposal	8
2	Safety	9
2.1	Safety Symbols	9
2.2	Qualified Personnel	9
2.3	Safety Precautions	9
2.4	Motor Thermal Protection	11
3	Installation	12
3.1	Mechanical Installation	12
3.1.1	Side-by-side Installation	12
3.1.2	Drive Dimensions	13
3.2	Electrical Installation	15
3.2.1	Electrical Installation in General	15
3.2.2	IT Mains	16
3.2.3	Mains and Motor Connection	18
3.2.3.1	Introduction	18
3.2.3.2	Connecting to Mains and Motor	19
3.2.3.3	Relays and Terminals on Enclosure Sizes H1–H5	19
3.2.3.4	Relays and Terminals on Enclosure Size H6	20
3.2.3.5	Relays and Terminals on Enclosure Size H7	21
3.2.3.6	Relays and Terminals on Enclosure Size H8	21
3.2.3.7	Connecting to Mains and Motor for Enclosure Size H9	22
3.2.3.8	Relays and Terminals on Enclosure Size H10	25
3.2.3.9	Enclosure Size I2	26
3.2.3.10	Enclosure Size I3	27
3.2.3.11	Enclosure Size I4	28
3.2.3.12	IP54 Enclosure Sizes I2, I3, I4	29
3.2.3.13	Enclosure size I6	29
3.2.3.14	Enclosure size I7, I8	31
3.2.4	Fuses and Circuit Breakers	31
3.2.4.1	Branch Circuit Protection	31

3.2.4.2	Short-circuit Protection	31
3.2.4.3	Overcurrent Protection	31
3.2.4.4	UL/Non-UL Compliance	31
3.2.4.5	Recommendation of Fuses and Circuit Breakers	32
3.2.5	EMC-correct Electrical Installation	34
3.2.6	Control Terminals	36
3.2.7	Electrical Wiring	37
3.2.8	Acoustic Noise or Vibration	38
4	Programming	39
4.1	Local Control Panel (LCP)	39
4.2	Setup Wizard	40
4.2.1	Setup Wizard Introduction	40
4.2.2	Setup Wizard for Open-loop Applications	42
4.2.3	Setup Wizard for Closed-loop Applications	48
4.2.4	Motor Setup	55
4.2.5	Changes Made Function	60
4.2.6	Changing Parameter Settings	60
4.2.7	Accessing All Parameters via the Main Menu	60
4.3	Parameter List	61
5	Warnings and Alarms	63
5.1	List of Warnings and Alarms	63
6	Specifications	66
6.1	Mains Supply	66
6.1.1	3x200–240 V AC	66
6.1.2	3x380–480 V AC	67
6.1.3	3x525–600 V AC	71
6.2	EMC Emission Test Results	73
6.3	Special Conditions	74
6.3.1	Derating for Ambient Temperature and Switching Frequency	74
6.3.2	Derating for Low Air Pressure and High Altitudes	74
6.4	General Technical Data	75
6.4.1	Protection and Features	75
6.4.2	Mains Supply (L1, L2, L3)	75
6.4.3	Motor Output (U, V, W)	75
6.4.4	Cable Length and Cross-section	75
6.4.5	Digital Inputs	76
6.4.6	Analog Inputs	76
6.4.7	Analog Outputs	76
6.4.8	Digital Output	77
6.4.9	Control Card, RS485 Serial Communication	77

6.4.10	Control Card, 24 V DC Output	77
6.4.11	Relay Output	77
6.4.12	Control Card, 10 V DC Output	78
6.4.13	Ambient Conditions	78

1 Introduction

1.1 Purpose of this Operating Guide

This operating guide provides information for safe installation and commissioning of the AC drive. It is intended for use by qualified personnel. Read and follow the instructions to use the drive safely and professionally. Pay particular attention to the safety instructions and general warnings. Always keep this operating guide available with the drive.

1.2 Trademarks

VLT® is a registered trademark for Danfoss A/S.

1.3 Additional Resources

1.3.1 Other Resources

Other resources are available to understand advanced drive functions and programming.

- The VLT® HVAC Basic Drive FC 101 Programming Guide provides information on how to program and includes complete parameter descriptions.
- The VLT® HVAC Basic Drive FC 101 Design Guide provides all technical information about the drive. It also lists options and accessories.

The technical documentation is available in electronic form online at www.danfoss.com.

1.3.2 MCT 10 Setup Software Support

Download the software from the service and support section on www.danfoss.com.

During the installation process of the software, enter access code 81463800 to activate the VLT® HVAC Basic Drive FC 101 functionality. A license key is not required for using the VLT® HVAC Basic Drive FC 101 functionality.

The latest software does not always contain the latest updates for drives. Contact the local sales office for the latest drive updates (in the form of *.upd files), or download the drive updates from the service and support section on www.danfoss.com.

1.4 Document and Software Version

The operating guide is regularly reviewed and updated. All suggestions for improvement are welcome.

The original language of this manual is English.

Table 1: Document and Software Version

Edition	Remarks	Software version
AQ275641848264en-000101	Update to new software version.	4.4x

From software version 4.0x and later (production week 33 2017 and after), the variable speed heat sink cooling fan function is implemented in the drive for power sizes 22 kW (30 hp) 400 V IP20 and below, 18.5 kW (25 hp) 400 V IP54 and below, and 11 kW (15 hp) 200 V IP20 and below. This function requires software and hardware updates and introduces restrictions with regards to backwards compatibility for H1–H5 and I2–I4 enclosure sizes. Refer to the following table for the limitations.

Table 2: Software and Hardware Compatibility

Software compatibility	Old control card (production week 33 2017 or before)	New control card (production week 34 2017 or after)
Old software (OSS-file version 3.xx and below)	Yes	No
New software (OSS-file version 4.xx or higher)	No	Yes
Hardware compatibility	Old control card (production week 33 2017 or before)	New control card (production week 34 2017 or after)
Old power card (production week 33 2017 or before)	Yes (only software version 3.xx or below)	Yes (MUST update software to version 4.xx or higher)
New power card (production week 34 2017 or after)	Yes (MUST update software to version 3.xx or below, the fan continuously runs at full speed)	Yes (only software version 4.xx or higher)

1.5 Certificates and Approvals

Table 3: Certificates and Approvals

Certification		IP20	IP54
EC Declaration of Conformity		✓	✓
UL Listed		✓	–
RCM		✓	✓
EAC		✓	✓
UkrSEPRO		✓	✓

The drive complies with UL 508C thermal memory retention requirements. For more information, refer to the section *Motor Thermal Protection* in the product-specific design guide.

1.6 Disposal



Do not dispose of equipment containing electrical components together with domestic waste.

Collect it separately in accordance with local and currently valid legislation.

2 Safety

2.1 Safety Symbols

The following symbols are used in this manual:

⚠ DANGER ⚠

Indicates a hazardous situation which, if not avoided, will result in death or serious injury.

⚠ WARNING ⚠

Indicates a hazardous situation which, if not avoided, could result in death or serious injury.

⚠ CAUTION ⚠

Indicates a hazardous situation which, if not avoided, could result in minor or moderate injury.

NOTICE

Indicates information considered important, but not hazard-related (for example, messages relating to property damage).

2.2 Qualified Personnel

To allow trouble-free and safe operation of the unit, only qualified personnel with proven skills are allowed to transport, store, assemble, install, program, commission, maintain, and decommission this equipment.

Persons with proven skills:

- Are qualified electrical engineers, or persons who have received training from qualified electrical engineers and are suitably experienced to operate devices, systems, plant, and machinery in accordance with pertinent laws and regulations.
- Are familiar with the basic regulations concerning health and safety/accident prevention.
- Have read and understood the safety guidelines given in all manuals provided with the unit, especially the instructions given in the Operating Guide.
- Have good knowledge of the generic and specialist standards applicable to the specific application.

2.3 Safety Precautions

⚠ WARNING ⚠

HIGH VOLTAGE

AC drives contain high voltage when connected to AC mains input, DC supply, or load sharing. Failure to perform installation, start-up, and maintenance by qualified personnel can result in death or serious injury.

- Only qualified personnel must perform installation, start-up, and maintenance.

⚠ WARNING ⚠

UNINTENDED START

When the drive is connected to AC mains, DC supply, or load sharing, the motor may start at any time. Unintended start during programming, service, or repair work can result in death, serious injury, or property damage. Start the motor with an external switch, a fieldbus command, an input reference signal from the local control panel (LCP), via remote operation using MCT 10 software, or after a cleared fault condition.

- Disconnect the drive from the mains.
- Press [Off/Reset] on the LCP before programming parameters.
- Ensure that the drive is fully wired and assembled when it is connected to AC mains, DC supply, or load sharing.

⚠ WARNING ⚠

DISCHARGE TIME

The drive contains DC-link capacitors, which can remain charged even when the drive is not powered. High voltage can be present even when the warning indicator lights are off.

Failure to wait the specified time after power has been removed before performing service or repair work could result in death or serious injury.

- Stop the motor.
- Disconnect AC mains, permanent magnet type motors, and remote DC-link supplies, including battery back-ups, UPS, and DC-link connections to other drives.
- Wait for the capacitors to discharge fully. The minimum waiting time is specified in the table *Discharge time* and is also visible on the nameplate on top of the drive.
- Before performing any service or repair work, use an appropriate voltage measuring device to make sure that the capacitors are fully discharged.

Table 4: Discharge Time

Voltage [V]	Power range [kW (hp)]	Minimum waiting time (minutes)
3x200	0.25–3.7 (0.33–5)	4
3x200	5.5–11 (7–15)	15
3x400	0.37–7.5 (0.5–10)	4
3x400	11–90 (15–125)	15
3x600	2.2–7.5 (3–10)	4
3x600	11–90 (15–125)	15

⚠ WARNING ⚠

LEAKAGE CURRENT HAZARD

Leakage currents exceed 3.5 mA. Failure to ground the drive properly can result in death or serious injury.

- Ensure the correct grounding of the equipment by a certified electrical installer.

⚠ WARNING ⚠**EQUIPMENT HAZARD**

Contact with rotating shafts and electrical equipment can result in death or serious injury.

- Ensure that only trained and qualified personnel perform installation, start-up, and maintenance.
- Ensure that electrical work conforms to national and local electrical codes.
- Follow the procedures in this manual.

⚠ CAUTION ⚠**INTERNAL FAILURE HAZARD**

An internal failure in the drive can result in serious injury when the drive is not properly closed.

- Ensure that all safety covers are in place and securely fastened before applying power.

2.4 Motor Thermal Protection

Procedure

1. Set *parameter 1-90 Motor Thermal Protection* to [4] *ETR trip 1* to enable the motor thermal protection function.

3 Installation

3.1 Mechanical Installation

3.1.1 Side-by-side Installation

The drive can be mounted side-by-side but requires the clearance above and below for cooling.

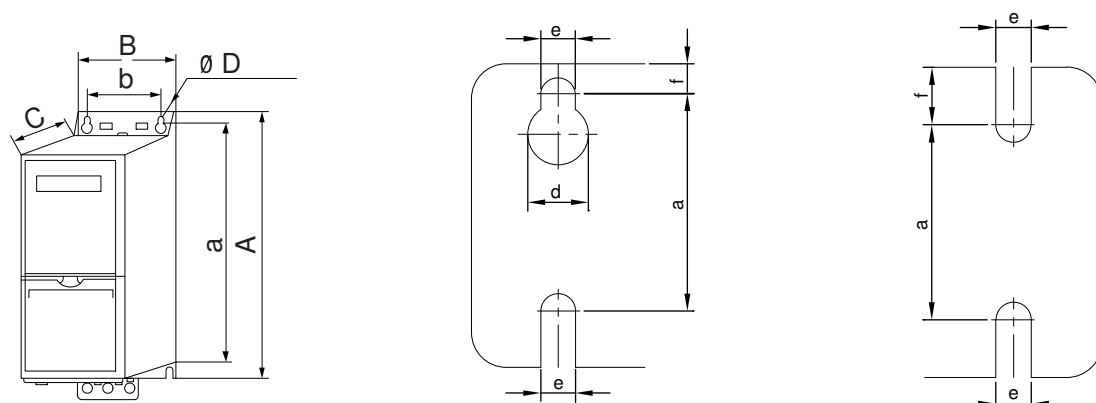
Table 5: Clearance Required for Cooling

Size	IP class	Power [kW (hp)]			Clearance above/below [mm (in)]
		3x200–240 V	3x380–480 V	3x525–600 V	
H1	IP20	0.25–1.5 (0.33–2)	0.37–1.5 (0.5–2)	–	100 (4)
H2	IP20	2.2 (3)	2.2–4 (3–5)	–	100 (4)
H3	IP20	3.7 (5)	5.5–7.5 (7.5–10)	–	100 (4)
H4	IP20	5.5–7.5 (7.5–10)	11–15 (15–20)	–	100 (4)
H5	IP20	11 (15)	18.5–22 (25–30)	–	100 (4)
H6	IP20	15–18.5 (20–25)	30–45 (40–60)	18.5–30 (25–40)	200 (7.9)
H7	IP20	22–30 (30–40)	55–75 (70–100)	37–55 (50–70)	200 (7.9)
H8	IP20	37–45 (50–60)	90 (125)	75–90 (100–125)	225 (8.9)
H9	IP20	–	–	2.2–7.5 (3–10)	100 (4)
H10	IP20	–	–	11–15 (15–20)	200 (7.9)
I2	IP54	–	0.75–4.0 (1–5)	–	100 (4)
I3	IP54	–	5.5–7.5 (7.5–10)	–	100 (4)
I4	IP54	–	11–18.5 (15–25)	–	100 (4)
I6	IP54	–	22–37 (30–50)	–	200 (7.9)
I7	IP54	–	45–55 (60–70)	–	200 (7.9)
I8	IP54	–	75–90 (100–125)	–	225 (8.9)

NOTICE

With IP21/NEMA Type1 option kit mounted, a distance of 50 mm (2 in) between the units is required.

3.1.2 Drive Dimensions



e30b1984.10

Illustration 1: Dimensions

Table 6: Dimensions, Enclosure Sizes H1–H5

Enclosure Size		H1	H2	H3	H4	H5
IP class		IP20	IP20	IP20	IP20	IP20
Power [kW (hp)]	3x200–240 V	0.25–1.5 (0.33–2.0)	2.2 (3.0)	3.7 (5.0)	5.5–7.5 (7.5–10)	11 (15)
	3x380–480 V	0.37–1.5 (0.5–2.0)	2.2–4.0 (3.0–5.0)	5.5–7.5 (7.5–10)	11–15 (15–20)	18.5–22 (25–30)
	3x525–600 V	–	–	–	–	–
Height [mm (in)]	A	195 (7.7)	227 (8.9)	255 (10.0)	296 (11.7)	334 (13.1)
	A ⁽¹⁾	273 (10.7)	303 (11.9)	329 (13.0)	359 (14.1)	402 (15.8)
	a	183 (7.2)	212 (8.3)	240 (9.4)	275 (10.8)	314 (12.4)
Width [mm (in)]	B	75 (3.0)	90 (3.5)	100 (3.9)	135 (5.3)	150 (5.9)
	b	56 (2.2)	65 (2.6)	74 (2.9)	105 (4.1)	120 (4.7)
Depth [mm (in)]	C	168 (6.6)	190 (7.5)	206 (8.1)	241 (9.5)	255 (10)
Mounting hole [mm (in)]	d	9 (0.35)	11 (0.43)	11 (0.43)	12.6 (0.50)	12.6 (0.50)
	e	4.5 (0.18)	5.5 (0.22)	5.5 (0.22)	7 (0.28)	7 (0.28)
	f	5.3 (0.21)	7.4 (0.29)	8.1 (0.32)	8.4 (0.33)	8.5 (0.33)
Maximum weight kg (lb)		2.1 (4.6)	3.4 (7.5)	4.5 (9.9)	7.9 (17.4)	9.5 (20.9)

¹ Including decoupling plate.

Table 7: Dimensions, Enclosure Sizes H6–H10

Enclosure Size	H6	H7	H8	H9	H10
IP class	IP20	IP20	IP20	IP20	IP20

Enclosure Size		H6	H7	H8	H9	H10
Power [kW (hp)]	3x200–240 V	15–18.5 (20–25)	22–30 (30–40)	37–45 (50–60)	–	–
	3x380–480 V	30–45 (40–60)	55–75 (70–100)	90 (125)	–	–
	3x525–600 V	18.5–30 (25–40)	37–55 (50–70)	75–90 (100–125)	2.2–7.5 (3.0–10)	11–15 (15–20)
Height [mm (in)]	A	518 (20.4)	550 (21.7)	660 (26)	269 (10.6)	399 (15.7)
	A⁽¹⁾	595 (23.4)/635 (25), 45 kW	630 (24.8)/690 (27.2), 75 kW	800 (31.5)	374 (14.7)	419 (16.5)
	a	495 (19.5)	521 (20.5)	631 (24.8)	257 (10.1)	380 (15)
Width [mm (in)]	B	239 (9.4)	313 (12.3)	375 (14.8)	130 (5.1)	165 (6.5)
	b	200 (7.9)	270 (10.6)	330 (13)	110 (4.3)	140 (5.5)
Depth [mm (in)]	C	242 (9.5)	335 (13.2)	335 (13.2)	205 (8.0)	248 (9.8)
Mounting hole [mm (in)]	d	–	–	–	11 (0.43)	12 (0.47)
	e	8.5 (0.33)	8.5 (0.33)	8.5 (0.33)	5.5 (0.22)	6.8 (0.27)
	f	15 (0.6)	17 (0.67)	17 (0.67)	9 (0.35)	7.5 (0.30)
Maximum weight kg (lb)		24.5 (54)	36 (79)	51 (112)	6.6 (14.6)	12 (26.5)

¹ Including decoupling plate.

Table 8: Dimensions, Enclosure Sizes I2–I8

Enclosure Size		I2	I3	I4	I6	I7	I8
IP class		IP54	IP54	IP54	IP54	IP54	IP54
Power [kW (hp)]	3x380–480 V	0.75–4.0	5.5–7.5	11–18.5	22–37	45–55	75–90
		(1.0–5.0)	(7.5–10)	(15–25)	(30–50)	(60–70)	(100–125)
Height [mm (in)]	A	332 (13.1)	368 (14.5)	476 (18.7)	650 (25.6)	680 (26.8)	770 (30)
	a	318.5 (12.53)	354 (13.9)	460 (18.1)	624 (24.6)	648 (25.5)	739 (29.1)
Width [mm (in)]	B	115 (4.5)	135 (5.3)	180 (7.0)	242 (9.5)	308 (12.1)	370 (14.6)
	b	74 (2.9)	89 (3.5)	133 (5.2)	210 (8.3)	272 (10.7)	334 (13.2)
Depth [mm (in)]	C	225 (8.9)	237 (9.3)	290 (11.4)	260 (10.2)	310 (12.2)	335 (13.2)
Mounting hole [mm (in)]	d	11 (0.43)	12 (0.47)	12 (0.47)	19 (0.75)	19 (0.75)	19 (0.75)
	e	5.5 (0.22)	6.5 (0.26)	6.5 (0.26)	9 (0.35)	9 (0.35)	9 (0.35)
	f	9 (0.35)	9.5 (0.37)	9.5 (0.37)	9 (0.35)	9.8 (0.39)	9.8 (0.39)
Maximum weight kg (lb)		5.3 (11.7)	7.2 (15.9)	13.8 (30.42)	27 (59.5)	45 (99.2)	65 (143.3)

The dimensions are only for the physical units. When installing in an application, allow space above and below the units for cooling. The amount of space for free air passage is listed in [3.1.1 Side-by-side Installation](#).

3.2 Electrical Installation

3.2.1 Electrical Installation in General

All cabling must comply with national and local regulations on cable cross-sections and ambient temperature. Copper conductors are required. 75 °C (167 °F) is recommended.

Table 9: Tightening Torques for Enclosure Sizes H1–H8, 3x200–240 V & 3x380–480 V

Power [kW (hp)]				Torque [Nm (in-lb)]					
Enclosure size	IP class	3x200–240 V	3x380–480 V	Mains	Motor	DC connection	Control terminals	Ground	Relay
H1	IP20	0.25–1.5 (0.33–2)	0.37–1.5 (0.5–2)	0.8 (7)	0.8 (7)	0.8 (7)	0.5 (4)	0.8 (7)	0.5 (4)
H2	IP20	2.2 (3)	2.2–4.0 (3–5)	0.8 (7)	0.8 (7)	0.8 (7)	0.5 (4)	0.8 (7)	0.5 (4)
H3	IP20	3.7 (5)	5.5–7.5 (7.5–10)	0.8 (7)	0.8 (7)	0.8 (7)	0.5 (4)	0.8 (7)	0.5 (4)
H4	IP20	5.5–7.5 (7.5–10)	11–15 (15–20)	1.2 (11)	1.2 (11)	1.2 (11)	0.5 (4)	0.8 (7)	0.5 (4)
H5	IP20	11 (15)	18.5–22 (25–30)	1.2 (11)	1.2 (11)	1.2 (11)	0.5 (4)	0.8 (7)	0.5 (4)
H6	IP20	15–18.5 (20–25)	30–45 (40–60)	4.5 (40)	4.5 (40)	–	0.5 (4)	3 (27)	0.5 (4)
H7	IP20	22–30 (30–40)	55 (70)	10 (89)	10 (89)	–	0.5 (4)	3 (27)	0.5 (4)
H7	IP20	–	75 (100)	14 (124)	14 (124)	–	0.5 (4)	3 (27)	0.5 (4)
H8	IP20	37–45 (50–60)	90 (125)	24 (212) ⁽¹⁾	24 (212) ⁽¹⁾	–	0.5 (4)	3 (27)	0.5 (4)

¹ Cable dimensions >95 mm².

Table 10: Tightening Torques for Enclosure Sizes I2–I8

Power [kW (hp)]				Torque [Nm (in-lb)]				
Enclosure size	IP class	3x380–480 V	Mains	Motor	DC connection	Control terminals	Ground	Relay
I2	IP54	0.75–4.0 (1–5)	0.8 (7)	0.8 (7)	0.8 (7)	0.5 (4)	0.8 (7)	0.5 (4)
I3	IP54	5.5–7.5 (7.5–10)	0.8 (7)	0.8 (7)	0.8 (7)	0.5 (4)	0.8 (7)	0.5 (4)
I4	IP54	11–18.5 (15–25)	1.2 (11)	1.2 (11)	0.8 (7)	0.5 (4)	0.8 (7)	0.5 (4)
I6	IP54	22–37 (30–50)	4.5 (40)	4.5 (40)	–	0.5 (4)	3 (27)	0.6 (5)
I7	IP54	45–55 (60–70)	10 (89)	10 (89)	–	0.5 (4)	3 (27)	0.6 (5)

Power [kW (hp)]				Torque [Nm (in-lb)]				
I8	IP54	75–90 (100–125)	14 (124)/24 (212) ⁽¹⁾	14 (124)/24 (212) ⁽¹⁾	–	0.5 (4)	3 (27)	0.6 (5)

¹ Cable dimensions ≤95 mm².

Table 11: Tightening Torques for Enclosure Sizes H6–H10, 3x525–600 V

Power [kW (hp)]				Torque [Nm (in-lb)]				
Enclo- sure size	IP class	3x525–600 V	Mains	Motor	DC connec- tion	Control ter- minals	Ground	Relay
H9	IP20	2.2–7.5 (3–10)	1.8 (16)	1.8 (16)	Not recom- mended	0.5 (4)	3 (27)	0.6 (5)
H10	IP20	11–15 (15–20)	1.8 (16)	1.8 (16)	Not recom- mended	0.5 (4)	3 (27)	0.6 (5)
H6	IP20	18.5–30 (25–40)	4.5 (40)	4.5 (40)	–	0.5 (4)	3 (27)	0.5 (4)
H7	IP20	37–55 (50–70)	10 (89)	10 (89)	–	0.5 (4)	3 (27)	0.5 (4)
H8	IP20	75–90 (100–125)	14 (124)/24 (212) ⁽¹⁾	14 (124)/24 (212) ⁽¹⁾	–	0.5 (4)	3 (27)	0.5 (4)

¹ Cable dimensions ≤95 mm².

3.2.2 IT Mains

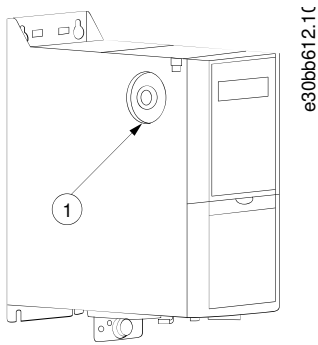
CAUTION

IT Mains

Installation on isolated mains source, that is, IT mains.

- Ensure that the supply voltage does not exceed 440 V (3x380–480 V units) when connected to mains.

On IP20, 200–240 V, 0.25–11 kW (0.33–15 hp) and 380–480 V, IP20, 0.37–22 kW (0.5–30 hp) units, open the RFI switch by removing the screw on the side of the drive when at IT grid.

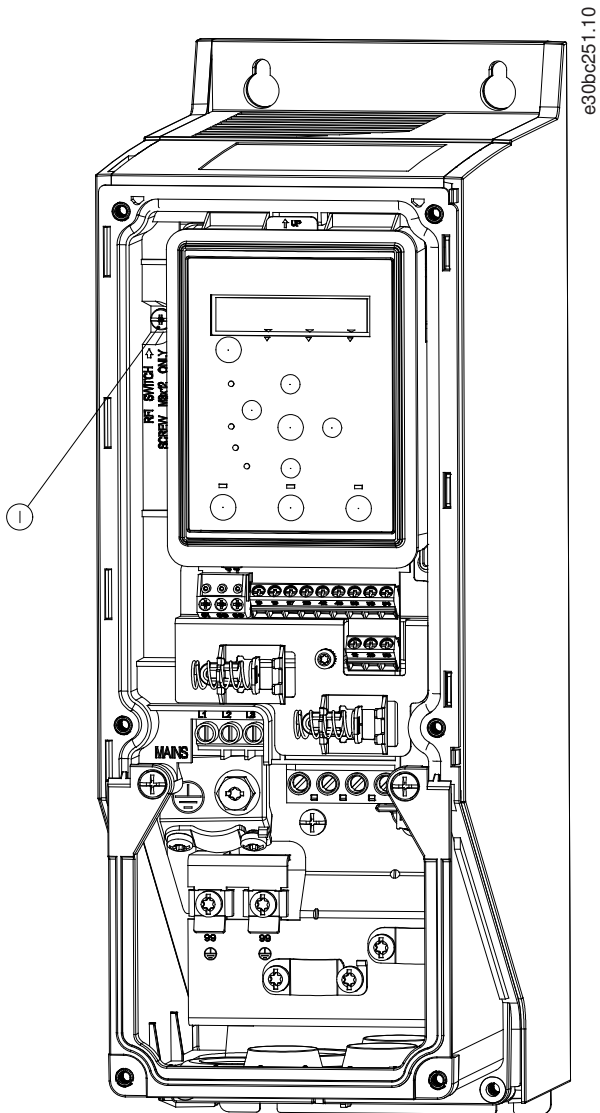


1 EMC screw

Illustration 2: IP20, 200–240 V, 0.25–11 kW (0.33–15 hp), IP20, 0.37–22 kW (0.5–30 hp), 380–480 V

On 400 V, 30–90 kW (40–125 hp) and 600 V units, set *parameter 14-50 RFI Filter* to [0] Off when operating in IT mains.

For IP54, 400 V, 0.75–18.5 kW (1–25 hp) units, the EMC screw is inside the drive, as shown in the the following illustration.



1 EMC screw

Illustration 3: IP54, 400 V, 0.75–18.5 kW (1–25 hp)

NOTICE

If reinserted, use only M3x12 screw.

3.2.3 Mains and Motor Connection

3.2.3.1 Introduction

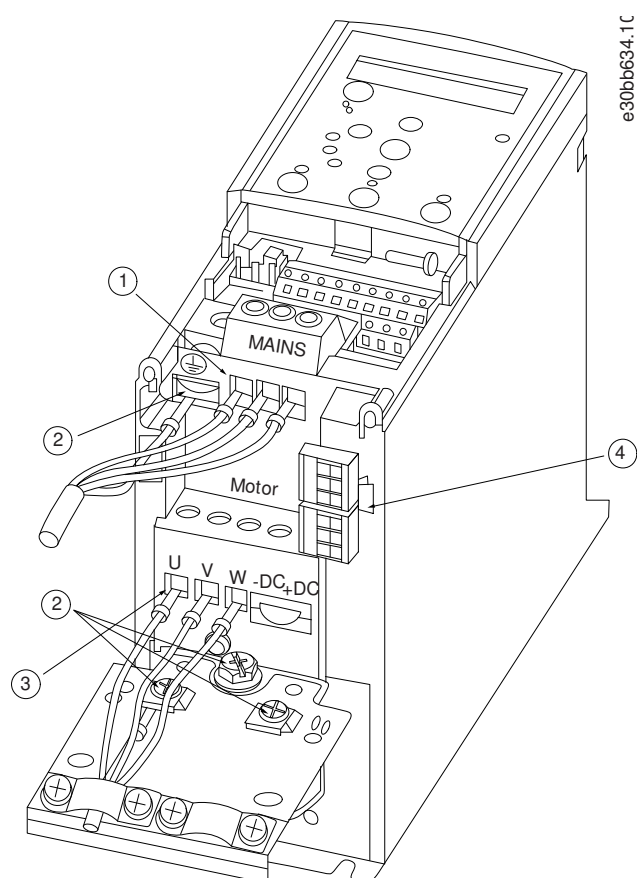
The drive is designed to operate all standard 3-phase asynchronous motors.

- Use a shielded/armored motor cable to comply with EMC emission specifications and connect this cable to both the decoupling plate and the motor.
- Keep the motor cable as short as possible to reduce the noise level and leakage currents.
- For further details on mounting the decoupling plate, see *VLT® HVAC Basic Drive Decoupling Plate Mounting Instruction*.
- Also see EMC-Correct Installation in the [3.2.5 EMC-correct Electrical Installation](#).

3.2.3.2 Connecting to Mains and Motor

1. Mount the ground cables to the ground terminal.
2. Connect the motor to terminals U, V, and W, and then tighten the screws according to the torques.
3. Connect the mains supply to terminals L1, L2, and L3, and then tighten the screws according to the torques described in [3.2.1 Electrical Installation in General](#).

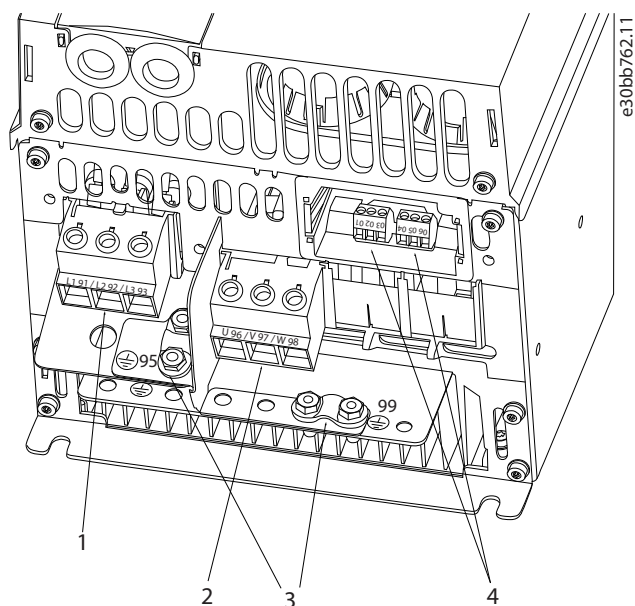
3.2.3.3 Relays and Terminals on Enclosure Sizes H1–H5



1 Mains	2 Ground
3 Motor	4 Relays

Illustration 4: Enclosure Sizes H1–H5, IP20, 200–240 V, 0.25–11 kW (0.33–15 hp), IP20, 380–480 V, 0.37–22 kW (0.5–30 hp)

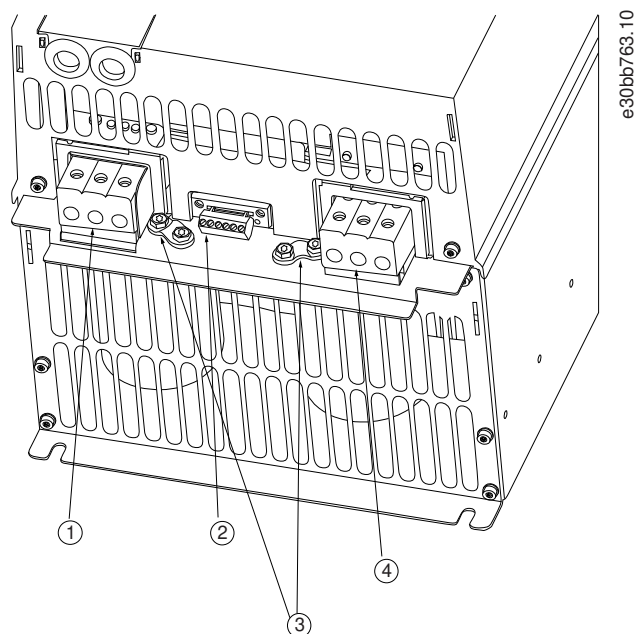
3.2.3.4 Relays and Terminals on Enclosure Size H6



1 Mains	2 Motor
3 Ground	4 Relays

Illustration 5: Enclosure Size H6 , IP20, 380–480 V, 30–45 kW (40–60 hp) , IP20, 200–240 V, 15–18.5 kW (20–25 hp) , IP20, 525–600 V, 22–30 kW (30–40 hp)

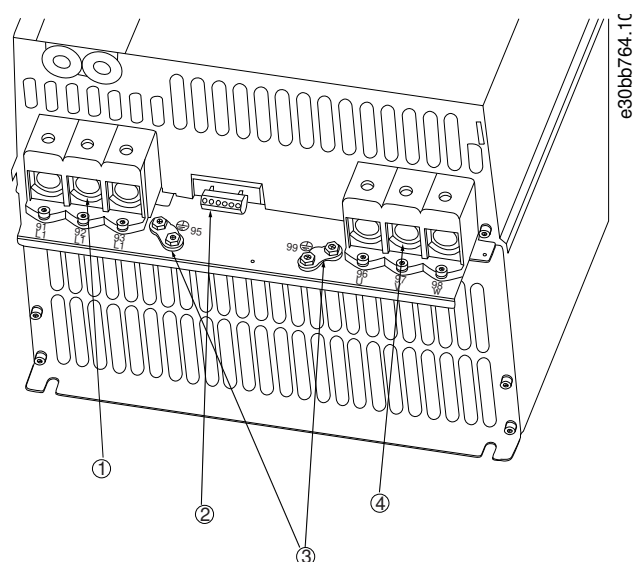
3.2.3.5 Relays and Terminals on Enclosure Size H7



1 Mains	2 Relays
3 Ground	4 Motor

Illustration 6: Enclosure Size H7, IP20, 380–480 V, 55–75 kW (70–100 hp), IP20, 200–240 V, 22–30 kW (30–40 hp), IP20, 525–600 V, 45–55 kW (60–70 hp)

3.2.3.6 Relays and Terminals on Enclosure Size H8



1 Mains	2 Relays
---------	----------

3 Ground	4 Motor
----------	---------

Illustration 7: Enclosure Size H8, IP20, 380–480 V, 90 kW (125 hp), IP20, 200–240 V, 37–45 kW (50–60 hp), IP20, 525–600 V, 75–90 kW (100–125 hp)

3.2.3.7 Connecting to Mains and Motor for Enclosure Size H9

Context:

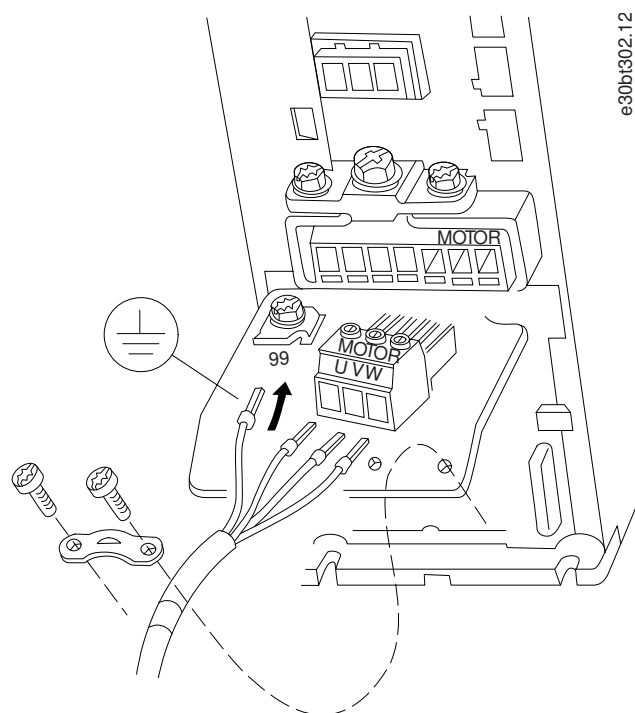


Illustration 8: Connecting the Drive to the Motor, Enclosure Size H9 IP20, 600 V, 2.2–7.5 kW (3.0–10 hp)

Procedure

1. Slide the mounting plate into place and tighten the 2 screws as shown in the following illustration.

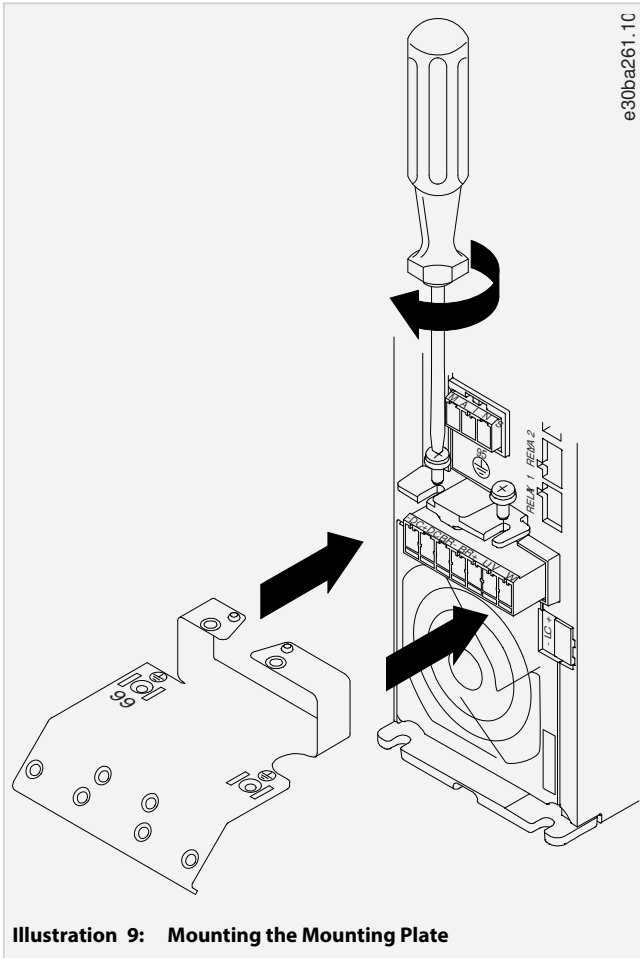


Illustration 9: Mounting the Mounting Plate

2. Mount the ground cable as shown in the following illustration.

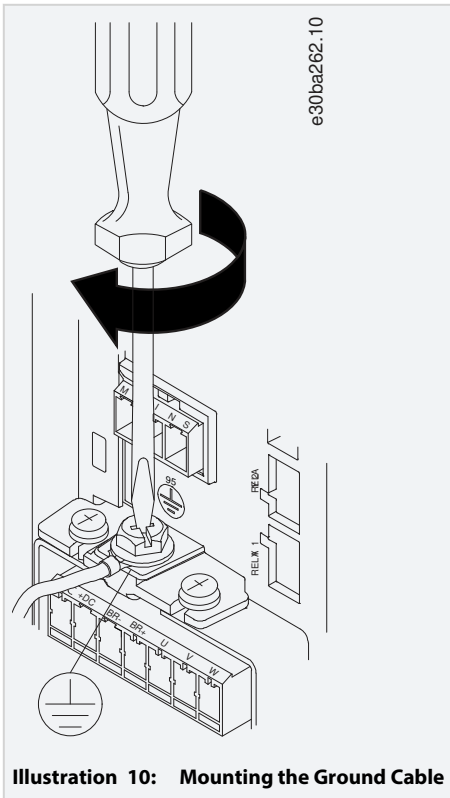


Illustration 10: Mounting the Ground Cable

3. Insert the mains cables to the mains plug and tighten the screws as shown in the following illustration. Use the tightening torques described in [3.2.1 Electrical Installation in General](#).

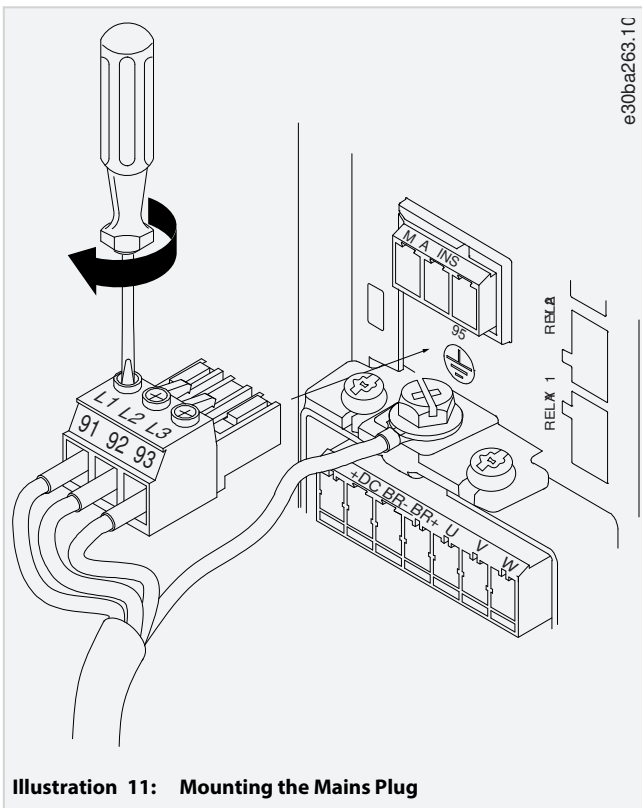
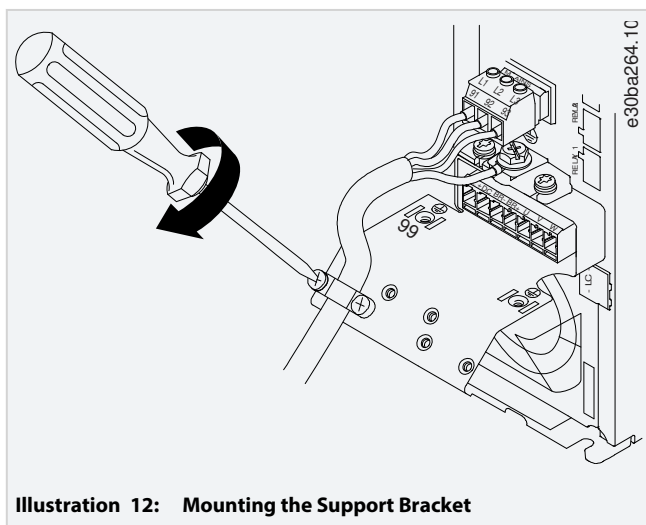
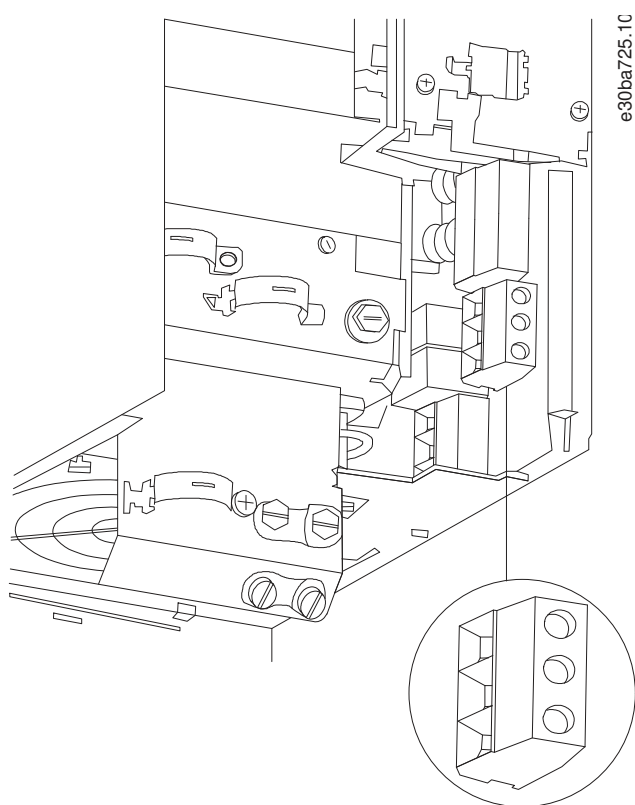


Illustration 11: Mounting the Mains Plug

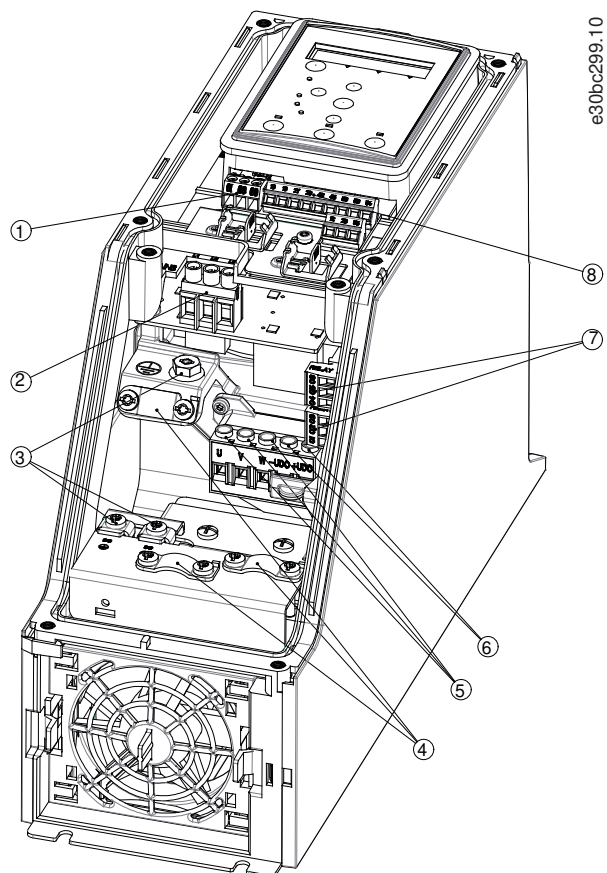
4. Mount the support bracket across the mains cables and tighten the screws as shown in the following illustration. Use the tightening torques described in [3.2.1 Electrical Installation in General](#).



3.2.3.8 Relays and Terminals on Enclosure Size H10



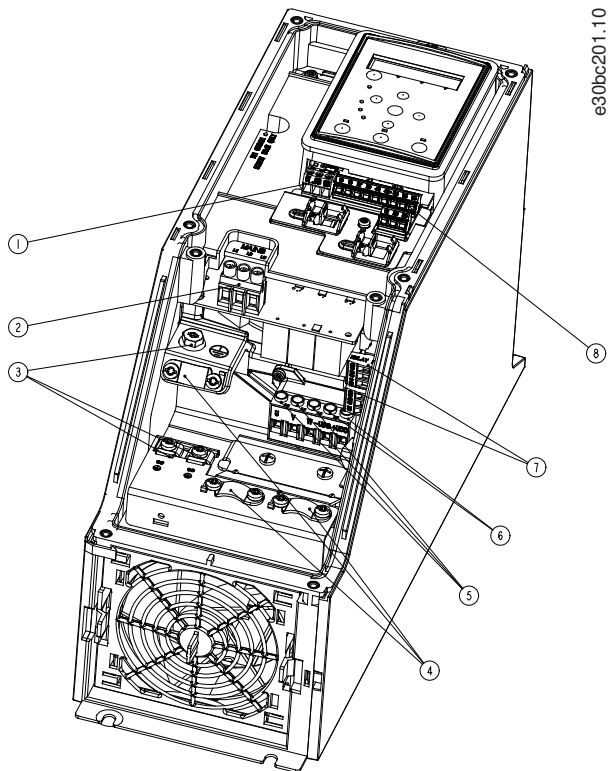
3.2.3.9 Enclosure Size I2



1 RS485	2 Mains
3 Ground	4 Cable clamps
5 Motor	6 UDC
7 Relays	8 I/O

Illustration 14: Enclosure Size I2, IP54, 380–480 V, 0.75–4.0 kW (1–5 hp)

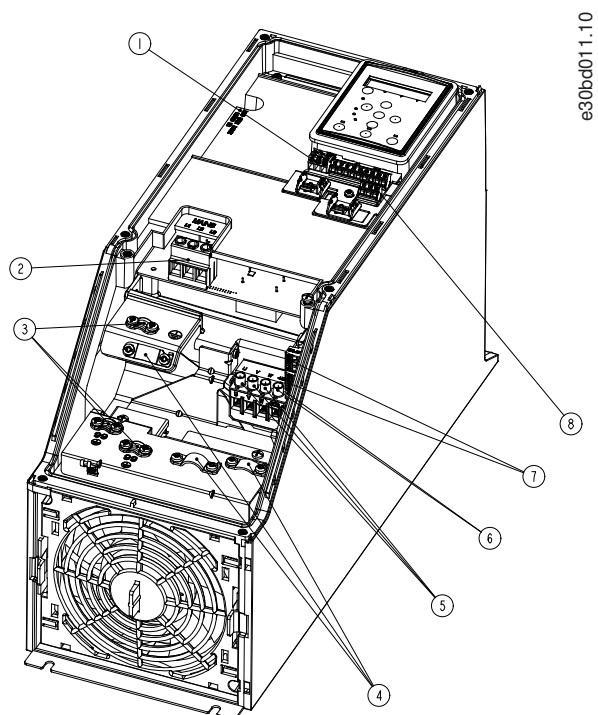
3.2.3.10 Enclosure Size I3



1 RS485	2 Mains
3 Ground	4 Cable clamps
5 Motor	6 UDC
7 Relays	8 I/O

Illustration 15: Enclosure Size I3, IP54, 380–480 V, 5.5–7.5 kW (7.5–10 hp)

3.2.3.11 Enclosure Size I4

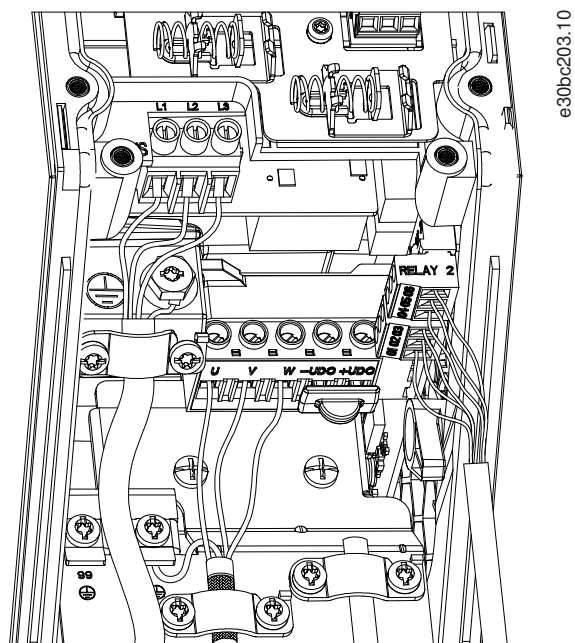


e30bd011.10

1 RS485	2 Mains
3 Ground	4 Cable clamps
5 Motor	6 UDC
7 Relays	8 I/O

Illustration 16: Enclosure Size I4, IP54, 380–480 V, 0.75–4.0 kW (1–5 hp)

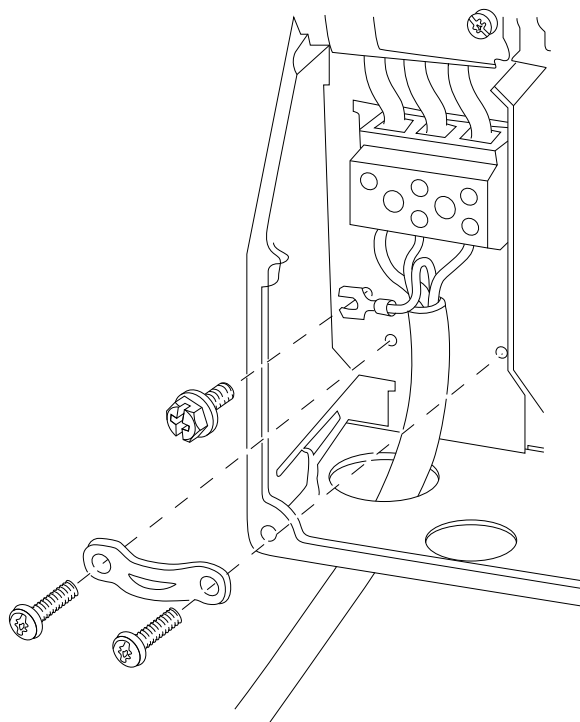
3.2.3.12 IP54 Enclosure Sizes I2, I3, I4



e30bc203.10

Illustration 17: IP54 Enclosure Sizes I2, I3, I4

3.2.3.13 Enclosure size I6



e30bt326.10

Illustration 18: Connecting to Mains for Enclosure Size I6, IP54, 380–480 V, 22–37 kW (30–50 hp)

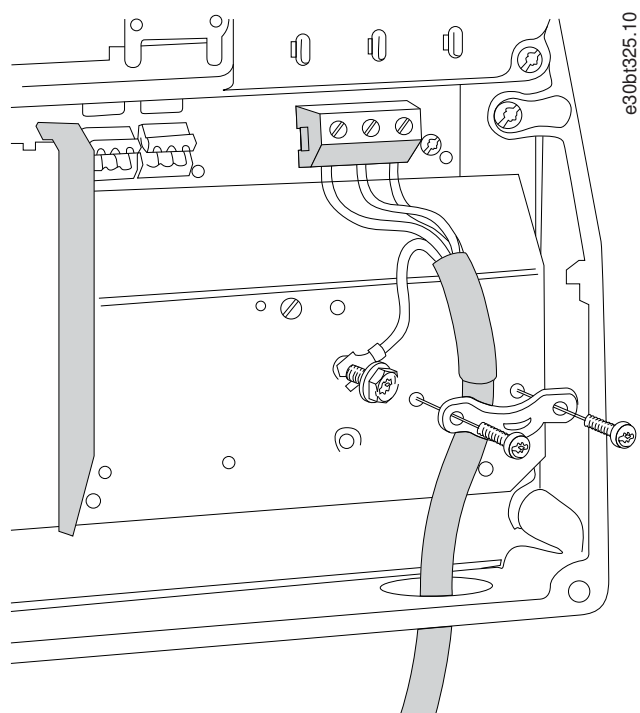


Illustration 19: Connecting to Motor for Enclosure Size I6, IP54, 380-480 V, 22-37 kW (30-50 hp)

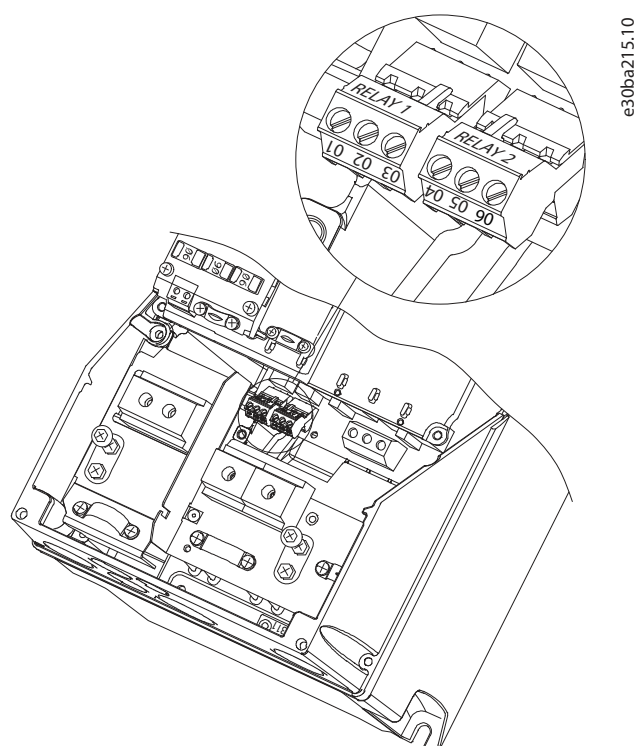


Illustration 20: Relays on Enclosure Size I6, IP54, 380-480 V, 22-37 kW (30-50 hp)

3.2.3.14 Enclosure size I7, I8

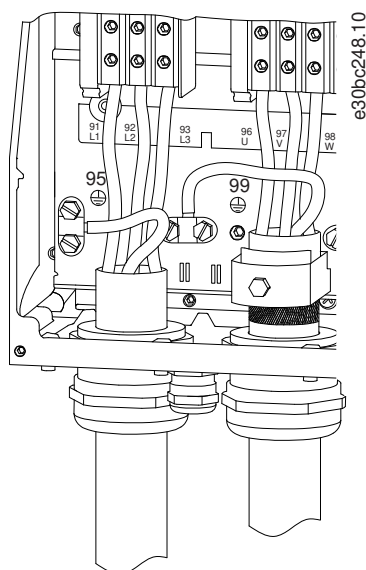


Illustration 21: Enclosure Sizes I7, I8, IP54, 380–480 V, 45–55 kW (60–70 hp), IP54, 380–480 V, 75–90 kW (100–125 hp)

3.2.4 Fuses and Circuit Breakers

3.2.4.1 Branch Circuit Protection

To prevent fire hazards, protect the branch circuits in an installation - switch gear, machines, and so on - against short circuits and overcurrent. Follow national and local regulations.

3.2.4.2 Short-circuit Protection

Danfoss recommends using the fuses and circuit breakers listed in this chapter to protect service personnel or other equipment in case of an internal failure in the unit or a short circuit on the DC link. The drive provides full short-circuit protection in case of a short circuit on the motor.

3.2.4.3 Overcurrent Protection

Provide overload protection to avoid overheating of the cables in the installation. Overcurrent protection must always be carried out according to local and national regulations. Design circuit breakers and fuses for protection in a circuit capable of supplying a maximum of 100000 A_{rms} (symmetrical), 480 V maximum.

3.2.4.4 UL/Non-UL Compliance

To ensure compliance with UL or IEC 61800-5-1, use the circuit breakers or fuses listed in this chapter. Circuit breakers must be designed for protection in a circuit capable of supplying a maximum of 10000 A_{rms} (symmetrical), 480 V maximum.

3.2.4.5 Recommendation of Fuses and Circuit Breakers

NOTICE

In the event of malfunction, failure to follow the protection recommendation may result in damage to the drive.

Table 12: Fuses and Circuit Breakers

	Circuit breaker		Fuse				
	UL	Non-UL	UL				Non-UL
			Bussmann	Bussmann	Bussmann	Bussmann	Maximum fuse
Power [kW (hp)]			Type RK5	Type RK1	Type J	Type T	Type G
3x200–240 V IP20							
0.25 (0.33)	–	–	FRS-R-10	KTN-R10	JKS-10	JJN-10	10
0.37 (0.5)			FRS-R-10	KTN-R10	JKS-10	JJN-10	10
0.75 (1)			FRS-R-10	KTN-R10	JKS-10	JJN-10	10
1.5 (2)			FRS-R-10	KTN-R10	JKS-10	JJN-10	10
2.2 (3)			FRS-R-15	KTN-R15	JKS-15	JJN-15	16
3.7 (5)			FRS-R-25	KTN-R25	JKS-25	JJN-25	25
5.5 (7.5)			FRS-R-50	KTN-R50	JKS-50	JJN-50	50
7.5 (10)			FRS-R-50	KTN-R50	JKS-50	JJN-50	50
11 (15)			FRS-R-80	KTN-R80	JKS-80	JJN-80	65
15 (20)	Cutler-Hammer EGE3100FFG	Moeller NZMB1- A125	FRS-R-100	KTN-R100	JKS-100	JJN-100	125
18.5 (25)			FRS-R-100	KTN-R100	JKS-100	JJN-100	125
22 (30)	Cutler-Hammer JGE3150FFG	Moeller NZMB1- A160	FRS-R-150	KTN-R150	JKS-150	JJN-150	160
30 (40)			FRS-R-150	KTN-R150	JKS-150	JJN-150	160
37 (50)	Cutler-Hammer JGE3200FFG	Moeller NZMB1- A200	FRS-R-200	KTN-R200	JKS-200	JJN-200	200
45 (60)			FRS-R-200	KTN-R200	JKS-200	JJN-200	200
3x380–480 V IP20							

0.37 (0.5)	–	–	FRS-R-10	KTS-R10	JKS-10	JJS-10	10
0.75 (1)			FRS-R-10	KTS-R10	JKS-10	JJS-10	10
1.5 (2)			FRS-R-10	KTS-R10	JKS-10	JJS-10	10
2.2 (3)			FRS-R-15	KTS-R15	JKS-15	JJS-15	16
3 (4)			FRS-R-15	KTS-R15	JKS-15	JJS-15	16
4 (5)			FRS-R-15	KTS-R15	JKS-15	JJS-15	16
5.5 (7.5)			FRS-R-25	KTS-R25	JKS-25	JJS-25	25
7.5 (10)			FRS-R-25	KTS-R25	JKS-25	JJS-25	25
11 (15)			FRS-R-50	KTS-R50	JKS-50	JJS-50	50
15 (20)			FRS-R-50	KTS-R50	JKS-50	JJS-50	50
18.5 (25)			FRS-R-80	KTS-R80	JKS-80	JJS-80	65
22 (30)			FRS-R-80	KTS-R80	JKS-80	JJS-80	65
30 (40)	Cutler-Hammer EGE3125FFG	Moeller NZMB1- A125	FRS-R-125	KTS-R125	JKS-R125	JJS-R125	80
37 (50)			FRS-R-125	KTS-R125	JKS-R125	JJS-R125	100
45 (60)			FRS-R-125	KTS-R125	JKS-R125	JJS-R125	125
55 (70)	Cutler-Hammer JGE3200FFG	Moeller NZMB1- A200	FRS-R-200	KTS-R200	JKS-R200	JJS-R200	150
75 (100)			FRS-R-200	KTS-R200	JKS-R200	JJS-R200	200
90 (125)	Cutler-Hammer JGE3250FFG	Moeller NZMB2- A250	FRS-R-250	KTS-R250	JKS-R250	JJS-R250	250
3x525–600 V IP20							
2.2 (3)	–	–	FRS-R-20	KTS-R20	JKS-20	JJS-20	20
3 (4)			FRS-R-20	KTS-R20	JKS-20	JJS-20	20
3.7 (5)			FRS-R-20	KTS-R20	JKS-20	JJS-20	20
5.5 (7.5)			FRS-R-20	KTS-R20	JKS-20	JJS-20	20
7.5 (10)			FRS-R-20	KTS-R20	JKS-20	JJS-20	30
11 (15)	–	–	FRS-R-30	KTS-R30	JKS-30	JJS-30	35
15 (20)			FRS-R-30	KTS-R30	JKS-30	JJS-30	35
18.5 (25)	Cutler-Hammer EGE3080FFG	Cutler-Hammer EGE3080FFG	FRS-R-80	KTS-R80	JKS-80	JJS-80	80
22 (30)			FRS-R-80	KTS-R80	JKS-80	JJS-80	80
30 (40)			FRS-R-80	KTS-R80	JKS-80	JJS-80	80
37 (50)	Cutler-Hammer JGE3125FFG	Cutler-Hammer JGE3125FFG	FRS-R-125	KTS-R125	JKS-125	JJS-125	125
45 (60)			FRS-R-125	KTS-R125	JKS-125	JJS-125	125
55 (70)			FRS-R-125	KTS-R125	JKS-125	JJS-125	125
75 (100)	Cutler-Hammer JGE3200FAG	Cutler-Hammer JGE3200FAG	FRS-R-200	KTS-R200	JKS-200	JJS-200	200
90 (125)		–	FRS-R-200	KTS-R200	JKS-200	JJS-200	200

3x380–480 V IP54							
0.75 (1)	–	PKZM0-16	FRS-R-10	KTS-R-10	JKS-10	JJS-10	16
1.5 (2)		PKZM0-16	FRS-R-10	KTS-R-10	JKS-10	JJS-10	16
2.2 (3)		PKZM0-16	FRS-R-15	KTS-R-15	JKS-15	JJS-15	16
3 (4)		PKZM0-16	FRS-R-15	KTS-R-15	JKS-15	JJS-15	16
4 (5)		PKZM0-16	FRS-R-15	KTS-R-15	JKS-15	JJS-15	16
5.5 (7.5)		PKZM0-25	FRS-R-25	KTS-R-25	JKS-25	JJS-25	25
7.5 (10)		PKZM0-25	FRS-R-25	KTS-R-25	JKS-25	JJS-25	25
11 (15)		PKZM4-63	FRS-R-50	KTS-R-50	JKS-50	JJS-50	63
15 (20)		PKZM4-63	FRS-R-50	KTS-R-50	JKS-50	JJS-50	63
18.5 (25)		PKZM4-63	FRS-R-80	KTS-R-80	JKS-80	JJS-80	63
22 (30)	Moeller NZMB1- A125	–	FRS-R-80	KTS-R-80	JKS-80	JJS-80	125
30 (40)			FRS-R-125	KTS-R-125	JKS-125	JJS-125	125
37 (50)			FRS-R-125	KTS-R-125	JKS-125	JJS-125	125
45 (60)	Moeller NZMB2- A160	–	FRS-R-125	KTS-R-125	JKS-125	JJS-125	160
55 (70)			FRS-R-200	KTS-R-200	JKS-200	JJS-200	160
75 (100)	Moeller NZMB2- A250	–	FRS-R-200	KTS-R-200	JKS-200	JJS-200	200
90 (125)			FRS-R-250	KTS-R-250	JKS-200	JJS-200	200

3.2.5 EMC-correct Electrical Installation

General points to be observed to ensure EMC-correct electrical installation:

- Use only shielded/armored motor cables and shielded/armored control cables.
- Ground the shield at both ends.
- Avoid installation with twisted shield ends (pigtailed), because it reduces the shielding effect at high frequencies. Use the cable clamps provided.
- Ensure the same potential between the drive and the ground potential of PLC.
- Use star washers and galvanically conductive installation plates.

e30bb761.12

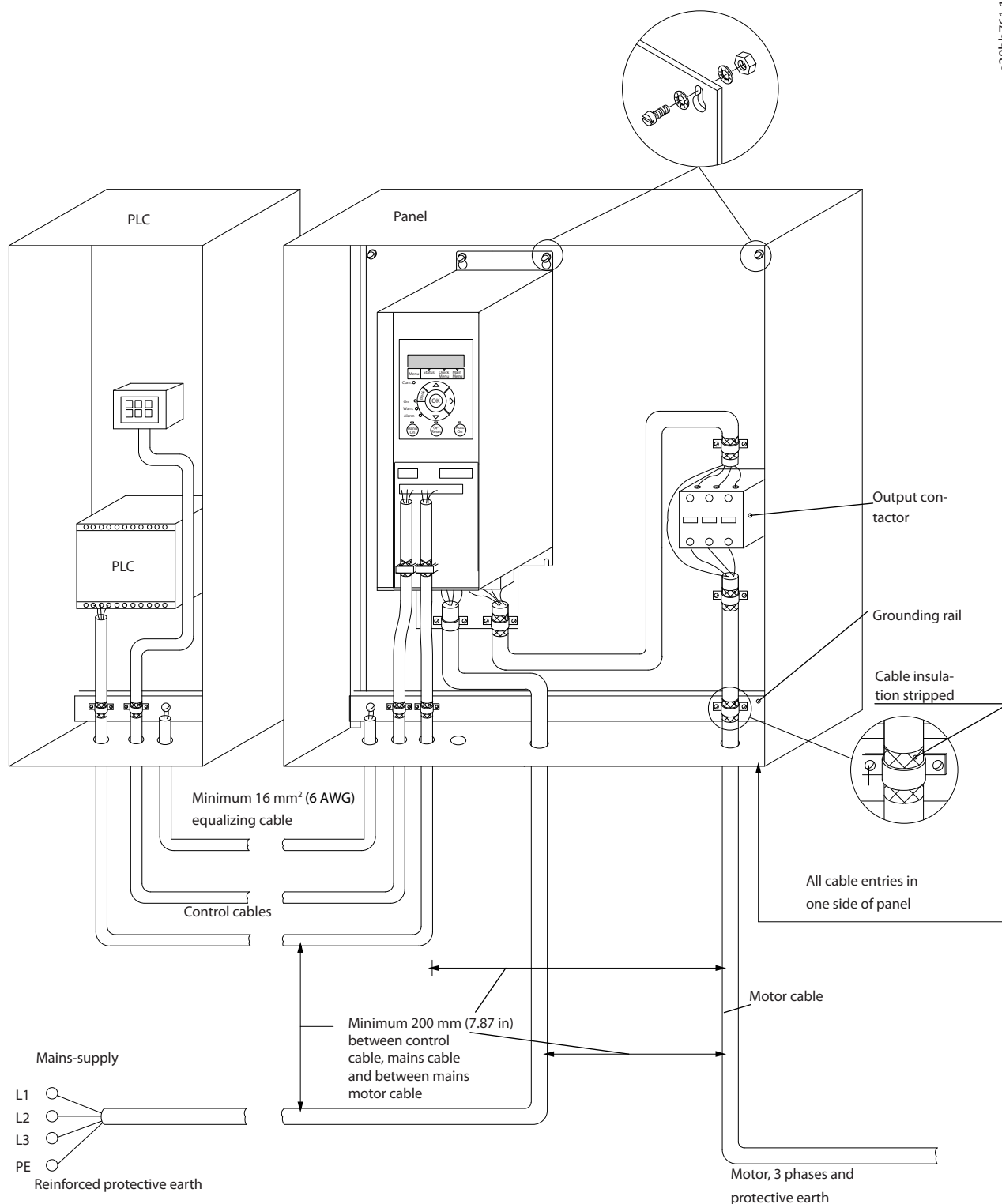


Illustration 22: EMC-correct Electrical Installation

3.2.6 Control Terminals

Remove the terminal cover to access the control terminals.

Use a flat-edged screwdriver to push down the lock lever of the terminal cover under the LCP, then remove the terminal cover as shown in the following illustration.

For IP54 units, control terminals can be accessed after removing the front cover.

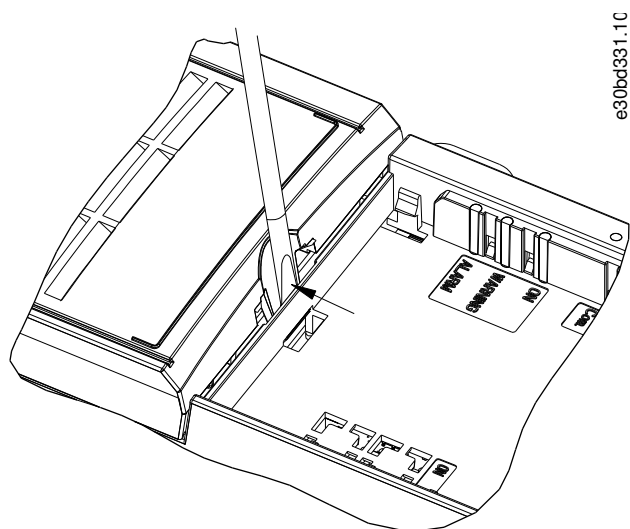


Illustration 23: Removing the Terminal Cover

The following illustration shows all the drive control terminals. Applying start (terminal 18), connection between terminals 12-27, and an analog reference (terminal 53 or 54, and 55) make the drive run.

The digital input mode of terminal 18, 19, and 27 is set in *parameter 5-00 Digital Input Mode* (PNP is default value). Digital input 29 mode is set in *parameter 5-03 Digital Input 29 Mode* (PNP is default value).

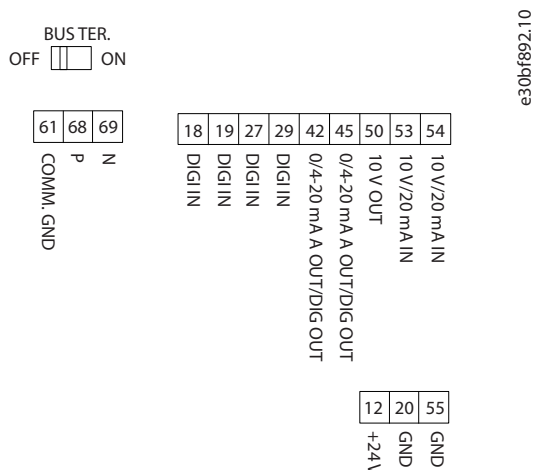


Illustration 24: Control Terminals

3.2.7 Electrical Wiring

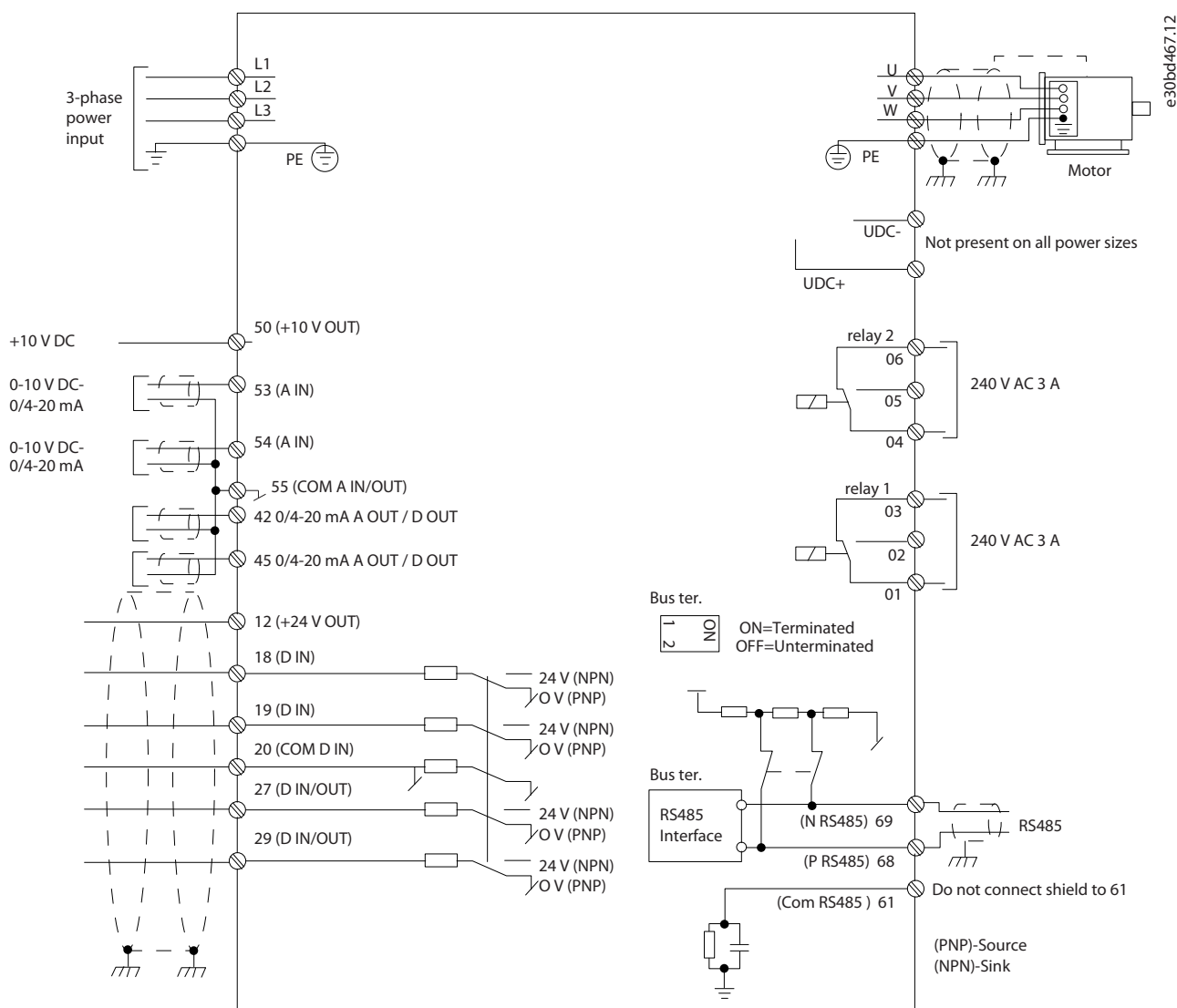


Illustration 25: Basic Wiring Schematic Drawing

NOTICE

There is no access to UDC- and UDC+ on the following units:

- IP20, 380–480 V, 30–90 kW (40–125 hp)
- IP20, 200–240 V, 15–45 kW (20–60 hp)
- IP20, 525–600 V, 2.2–90 kW (3–125 hp)
- IP54, 380–480 V, 22–90 kW (30–125 hp)

3.2.8 Acoustic Noise or Vibration

If the motor or the equipment driven by the motor - for example, a fan - is making noise or vibrations at certain frequencies, configure the following parameters or parameter groups to reduce or eliminate the noise or vibrations:

- *Parameter group 4-6* Speed Bypass.*
- *Set parameter 14-03 Overmodulation to [0] Off.*
- *Switching pattern and switching frequency parameter group 14-0* Inverter Switching.*
- *Parameter 1-64 Resonance Dampening.*

4 Programming

4.1 Local Control Panel (LCP)

The drive can be programmed from the LCP or from a PC via the RS485 COM port by installing the MCT 10 Setup Software.

The LCP is divided into 4 functional sections.

- A. Display
- B. Menu key
- C. Navigation keys and indicator lights
- D. Operation keys and indicator lights

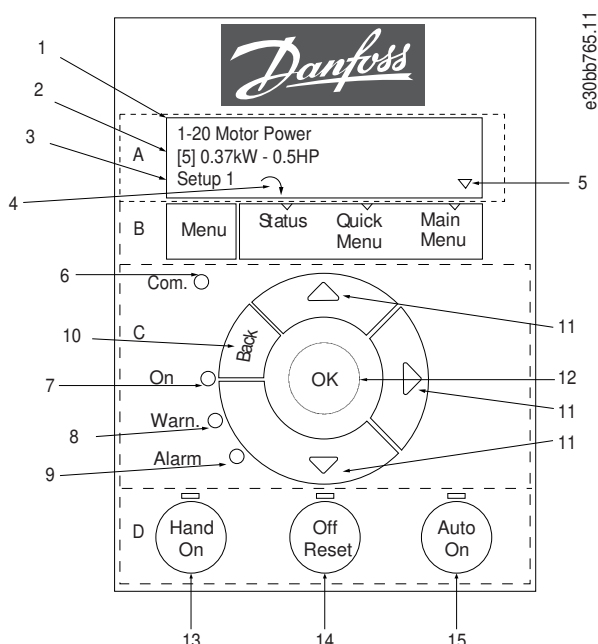


Illustration 26: Local Control Panel (LCP)

A. Display

The LCD-display is illuminated with 2 alphanumeric lines. All data is shown on the LCP. The [illustration 26](#) describes the information that can be read from the display.

Table 13: Legend to Section A

1	Parameter number and name.
2	Parameter value.
3	Setup number shows the active setup and the edit setup. If the same setup acts as both active and edit setup, only that setup number is shown (factory setting). When active and edit setup differ, both numbers are shown in the display (setup 12). The number flashing indicates the edit setup.
4	Motor direction is shown to the bottom left of the display – indicated by a small arrow pointing either clockwise or counter-clockwise.

5	The triangle indicates if the LCP is in Status, Quick Menu, or Main Menu.
---	---

B. Menu key

Press [Menu] to select among Status, Quick Menu, or Main Menu.

C. Navigation keys and indicator lights

Table 14: Legend to Section C

6	Com. LED: Flashes during bus communication.
7	Green LED/On: Control section is working correctly.
8	Yellow LED/Warn.: Indicates a warning.
9	Flashing Red LED/Alarm: Indicates an alarm.
10	[Back]: For moving to the previous step or layer in the navigation structure.
11	[Δ] [▽] [▶]: For navigating among parameter groups and parameters, and within parameters. They can also be used for setting local reference.
12	[OK]: For selecting a parameter and for accepting changes to parameter settings.

D. Operation keys and indicator lights

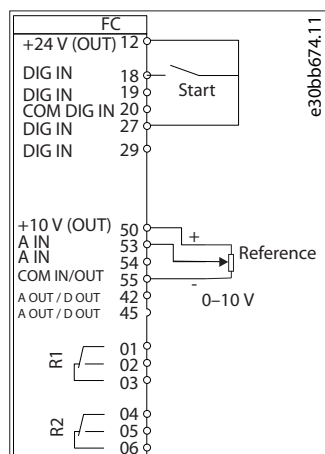
Table 15: Legend to Section D

13	[Hand On]: Starts the motor and enables control of the drive via the LCP.
<div style="background-color: #cccccc; padding: 5px; border: 1px solid black;"> <p style="margin: 0;">NOTICE</p> <p style="margin: 0;">[2] Coast inverse is the default option for parameter 5-12 Terminal 27 Digital Input. If there is no 24 V supply to terminal 27, [Hand On] does not start the motor. Connect terminal 12 to terminal 27.</p> </div>	
14	[Off/Reset]: Stops the motor (Off). If in alarm mode, the alarm is reset.
15	[Auto On]: The drive is controlled either via control terminals or serial communication.

4.2 Setup Wizard

4.2.1 Setup Wizard Introduction

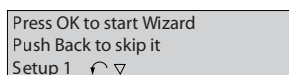
The built-in wizard menu guides the installer through the setup of the drive in a clear and structured manner for open-loop and closed-loop applications, and for quick motor settings.



e30bb674.11

Illustration 27: Drive Wiring

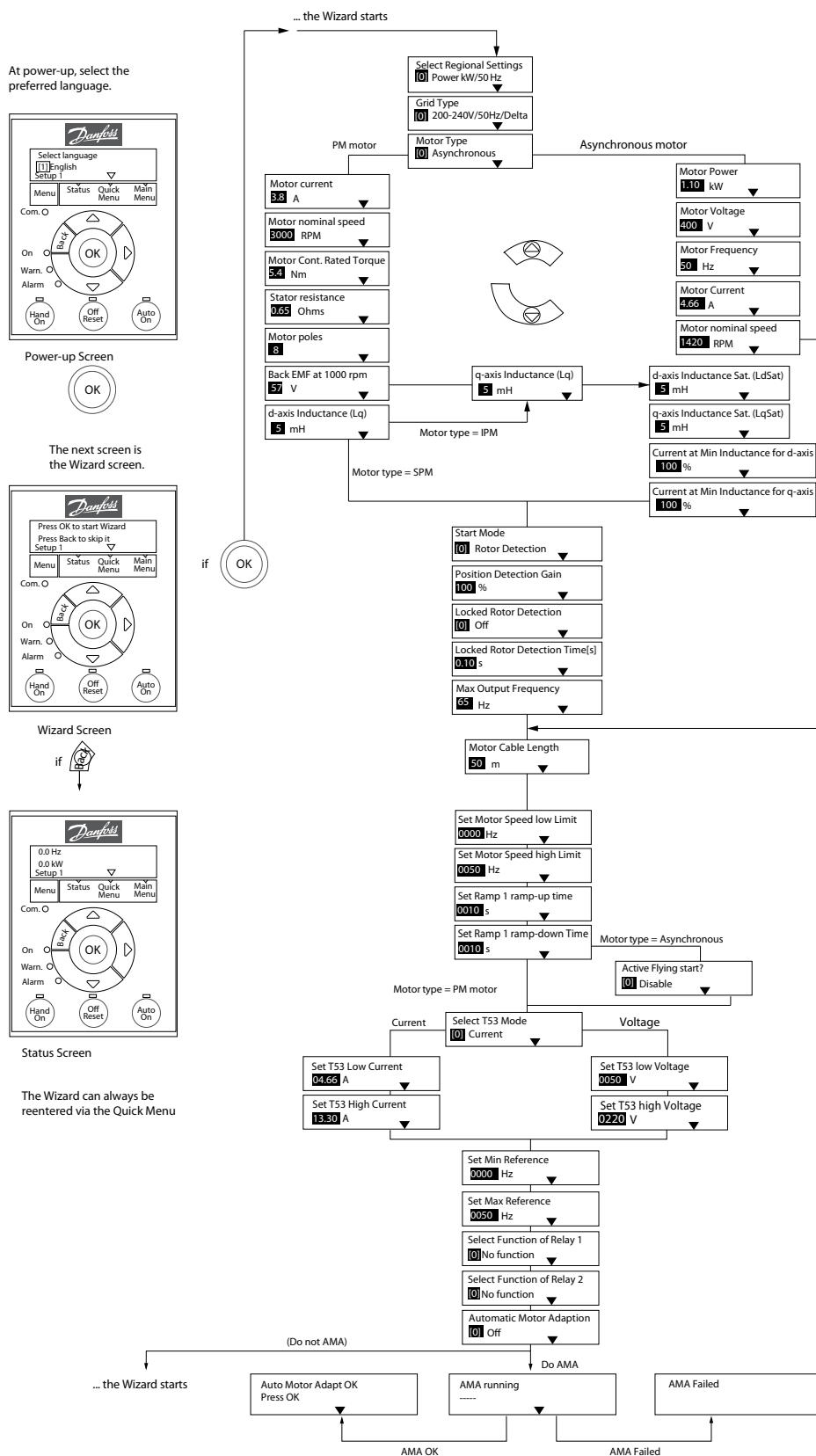
The wizard is shown after power-up until any parameter has been changed. The wizard can always be accessed again through the quick menu. Press [OK] to start the wizard. Press [Back] to return to the status view.



e30bb629.10

Illustration 28: Start-up/Quit Wizard

4.2.2 Setup Wizard for Open-loop Applications



e30bc244.16

Illustration 29: Setup Wizard for Open-loop Applications

Table 16: Setup Wizard for Open-loop Applications

Parameter	Option	Default	Usage
Parameter 0-03 Regional Settings	[0] International [1] US	[0] International	–
Parameter 0-06 GridType	[0] 200–240 V/50 Hz/IT-grid [1] 200–240 V/50 Hz/Delta [2] 200–240 V/50 Hz [10] 380–440 V/50 Hz/IT-grid [11] 380–440 V/50 Hz/Delta [12] 380–440 V/50 Hz [20] 440–480 V/50 Hz/IT-grid [21] 440–480 V/50 Hz/Delta [22] 440–480 V/50 Hz [30] 525–600 V/50 Hz/IT-grid [31] 525–600 V/50 Hz/Delta [32] 525–600 V/50 Hz [100] 200–240 V/60 Hz/IT-grid [101] 200–240 V/60 Hz/Delta [102] 200–240 V/60 Hz [110] 380–440 V/60 Hz/IT-grid [111] 380–440 V/60 Hz/Delta [112] 380–440 V/60 Hz [120] 440–480 V/60 Hz/IT-grid [121] 440–480 V/60 Hz/Delta [122] 440–480 V/60 Hz [130] 525–600 V/60 Hz/IT-grid [131] 525–600 V/60 Hz/Delta [132] 525–600 V/60 Hz	Size related	Select the operating mode for restart after reconnection of the drive to mains voltage after power down.

Parameter	Option	Default	Usage
Parameter 1-10 Motor Construction	*[0] Asynchron [1] PM, non-salient SPM [3] PM, salient IPM	[0] Asynchron	Setting the parameter value might change these parameters: <ul style="list-style-type: none"> • Parameter 1-01 Motor Control Principle. • Parameter 1-03 Torque Characteristics. • Parameter 1-08 Motor Control Bandwidth. • Parameter 1-14 Damping Gain. • Parameter 1-15 Low Speed Filter Time Const. • Parameter 1-16 High Speed Filter Time Const. • Parameter 1-17 Voltage Filter Time Const. • Parameter 1-20 Motor Power. • Parameter 1-22 Motor Voltage. • Parameter 1-23 Motor Frequency. • Parameter 1-24 Motor Current. • Parameter 1-25 Motor Nominal Speed. • Parameter 1-26 Motor Cont. Rated Torque. • Parameter 1-30 Stator Resistance (Rs). • Parameter 1-33 Stator Leakage Reactance (X1). • Parameter 1-35 Main Reactance (Xh). • Parameter 1-37 d-axis Inductance (Ld). • Parameter 1-38 q-axis Inductance (Lq). • Parameter 1-39 Motor Poles. • Parameter 1-40 Back EMF at 1000 RPM. • Parameter 1-44 d-axis Inductance Sat. (LdSat). • Parameter 1-45 q-axis Inductance Sat. (LqSat). • Parameter 1-46 Position Detection Gain. • Parameter 1-48 Current at Min Inductance for d-axis. • Parameter 1-49 Current at Min Inductance for q-axis. • Parameter 1-66 Min. Current at Low Speed. • Parameter 1-70 PM Start Mode. • Parameter 1-72 Start Function. • Parameter 1-73 Flying Start. • Parameter 1-80 Function at Stop. • Parameter 1-82 Min Speed for Function at Stop [Hz]. • Parameter 1-90 Motor Thermal Protection. • Parameter 2-00 DC Hold/Motor Preheat Current. • Parameter 2-01 DC Brake Current. • Parameter 2-02 DC Braking Time. • Parameter 2-04 DC Brake Cut In Speed. • Parameter 2-10 Brake Function. • Parameter 4-14 Motor Speed High Limit [Hz]. • Parameter 4-19 Max Output Frequency. • Parameter 4-58 Missing Motor Phase Function. • Parameter 14-65 Speed Derate Dead Time Compensation.

Parameter	Option	Default	Usage
Parameter 1-20 Motor Power	0.12–110 kW/0.16–150 hp	Size related	Enter the motor power from the nameplate data.
Parameter 1-22 Motor Voltage	50–1000 V	Size related	Enter the motor voltage from the nameplate data.
Parameter 1-23 Motor Frequency	20–400 Hz	Size related	Enter the motor frequency from the nameplate data.
Parameter 1-24 Motor Current	0.01–10000.00 A	Size related	Enter the motor current from the nameplate data.
Parameter 1-25 Motor Nominal Speed	50–9999 RPM	Size related	Enter the motor nominal speed from the nameplate data.
Parameter 1-26 Motor Cont. Rated Torque	0.1–1000.0 Nm	Size related	This parameter is available when <i>parameter 1-10 Motor Construction</i> is set to options that enable permanent motor mode. <div style="border: 1px solid black; padding: 5px; text-align: center;"> <p>NOTICE</p> <p>Changing this parameter affects the settings of other parameters.</p> </div>
Parameter 1-29 Automatic Motor Adaption (AMA)	See <i>parameter 1-29 Automatic Motor Adaption (AMA)</i> .	Off	Performing an AMA optimizes motor performance.
Parameter 1-30 Stator Resistance (Rs)	0.000–99.990 Ω	Size related	Set the stator resistance value.
Parameter 1-37 d-axis Inductance (Ld)	0.000–1000.000 mH	Size related	Enter the value of the d-axis inductance. Obtain the value from the permanent magnet motor datasheet.
Parameter 1-38 q-axis Inductance (Lq)	0.000–1000.000 mH	Size related	Enter the value of the q-axis inductance.
Parameter 1-39 Motor Poles	2–100	4	Enter the number of motor poles.
Parameter 1-40 Back EMF at 1000 RPM	10–9000 V	Size related	Line-line RMS back EMF voltage at 1000 RPM.
Parameter 1-42 Motor Cable Length	0–100 m	50 m	Enter the motor cable length.
Parameter 1-44 d-axis Inductance Sat. (LdSat)	0.000–1000.000 mH	Size related	This parameter corresponds to the inductance saturation of Ld. Ideally, this parameter has the same value as <i>parameter 1-37 d-axis Inductance (Ld)</i> . However, if the motor supplier provides an induction curve, enter the induction value, which is 200% of the nominal current.

Parameter	Option	Default	Usage
Parameter 1-45 <i>q-axis Inductance Sat. (LqSat)</i>	0.000–1000.000 mH	Size related	This parameter corresponds to the inductance saturation of Lq. Ideally, this parameter has the same value as <i>parameter 1-38 q-axis Inductance (Lq)</i> . However, if the motor supplier provides an induction curve, enter the induction value, which is 200% of the nominal current.
Parameter 1-46 <i>Position Detection Gain</i>	20–200%	100%	Adjusts the height of the test pulse during position detection at start.
Parameter 1-48 <i>Current at Min Inductance for d-axis</i>	20–200%	100%	Enter the inductance saturation point.
Parameter 1-49 <i>Current at Min Inductance for q-axis</i>	20–200%	100%	This parameter specifies the saturation curve of the d- and q-inductance values. From 20–100% of this parameter, the inductances are linearly approximated due to <i>parameter 1-37 d-axis Inductance (Ld)</i> , <i>parameter 1-38 q-axis Inductance (Lq)</i> , <i>parameter 1-44 d-axis Inductance Sat. (LdSat)</i> , and <i>parameter 1-45 q-axis Inductance Sat. (LqSat)</i> .
Parameter 1-70 <i>PM Start Mode</i>	[0] Rotor Detection [1] Parking	[0] Rotor Detection	Select the PM motor start mode.
Parameter 1-73 <i>Flying Start</i>	[0] Disabled [1] Enabled	[0] Disabled	Select [1] Enabled to enable the drive to catch a motor spinning due to mains drop-out. Select [0] Disabled if this function is not required. When this parameter is set to [1] Enabled, <i>parameter 1-71 Start Delay</i> and <i>parameter 1-72 Start Function</i> are not functional. <i>Parameter 1-73 Flying Start</i> is active in VVC ⁺ mode only.
Parameter 3-02 <i>Minimum Reference</i>	-4999.000–4999.000	0	The minimum reference is the lowest value obtainable by summing all references.
Parameter 3-03 <i>Maximum Reference</i>	-4999.000–4999.000	50	The maximum reference is the lowest obtainable by summing all references.
Parameter 3-41 <i>Ramp 1 Ramp Up Time</i>	0.05–3600.00 s	Size related	If asynchronous motor is selected, the ramp-up time is from 0 to rated <i>parameter 1-23 Motor Frequency</i> . If PM motor is selected, the ramp-up time is from 0 to <i>parameter 1-25 Motor Nominal Speed</i> .
Parameter 3-42 <i>Ramp 1 Ramp Down Time</i>	0.05–3600.00 s	Size related	For asynchronous motors, the ramp-down time is from rated <i>parameter 1-23 Motor Frequency</i> to 0. For PM motors, the ramp-down time is from <i>parameter 1-25 Motor Nominal Speed</i> to 0.
Parameter 4-12 <i>Motor Speed Low Limit [Hz]</i>	0.0–400.0 Hz	0 Hz	Enter the minimum limit for low speed.
Parameter 4-14 <i>Motor Speed High Limit [Hz]</i>	0.0–400.0 Hz	100 Hz	Enter the maximum limit for high speed.

Parameter	Option	Default	Usage
<i>Parameter 4-19 Max Output Frequency</i>	<i>0.0–400.0 Hz</i>	<i>100 Hz</i>	Enter the maximum output frequency value. If <i>parameter 4-19 Max Output Frequency</i> is set lower than <i>parameter 4-14 Motor Speed High Limit [Hz]</i> , <i>parameter 4-14 Motor Speed High Limit [Hz]</i> is set equal to <i>parameter 4-19 Max Output Frequency</i> automatically.
<i>Parameter 5-40 Function Relay</i>	<i>See parameter 5-40 Function Relay.</i>	<i>[9] Alarm</i>	Select the function to control output relay 1.
<i>Parameter 5-40 Function Relay</i>	<i>See parameter 5-40 Function Relay.</i>	<i>[5] Drive running</i>	Select the function to control output relay 2.
<i>Parameter 6-10 Terminal 53 Low Voltage</i>	<i>0.00–10.00 V</i>	<i>0.07 V</i>	Enter the voltage that corresponds to the low reference value.
<i>Parameter 6-11 Terminal 53 High Voltage</i>	<i>0.00–10.00 V</i>	<i>10 V</i>	Enter the voltage that corresponds to the high reference value.
<i>Parameter 6-12 Terminal 53 Low Current</i>	<i>0.00–20.00 mA</i>	<i>4 mA</i>	Enter the current that corresponds to the low reference value.
<i>Parameter 6-13 Terminal 53 High Current</i>	<i>0.00–20.00 mA</i>	<i>20 mA</i>	Enter the current that corresponds to the high reference value.
<i>Parameter 6-19 Terminal 53 mode</i>	<i>[0] Current [1] Voltage</i>	<i>[1] Voltage</i>	Select if terminal 53 is used for current or voltage input.
<i>Parameter 30-22 Locked Rotor Detection</i>	<i>[0] Off [1] On</i>	<i>[0] Off</i>	–
<i>Parameter 30-23 Locked Rotor Detection Time [s]</i>	<i>0.05–1 s</i>	<i>0.10 s</i>	–

4.2.3 Setup Wizard for Closed-loop Applications

e30bc402.14

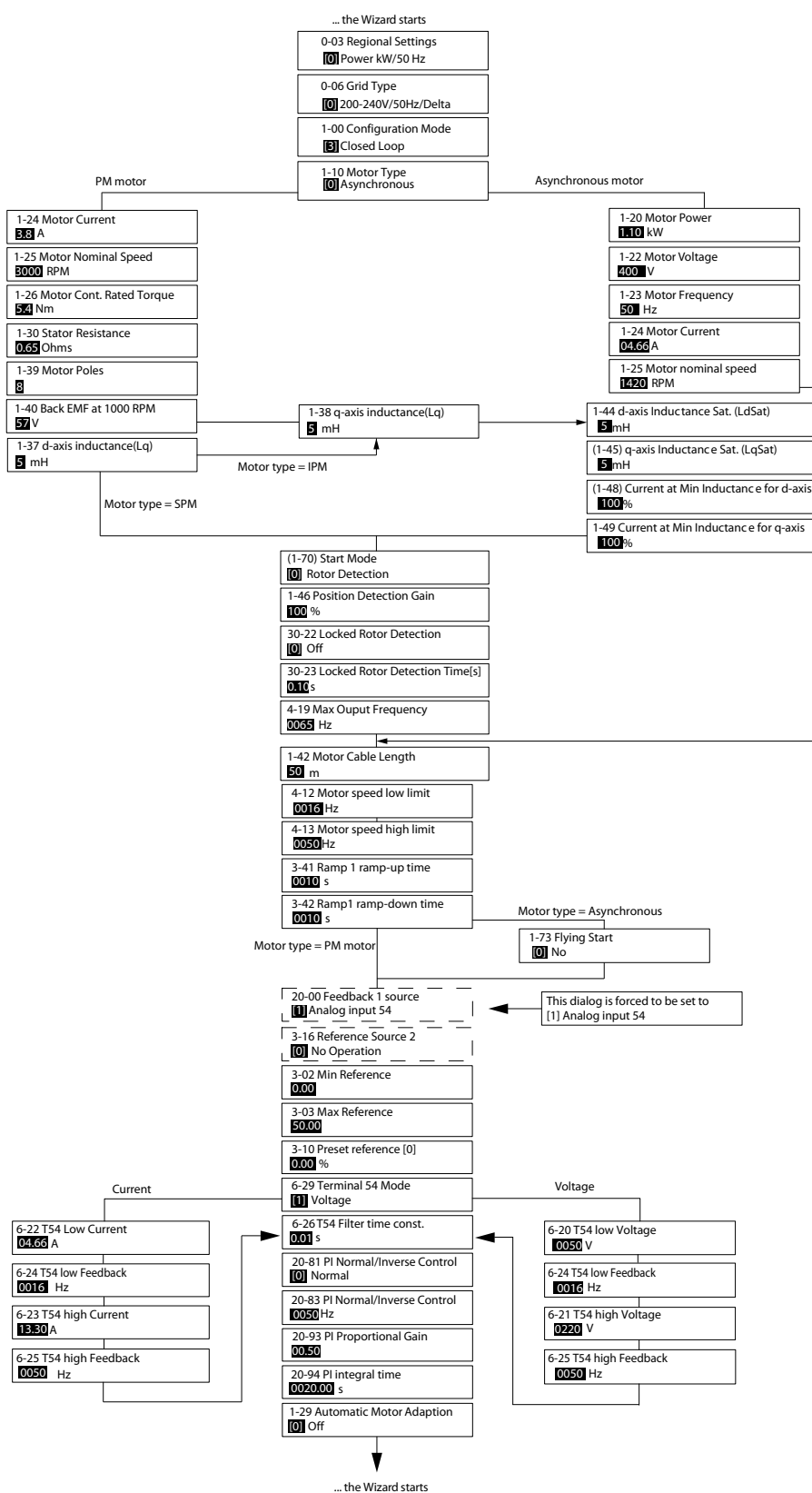


Illustration 30: Setup Wizard for Closed-loop Applications

Table 17: Setup Wizard for Closed-loop Applications

Parameter	Range	Default	Usage
Parameter 0-03 Regional Settings	[0] International [1] US	[0] International	–
Parameter 0-06 GridType	[0] 200–240 V/50 Hz/IT-grid [1] 200–240 V/50 Hz/Delta [2] 200–240 V/50 Hz [10] 380–440 V/50 Hz/IT-grid [11] 380–440 V/50 Hz/Delta [12] 380–440 V/50 Hz [20] 440–480 V/50 Hz/IT-grid [21] 440–480 V/50 Hz/Delta [22] 440–480 V/50 Hz [30] 525–600 V/50 Hz/IT-grid [31] 525–600 V/50 Hz/Delta [32] 525–600 V/50 Hz [100] 200–240 V/60 Hz/IT-grid [101] 200–240 V/60 Hz/Delta [102] 200–240 V/60 Hz [110] 380–440 V/60 Hz/IT-grid [111] 380–440 V/60 Hz/Delta [112] 380–440 V/60 Hz [120] 440–480 V/60 Hz/IT-grid [121] 440–480 V/60 Hz/Delta [122] 440–480 V/60 Hz [130] 525–600 V/60 Hz/IT-grid [131] 525–600 V/60 Hz/Delta [132] 525–600 V/60 Hz	Size selected	Select the operating mode for restart after reconnection of the drive to mains voltage after power down.

Parameter	Range	Default	Usage
<i>Parameter 1-00 Configuration Mode</i>	<i>[0] Open loop [3] Closed loop</i>	<i>[0] Open loop</i>	<i>Select [3] Closed loop.</i>

Parameter	Range	Default	Usage
Parameter 1-10 Motor Construction	*[0] Asynchron [1] PM, non-salient SPM [3] PM, salient IPM	[0] Asynchron	Setting the parameter value might change these parameters: <ul style="list-style-type: none"> • Parameter 1-01 Motor Control Principle. • Parameter 1-03 Torque Characteristics. • Parameter 1-08 Motor Control Bandwidth. • Parameter 1-14 Damping Gain. • Parameter 1-15 Low Speed Filter Time Const. • Parameter 1-16 High Speed Filter Time Const. • Parameter 1-17 Voltage Filter Time Const. • Parameter 1-20 Motor Power. • Parameter 1-22 Motor Voltage. • Parameter 1-23 Motor Frequency. • Parameter 1-24 Motor Current. • Parameter 1-25 Motor Nominal Speed. • Parameter 1-26 Motor Cont. Rated Torque. • Parameter 1-30 Stator Resistance (Rs). • Parameter 1-33 Stator Leakage Reactance (X1). • Parameter 1-35 Main Reactance (Xh). • Parameter 1-37 d-axis Inductance (Ld). • Parameter 1-38 q-axis Inductance (Lq). • Parameter 1-39 Motor Poles. • Parameter 1-40 Back EMF at 1000 RPM. • Parameter 1-44 d-axis Inductance Sat. (LdSat). • Parameter 1-45 q-axis Inductance Sat. (LqSat). • Parameter 1-46 Position Detection Gain. • Parameter 1-48 Current at Min Inductance for d-axis. • Parameter 1-49 Current at Min Inductance for q-axis. • Parameter 1-66 Min. Current at Low Speed. • Parameter 1-70 PM Start Mode. • Parameter 1-72 Start Function. • Parameter 1-73 Flying Start. • Parameter 1-80 Function at Stop. • Parameter 1-82 Min Speed for Function at Stop [Hz]. • Parameter 1-90 Motor Thermal Protection. • Parameter 2-00 DC Hold/Motor Preheat Current. • Parameter 2-01 DC Brake Current. • Parameter 2-02 DC Braking Time. • Parameter 2-04 DC Brake Cut In Speed. • Parameter 2-10 Brake Function. • Parameter 4-14 Motor Speed High Limit [Hz]. • Parameter 4-19 Max Output Frequency. • Parameter 4-58 Missing Motor Phase Function. • Parameter 14-65 Speed Derate Dead Time Compensation.

Parameter	Range	Default	Usage
Parameter 1-20 Motor Power	0.09–110 kW	Size related	Enter the motor power from the nameplate data.
Parameter 1-22 Motor Voltage	50–1000 V	Size related	Enter the motor voltage from the nameplate data.
Parameter 1-23 Motor Frequency	20–400 Hz	Size related	Enter the motor frequency from the nameplate data.
Parameter 1-24 Motor Current	0–10000 A	Size related	Enter the motor current from the nameplate data.
Parameter 1-25 Motor Nominal Speed	50–9999 RPM	Size related	Enter the motor nominal speed from the nameplate data.
Parameter 1-26 Motor Cont. Rated Torque	0.1–1000.0 Nm	Size related	This parameter is available when <i>parameter 1-10 Motor Construction</i> is set to options that enable permanent motor mode. <div style="border: 1px solid black; padding: 5px; text-align: center;"> <p>NOTICE</p> <p>Changing this parameter affects the settings of other parameters.</p> </div>
Parameter 1-29 Automatic Motor Adaption (AMA)	–	Off	Performing an AMA optimizes motor performance.
Parameter 1-30 Stator Resistance (Rs)	0–99.990 Ω	Size related	Set the stator resistance value.
Parameter 1-37 d-axis Inductance (Ld)	0.000–1000.000 mH	Size related	Enter the value of the d-axis inductance. Obtain the value from the permanent magnet motor datasheet.
Parameter 1-38 q-axis Inductance (Lq)	0.000–1000.000 mH	Size related	Enter the value of the q-axis inductance.
Parameter 1-39 Motor Poles	2–100	4	Enter the number of motor poles.
Parameter 1-40 Back EMF at 1000 RPM	10–9000 V	Size related	Line-line RMS back EMF voltage at 1000 RPM.
Parameter 1-42 Motor Cable Length	0–100 m	50 m	Enter the motor cable length.
Parameter 1-44 d-axis Inductance Sat. (LdSat)	0.000–1000.000 mH	Size related	This parameter corresponds to the inductance saturation of Ld. Ideally, this parameter has the same value as <i>parameter 1-37 d-axis Inductance (Ld)</i> . However, if the motor supplier provides an induction curve, enter the induction value, which is 200% of the nominal current.

Parameter	Range	Default	Usage
Parameter 1-45 <i>q-axis Inductance Sat. (LqSat)</i>	0.000–1000.000 mH	Size related	This parameter corresponds to the inductance saturation of Lq. Ideally, this parameter has the same value as <i>parameter 1-38 q-axis Inductance (Lq)</i> . However, if the motor supplier provides an induction curve, enter the induction value, which is 200% of the nominal current.
Parameter 1-46 <i>Position Detection Gain</i>	20–200%	100%	Adjusts the height of the test pulse during position detection at start.
Parameter 1-48 <i>Current at Min Inductance for d-axis</i>	20–200%	100%	Enter the inductance saturation point.
Parameter 1-49 <i>Current at Min Inductance for q-axis</i>	20–200%	100%	This parameter specifies the saturation curve of the d- and q-inductance values. From 20–100% of this parameter, the inductances are linearly approximated due to <i>parameter 1-37 d-axis Inductance (Ld)</i> , <i>parameter 1-38 q-axis Inductance (Lq)</i> , <i>parameter 1-44 d-axis Inductance Sat. (LdSat)</i> , and <i>parameter 1-45 q-axis Inductance Sat. (LqSat)</i> .
Parameter 1-70 <i>PM Start Mode</i>	[0] Rotor Detection [1] Parking	[0] Rotor Detection	Select the PM motor start mode.
Parameter 1-73 <i>Flying Start</i>	[0] Disabled [1] Enabled	[0] Disabled	Select [1] Enabled to enable the drive to catch a spinning motor in, for example, fan applications. When PM is selected, this parameter is enabled.
Parameter 3-02 <i>Minimum Reference</i>	-4999.000–4999.000	0	The minimum reference is the lowest value obtainable by summing all references.
Parameter 3-03 <i>Maximum Reference</i>	-4999.000–4999.000	50	The maximum reference is the highest value obtainable by summing all references.
Parameter 3-10 <i>Preset Reference</i>	-100–100%	0	Enter the setpoint.
Parameter 3-41 <i>Ramp 1 Ramp Up Time</i>	0.05–3600.0 s	Size related	Ramp-up time from 0 to rated <i>parameter 1-23 Motor Frequency</i> for asynchronous motors. Ramp-up time from 0 to <i>parameter 1-25 Motor Nominal Speed</i> for PM motors.
Parameter 3-42 <i>Ramp 1 Ramp Down Time</i>	0.05–3600.0 s	Size related	Ramp-down time from rated <i>parameter 1-23 Motor Frequency</i> to 0 for asynchronous motors. Ramp-down time from <i>parameter 1-25 Motor Nominal Speed</i> to 0 for PM motors.
Parameter 4-12 <i>Motor Speed Low Limit [Hz]</i>	0.0–400.0 Hz	0.0 Hz	Enter the minimum limit for low speed.
Parameter 4-14 <i>Motor Speed High Limit [Hz]</i>	0.0–400.0 Hz	100 Hz	Enter the minimum limit for high speed.

Parameter	Range	Default	Usage
Parameter 4-19 Max Output Frequency	0.0–400.0 Hz	100 Hz	Enter the maximum output frequency value. If <i>parameter 4-19 Max Output Frequency</i> is set lower than <i>parameter 4-14 Motor Speed High Limit [Hz]</i> , <i>parameter 4-14 Motor Speed High Limit [Hz]</i> is set equal to <i>parameter 4-19 Max Output Frequency</i> automatically.
Parameter 6-20 Terminal 54 Low Voltage	0.00–10.00 V	0.07 V	Enter the voltage that corresponds to the low reference value.
Parameter 6-21 Terminal 54 High Voltage	0.00–10.00 V	10.00 V	Enter the voltage that corresponds to the high reference value.
Parameter 6-22 Terminal 54 Low Current	0.00–20.00 mA	4.00 mA	Enter the current that corresponds to the low reference value.
Parameter 6-23 Terminal 54 High Current	0.00–20.00 mA	20.00 mA	Enter the current that corresponds to the high reference value.
Parameter 6-24 Terminal 54 Low Ref./Feedb. Value	-4999–4999	0	Enter the feedback value that corresponds to the voltage or current set in <i>parameter 6-20 Terminal 54 Low Voltage/parameter 6-22 Terminal 54 Low Current</i> .
Parameter 6-25 Terminal 54 High Ref./ Feedb. Value	-4999–4999	50	Enter the feedback value that corresponds to the voltage or current set in <i>parameter 6-21 Terminal 54 High Voltage/parameter 6-23 Terminal 54 High Current</i> .
Parameter 6-26 Terminal 54 Fil- ter Time Con- stant	0.00–10.00 s	0.01	Enter the filter time constant.
Parameter 6-29 Terminal 54 mode	[0] Current [1] Voltage	[1] Voltage	Select if terminal 54 is used for current or voltage input.
Parameter 20-81 PI Nor- mal/Inverse Control	[0] Normal [1] Inverse	[0] Normal	Select [0] Normal to set the process control to increase the output speed when the process error is positive. Select [1] Inverse to reduce the output speed.
Parameter 20-83 PI Start Speed [Hz]	0–200 Hz	0 Hz	Enter the motor speed to be attained as a start signal for commencement of PI control.
Parameter 20-93 PI Propor- tional Gain	0.00–10.00	0.01	Enter the process controller proportional gain. Quick control is obtained at high amplification. However, if amplification is too high, the process may become unstable.
Parameter 20-94 PI Inte- gral Time	0.1–999.0 s	999.0 s	Enter the process controller integral time. Obtain quick control through a short integral time, though if the integral time is too short, the process becomes unstable. An excessively long integral time disables the integral action.

Parameter	Range	Default	Usage
<i>Parameter 30-22 Locked Rotor Detection</i>	<i>[0] Off</i> <i>[1] On</i>	<i>[0] Off</i>	–
<i>Parameter 30-23 Locked Rotor Detection Time [s]</i>	<i>0.05–1.00 s</i>	<i>0.10 s</i>	–

4.2.4 Motor Setup

The motor setup wizard guides users through the needed motor parameters.

Table 18: Motor Setup Wizard Settings

Parameter	Range	Default	Usage
<i>Parameter 0-03 Regional Settings</i>	<i>[0] International</i> <i>[1] US</i>	<i>[0] International</i>	–

Parameter	Range	Default	Usage
<i>Parameter 0-06 GridType</i>	<i>[0] 200–240 V/50 Hz/IT-grid [1] 200–240 V/50 Hz/Delta [2] 200–240 V/50 Hz [10] 380–440 V/50 Hz/IT-grid [11] 380–440 V/50 Hz/Delta [12] 380–440 V/50 Hz [20] 440–480 V/50 Hz/IT-grid [21] 440–480 V/50 Hz/Delta [22] 440–480 V/50 Hz [30] 525–600 V/50 Hz/IT-grid [31] 525–600 V/50 Hz/Delta [32] 525–600 V/50 Hz [100] 200–240 V/60 Hz/IT-grid [101] 200–240 V/60 Hz/Delta [102] 200–240 V/60 Hz [110] 380–440 V/60 Hz/IT-grid [111] 380–440 V/60 Hz/Delta [112] 380–440 V/60 Hz [120] 440–480 V/60 Hz/IT-grid [121] 440–480 V/60 Hz/Delta [122] 440–480 V/60 Hz [130] 525–600 V/60 Hz/IT-grid [131] 525–600 V/60 Hz/Delta [132] 525–600 V/60 Hz</i>	Size selected	Select the operating mode for restart after reconnection of the drive to mains voltage after power down.

Parameter	Range	Default	Usage
Parameter 1-10 Motor Construction	*[0] Asynchron [1] PM, non-salient SPM [3] PM, salient IPM	[0] Asynchron	Setting the parameter value might change these parameters: <ul style="list-style-type: none"> • Parameter 1-01 Motor Control Principle. • Parameter 1-03 Torque Characteristics. • Parameter 1-08 Motor Control Bandwidth. • Parameter 1-14 Damping Gain. • Parameter 1-15 Low Speed Filter Time Const. • Parameter 1-16 High Speed Filter Time Const. • Parameter 1-17 Voltage Filter Time Const. • Parameter 1-20 Motor Power. • Parameter 1-22 Motor Voltage. • Parameter 1-23 Motor Frequency. • Parameter 1-24 Motor Current. • Parameter 1-25 Motor Nominal Speed. • Parameter 1-26 Motor Cont. Rated Torque. • Parameter 1-30 Stator Resistance (Rs). • Parameter 1-33 Stator Leakage Reactance (X1). • Parameter 1-35 Main Reactance (Xh). • Parameter 1-37 d-axis Inductance (Ld). • Parameter 1-38 q-axis Inductance (Lq). • Parameter 1-39 Motor Poles. • Parameter 1-40 Back EMF at 1000 RPM. • Parameter 1-44 d-axis Inductance Sat. (LdSat). • Parameter 1-45 q-axis Inductance Sat. (LqSat). • Parameter 1-46 Position Detection Gain. • Parameter 1-48 Current at Min Inductance for d-axis. • Parameter 1-49 Current at Min Inductance for q-axis. • Parameter 1-66 Min. Current at Low Speed. • Parameter 1-70 PM Start Mode. • Parameter 1-72 Start Function. • Parameter 1-73 Flying Start. • Parameter 1-80 Function at Stop. • Parameter 1-82 Min Speed for Function at Stop [Hz]. • Parameter 1-90 Motor Thermal Protection. • Parameter 2-00 DC Hold/Motor Preheat Current. • Parameter 2-01 DC Brake Current. • Parameter 2-02 DC Braking Time. • Parameter 2-04 DC Brake Cut In Speed. • Parameter 2-10 Brake Function. • Parameter 4-14 Motor Speed High Limit [Hz]. • Parameter 4-19 Max Output Frequency. • Parameter 4-58 Missing Motor Phase Function. • Parameter 14-65 Speed Derate Dead Time Compensation.

Parameter	Range	Default	Usage
Parameter 1-20 Motor Power	0.12–110 kW/0.16–150 hp	Size related	Enter the motor power from the nameplate data.
Parameter 1-22 Motor Voltage	50–1000 V	Size related	Enter the motor voltage from the nameplate data.
Parameter 1-23 Motor Frequency	20–400 Hz	Size related	Enter the motor frequency from the nameplate data.
Parameter 1-24 Motor Current	0.01–10000.00 A	Size related	Enter the motor current from the nameplate data.
Parameter 1-25 Motor Nominal Speed	50–9999 RPM	Size related	Enter the motor nominal speed from the nameplate data.
Parameter 1-26 Motor Cont. Rated Torque	0.1–1000.0 Nm	Size related	<p>This parameter is available when <i>parameter 1-10 Motor Construction</i> is set to options that enable permanent motor mode.</p> <div style="border: 1px solid black; padding: 5px; margin-top: 10px;"> <p style="text-align: center; margin: 0;">NOTICE</p> <p style="margin: 0;">Changing this parameter affects the settings of other parameters.</p> </div>
Parameter 1-30 Stator Resistance (Rs)	0–99.990 Ω	Size related	Set the stator resistance value.
Parameter 1-37 d-axis Inductance (Ld)	0.000–1000.000 mH	Size related	Enter the value of the d-axis inductance. Obtain the value from the permanent magnet motor datasheet.
Parameter 1-38 q-axis Inductance (Lq)	0.000–1000.000 mH	Size related	Enter the value of the q-axis inductance.
Parameter 1-39 Motor Poles	2–100	4	Enter the number of motor poles.
Parameter 1-40 Back EMF at 1000 RPM	10–9000 V	Size related	Line-line RMS back EMF voltage at 1000 RPM.
Parameter 1-42 Motor Cable Length	0–100 m	50 m	Enter the motor cable length.
Parameter 1-44 d-axis Inductance Sat. (LdSat)	0.000–1000.000 mH	Size related	This parameter corresponds to the inductance saturation of Ld. Ideally, this parameter has the same value as <i>parameter 1-37 d-axis Inductance (Ld)</i> . However, if the motor supplier provides an induction curve, enter the induction value, which is 200% of the nominal current.

Parameter	Range	Default	Usage
Parameter 1-45 <i>q-axis Inductance Sat. (LqSat)</i>	0.000–1000.000 mH	Size related	This parameter corresponds to the inductance saturation of Lq. Ideally, this parameter has the same value as <i>parameter 1-38 q-axis Inductance (Lq)</i> . However, if the motor supplier provides an induction curve, enter the induction value, which is 200% of the nominal current.
Parameter 1-46 <i>Position Detection Gain</i>	20–200%	100%	Adjusts the height of the test pulse during position detection at start.
Parameter 1-48 <i>Current at Min Inductance for d-axis</i>	20–200%	100%	Enter the inductance saturation point.
Parameter 1-49 <i>Current at Min Inductance for q-axis</i>	20–200%	100%	This parameter specifies the saturation curve of the d- and q-inductance values. From 20–100% of this parameter, the inductances are linearly approximated due to <i>parameter 1-37 d-axis Inductance (Ld)</i> , <i>parameter 1-38 q-axis Inductance (Lq)</i> , <i>parameter 1-44 d-axis Inductance Sat. (LdSat)</i> , and <i>parameter 1-45 q-axis Inductance Sat. (LqSat)</i> .
Parameter 1-70 <i>PM Start Mode</i>	[0] Rotor Detection [1] Parking	[0] Rotor Detection	Select the PM motor start mode.
Parameter 1-73 <i>Flying Start</i>	[0] Disabled [1] Enabled	[0] Disabled	Select [1] Enabled to enable the drive to catch a spinning motor.
Parameter 3-41 <i>Ramp 1 Ramp Up Time</i>	0.05–3600.0 s	Size related	Ramp-up time from 0 to rated <i>parameter 1-23 Motor Frequency</i> .
Parameter 3-42 <i>Ramp 1 Ramp Down Time</i>	0.05–3600.0 s	Size related	Ramp-down time from rated <i>parameter 1-23 Motor Frequency</i> to 0.
Parameter 4-12 <i>Motor Speed Low Limit [Hz]</i>	0.0–400.0 Hz	0.0 Hz	Enter the minimum limit for low speed.
Parameter 4-14 <i>Motor Speed High Limit [Hz]</i>	0.0–400.0 Hz	100.0 Hz	Enter the maximum limit for high speed.
Parameter 4-19 <i>Max Output Frequency</i>	0.0–400.0 Hz	100.0 Hz	Enter the maximum output frequency value. If <i>parameter 4-19 Max Output Frequency</i> is set lower than <i>parameter 4-14 Motor Speed High Limit [Hz]</i> , <i>parameter 4-14 Motor Speed High Limit [Hz]</i> is set equal to <i>parameter 4-19 Max Output Frequency</i> automatically.
Parameter 30-22 <i>Locked Rotor Detection</i>	[0] Off [1] On	[0] Off	–
Parameter 30-23 <i>Locked Rotor Detection Time [s]</i>	0.05–1.00 s	0.10 s	–

4.2.5 Changes Made Function

The changes made function lists all parameters changed from default settings.

- The list shows only parameters that have been changed in the current edit setup.
- Parameters that have been reset to default values are not listed.
- The message *Empty* indicates that no parameters have been changed.

4.2.6 Changing Parameter Settings

Procedure

1. To enter the Quick Menu, press the [Menu] key until the indicator in the display is placed above Quick Menu.
2. Press [▲] [▼] to select the wizard, closed-loop setup, motor setup, or changes made.
3. Press [OK].
4. Press [▲] [▼] to browse through the parameters in the Quick Menu.
5. Press [OK] to select a parameter.
6. Press [▲] [▼] to change the value of a parameter setting.
7. Press [OK] to accept the change.
8. Press either [Back] twice to enter Status, or press [Menu] once to enter the Main Menu.

4.2.7 Accessing All Parameters via the Main Menu

Procedure

1. Press the [Menu] key until the indicator in the display is placed above Main Menu.
2. Press [▲] [▼] to browse through the parameter groups.
3. Press [OK] to select a parameter group.
4. Press [▲] [▼] to browse through the parameters in the specific group.
5. Press [OK] to select the parameter.
6. Press [▲] [▼] to set/change the parameter value.
7. Press [OK] to accept the change.

4.3 Parameter List

0-0*	Basic Settings / Display	1-42	Motor Cable Length	3-5*	Ramp 2	6-12	Terminal 53 Low Current	8-74	"I am" Service
0-0*	Basic Settings	1-43	Motor Cable Length Feet	3-51	Ramp 2 Ramp Up Time	6-13	Terminal 53 High Current	8-75	Initialisation Password
0-01	Language	1-44	d-axis Inductance Sat. (LdSat)	3-52	Ramp 2 Ramp Down Time	6-14	Terminal 53 Low Ref./Feedb. Value	8-79	Protocol Firmware version
0-03	Regional Settings	1-45	q-axis Inductance Sat. (LqSat)	3-8*	Other Ramps	6-15	Terminal 53 High Ref./Feedb. Value	8-8*	FC Port Diagnostics
0-04	Operating State at Power-up	1-46	Position Detection Gain	3-80	Jog Ramp Time	6-16	Terminal 53 Filter Time Constant	8-80	Bus Message Count
0-06	GridType	1-48	Current at Min Inductance for d-axis	3-81	Quick Stop Ramp Time	6-19	Terminal 53 mode	8-81	Bus Error Count
0-07	Auto DC Braking	1-49	Current at Min Inductance for q-axis	4-3*	Limits / Warnings	6-20	Analog Input 54	8-82	Slave Messages Rcvd
0-1*	Set-up Operations	1-5*	Load Indep. Setting	4-1*	Motor Limits	6-20	Terminal 54 Low Voltage	8-83	Slave Error Count
0-10	Active Set-up	1-50	Motor Magnetisation at Zero Speed	4-10	Motor Speed Direction	6-21	Terminal 54 High Voltage	8-84	Slave Messages Sent
0-11	Programming Set-up	1-52	Min Speed Normal Magnetising [Hz]	4-12	Motor Speed Low Limit [Hz]	6-22	Terminal 54 Low Current	8-85	Slave Timeout Errors
0-12	Link Setups	1-55	U/f Characteristic - U	4-14	Motor Speed High Limit [Hz]	6-23	Terminal 54 High Current	8-88	Reset FC port Diagnostics
0-3*	LCP Custom Readout	1-56	U/f Characteristic - F	4-18	Current Limit	6-24	Terminal 54 Low Ref./Feedb. Value	8-9*	Bus Feedback
0-30	Custom Readout Unit	1-6*	Load Depen. Setting	4-4*	Max Output Frequency	6-25	Terminal 54 High Ref./Feedb. Value	8-94	Bus Feedback 1
0-31	Custom Readout Min Value	1-60	Low Speed Load Compensation	4-40	Adj. Warnings 2	6-26	Terminal 54 Filter Time Constant	8-95	Bus Feedback 2
0-32	Custom Readout Max Value	1-61	High Speed Load Compensation	4-40	Warning Freq. Low	6-26	Terminal 54 mode	13-3*	Smart Logic
0-37	Display Text 1	1-62	Slip Compensation	4-41	Warning Freq. High	6-7*	Analog/Digital Output 45	13-0*	SLC Settings
0-38	Display Text 2	1-63	Slip Compensation Time Constant	4-5*	Adj. Warnings	6-70	Terminal 45 Mode	13-00	SL Controller Mode
0-39	Display Text 3	1-64	Resonance Dampening	4-50	Warning Current Low	6-71	Terminal 45 Analog Output	13-01	Start Event
0-4*	LCP Keypad	1-65	Resonance Dampening Time Constant	4-51	Warning Current High	6-72	Terminal 45 Digital Output	13-02	Stop Event
0-40	[Hand on] Key on LCP	1-66	Min. Current at Low Speed	4-54	Warning Reference Low	6-73	Terminal 45 Output Min Scale	13-03	Reset SLC
0-42	[Auto on] Key on LCP	1-7*	Start Adjustments	4-55	Warning Reference High	6-74	Terminal 45 Output Max Scale	13-1*	Comparators
0-44	[Off/Reset] Key on LCP	1-70	Start Mode	4-56	Warning Feedback Low	6-76	Terminal 45 Output Bus Control	13-10	Comparator Operand
0-5*	Copy/Save	1-71	Start Delay	4-57	Warning Feedback High	6-9*	Analog/Digital Output 42	13-11	Comparator Operator
0-50	LCP Copy	1-72	Start Function	4-58	Missing Motor Phase Function	6-90	Terminal 42 Mode	13-12	Comparator Value
0-51	Set-up Copy	1-73	Flying Start	4-6*	Speed Bypass	6-91	Terminal 42 Analog Output	13-2*	Timers
0-6*	Password	1-8*	Stop Adjustments	4-61	Bypass Speed From [Hz]	6-92	Terminal 42 Digital Output	13-20	SL Controller Timer
0-60	Main Menu Password	1-80	Function at Stop	4-63	Bypass Speed To [Hz]	6-93	Terminal 42 Output Min Scale	13-4*	Logic Rules
0-61	Access to Main Menu w/o Password	1-82	Min Speed for Function at Stop [Hz]	4-64	Semi-Auto Bypass Set-up	6-94	Terminal 42 Output Max Scale	13-40	Logic Rule Boolean 1
1-0*	Load and Motor	1-88	AC Brake Gain	5-3*	Digital In/Out	6-96	Terminal 42 Output Bus Control	13-41	Logic Rule Operator 1
1-0*	General Settings	1-9*	Motor Temperature	5-0*	Digital I/O mode	6-98	Drive Type	13-42	Logic Rule Boolean 2
1-00	Configuration Mode	1-90	Motor Thermal Protection	5-00	Digital Input Mode	8-0*	General Settings	13-43	Logic Rule Operator 2
1-01	Motor Control Principle	1-93	Thermistor Source	5-03	Digital Input 29 Mode	8-0*	General Settings	13-44	Logic Rule Boolean 3
1-03	Torque Characteristics	2-0*	Brakes	5-1*	Digital Inputs	8-01	Control Site	13-5*	States
1-06	Clockwise Direction	2-0*	DC Brake	5-10	Terminal 18 Digital Input	8-02	Control Source	13-51	SL Controller Event
1-08	Motor Control Bandwidth	2-00	DC Hold/Motor Preheat Current	5-11	Terminal 19 Digital Input	8-03	Control Timeout Time	13-52	SL Controller Action
1-1*	Motor Selection	2-01	DC Brake Current	5-12	Terminal 27 Digital Input	8-04	Control Timeout Function	14-0*	Special Functions
1-10	Motor Construction	2-02	DC Braking Time	5-13	Terminal 29 Digital Input	8-3*	FC Port Settings	14-0*	Inverter Switching
1-14	Damping Gain	2-04	DC Brake Cut In Speed	5-3*	Digital Outputs	8-30	Protocol	14-01	Switching Frequency
1-15	Low Speed Filter Time Const.	2-06	Parking Current	5-34	On Delay, Digital Output	8-31	Address	14-03	Overmodulation
1-16	High Speed Filter Time Const.	2-07	Parking Time	5-35	Off Delay, Digital Output	8-32	Baud Rate	14-07	Dead Time Compensation Level
1-17	Voltage filter time const.	2-1*	Brake Energy Funct.	5-4*	Relays	8-33	Parity / Stop Bits	14-08	Damping Gain Factor
1-2*	Motor Data	2-10	Brake Function	5-40	Function Relay	8-35	Minimum Response Delay	14-09	Dead Time Bias Current Level
1-20	Motor Power	2-16	AC Brake, Max current	5-41	On Delay, Relay	8-36	Maximum Response Delay	14-1*	Mains Failure
1-22	Motor Voltage	2-17	Over-voltage Control	5-42	Off Delay, Relay	8-37	Maximum Inter-char delay	14-10	Mains Failure
1-23	Motor Frequency	2-19	Over-voltage Gain	5-5*	Pulse Input	8-4*	FC MC protocol set	14-11	Mains Fault Voltage Level
1-24	Motor Current	3-0*	Reference / Ramps	5-50	Term. 29 Low Frequency	8-42	PCD Write Configuration	14-12	Response to Mains Imbalance
1-25	Motor Nominal Speed	3-0*	Reference Limits	5-51	Term. 29 High Frequency	8-43	PCD Read Configuration	14-15	Kin. Back-up Trip Recovery Level
1-26	Motor Cont. Rated Torque	3-02	Minimum Reference	5-52	Term. 29 Low Ref./Feedb. Value	8-5*	Digital/Bus	14-2*	Reset Functions
1-29	Automatic Motor Adaption (AMA)	3-03	Maximum Reference	5-53	Term. 29 High Ref./Feedb. Value	8-50	Coasting Select	14-20	Reset Mode
1-3*	Adv. Motor Data	3-1*	References	5-9*	Bus Controlled	8-51	Quick Stop Select	14-21	Automatic Restart Time
1-30	Stator Resistance (Rs)	3-10	Preset Reference	5-90	Digital & Relay Bus Control	8-52	DC Brake Select	14-22	Operation Mode
1-31	Rotor Resistance (Rr)	3-11	Jog Speed [Hz]	6-0*	Analog I/O Mode	8-53	Start Select	14-23	Typecode Setting
1-33	Stator Leakage Reactance (X1)	3-14	Preset Relative Reference	6-00	Analog I/O Mode	8-54	Reversing Select	14-27	Action At Inverter Fault
1-35	Main Reactance (Xh)	3-15	Reference 1 Source	6-01	Live Zero Timeout Time	8-55	Set-up Select	14-28	Production Settings
1-37	d-axis Inductance (Ld)	3-16	Reference 2 Source	6-02	Fire Mode Live Zero Timeout Function	8-56	Preset Reference Select	14-29	Service Code
1-38	q-axis Inductance (Lq)	3-17	Reference 3 Source	6-1*	Analog Input 53	8-70	BACnet	14-3*	Current Limit Ctrl.
1-39	Motor Poles	3-4*	Ramp 1	6-10	Terminal 53 Low Voltage	8-72	M5/TP Max Masters	14-30	Current Lim Ctrl, Proportional Gain
1-4*	Adv. Motor Data II	3-41	Ramp 1 Ramp Up Time	6-11	Terminal 53 High Voltage	8-73	M5/TP Max Info Frames	14-31	Current Lim Ctrl, Integration Time
1-40	Back EMF at 1000 RPM	3-42	Ramp 1 Ramp Down Time					14-32	Current Lim Ctrl, Filter Time

e30bu689;10

14-4*	Energy Optimising	16-05	Main Actual Value [%]	20-01	Feedback 1 Conversion	24-00	FM Function
14-40	VT Level	16-09	Custom Readout	20-03	Feedback 2 Source	24-01	Fire Mode Configuration
14-41	AEO Minimum Magnetisation	16-1*	Motor Status	20-04	Feedback 2 Conversion	24-03	Fire Mode Min Reference
14-44	d-axis current optimization for IPM	16-10	Power [kW]	20-12	Reference/Feedback Unit	24-04	Fire Mode Max Reference
14-5*	Environment	16-11	Power [hp]	20-2*	Feedback/Setpoint	24-05	FM Preset Reference
14-50	RFI Filter	16-12	Motor Voltage	20-20	Feedback Function	24-06	Fire Mode Reference Source
14-51	DC-Link Voltage Compensation	16-13	Frequency	20-21	Setpoint 1	24-07	Fire Mode Feedback Source
14-52	Fan Control	16-14	Motor current	20-6*	Sensorless	24-08	Mult FM Preset Reference
14-53	Fan Monitor	16-15	Frequency [%]	20-60	Sensorless Unit	24-09	FM Alarm Handling
14-55	Output Filter	16-16	Torque [Nm]	20-69	Sensorless Information	24-1*	Drive Bypass
14-6*	Auto Derate	16-17	Speed [RPM]	20-8*	PI Basic Settings	24-10	Drive Bypass Function
14-61	Function at Inverter Overload	16-18	Motor Thermal	20-81	PI Normal/ Inverse Control	24-11	Drive Bypass Delay Time
14-63	Min Switch Frequency	16-22	Torque [%]	20-83	PI Start Speed [Hz]	30-2*	Special Features
14-64	Dead Time Compensation Zero Current	16-26	Power Filtered [kW]	20-84	On Reference Bandwidth	30-2*	Adv. Start Adjust
14-65	Speed Derate Dead Time Compensation	16-27	Power Filtered [hp]	20-9*	PI Controller	30-22	Locked Rotor Protection Time [s]
14-9*	Fault Settings	16-3*	Drive Status	20-91	PI Anti Windup	30-23	Lock Rotor Protection Time [s]
14-90	Fault Level	16-30	DC Link Voltage	20-93	PI Proportional Gain	30-5*	Unit Configuration
15-0*	Drive Information	16-34	Heatsink Temp.	20-94	PI Integral Time	30-58	LockPassword
15-00	Operating Data	16-35	Inverter Thermal	20-97	PI Feed Forward Factor		
15-01	Running Hours	16-36	Inv. Nom. Current	22-0*	Appl. Functions		
15-02	kWh Counter	16-37	Inv. Max. Current	22-0*	Miscellaneous		
15-03	Power Up's	16-38	SL Controller State	22-01	Power Filter Time		
15-04	Over Temp's	16-5*	Ref. & Feedsb.	22-02	Sleepmode CL Control Mode		
15-05	Over Volt's	16-50	External Reference	22-2*	No-Flow Detection		
15-06	Reset kWh Counter	16-52	Feedback[Unit]	22-23	No-Flow Function		
15-07	Reset Running Hours Counter	16-54	Feedback 1 [Unit]	22-24	No-Flow Delay		
15-3*	Alarm Log	16-55	Feedback 2 [Unit]	22-3*	No-Flow Power Tuning		
15-30	Alarm Log: Error Code	16-60	Inputs & Outputs	22-30	No-Flow Power		
15-31	InternalFaultReason	16-61	Digital Input	22-31	Power Correction Factor		
15-32	Alarm Log: Time	16-62	Terminal 53 Setting	22-33	Low Speed [Hz]		
15-4*	Drive Identification	16-63	Analogue input 53	22-34	Low Speed Power [kW]		
15-40	FC Type	16-64	Terminal 54 Setting	22-37	High Speed Power [Hz]		
15-41	Power Section	16-65	Analogue input 54	22-38	High Speed Power [kW]		
15-42	Voltage	16-66	Digital Output	22-4*	Sleep Mode		
15-43	Software Version	16-67	Pulse input 29 [Hz]	22-40	Minimum Run Time		
15-44	Ordered TypeCode	16-71	Relay output	22-41	Minimum Sleep Time		
15-45	Actual Typecode String	16-72	Counter A	22-43	Wake-Up Speed [Hz]		
15-46	Drive Ordering No	16-73	Counter B	22-44	Wake-Up Ref./FB Diff		
15-48	LCP Id No	16-79	Analogue output 45 [mA]	22-45	Setpoint Boost		
15-49	SW ID Control Card	16-8*	Fieldbus & FC Port	22-46	Maximum Boost Time		
15-50	SW ID Power Card	16-86	FC Port REF 1	22-47	Sleep Speed [Hz]		
15-51	Drive Serial Number	16-9*	Diagnosis Readouts	22-48	Sleep Delay Time		
15-52	OEM Information	16-90	Alarm Word	22-49	Wake-Up Delay Time		
15-53	Power Card Serial Number	16-91	Alarm Word 2	22-6*	Broken Belt Detection		
15-57	File Version	16-92	Warning Word	22-60	Broken Belt Function		
15-59	Filename	16-93	Warning Word 2	22-61	Broken Belt Torque		
15-9*	Parameter Info	16-94	Ext. Status Word	22-62	Broken Belt Delay		
15-92	Defined Parameters	16-95	Ext. Status Word 2	22-8*	Flow Compensation		
15-97	Application Type	16-97	Alarm Word 3	22-80	Flow Compensation		
15-98	Drive Identification	16-98	Warning Word 3	22-82	Work Point Calculation		
16-0*	Data Readouts	18-*	Info & Readouts	22-84	Speed at No-Flow [Hz]		
16-0*	General Status	18-1*	Fire Mode Log	22-86	Speed at Design Point [Hz]		
16-00	Control Word	18-10	FireMode Log:Event	22-87	Pressure at No-Flow Speed		
16-01	Reference [Unit]	18-5*	Ref. & Feedsb.	22-88	Pressure at Rated Speed		
16-02	Reference [%]	18-50	Sensorless Readout [unit]	22-89	Flow at Design Point		
16-03	Status Word	20-0*	Drive Closed Loop	22-90	Flow at Rated Speed		
		20-00	Feedback 1 Source	24-0*	Fire Mode		

5 Warnings and Alarms

5.1 List of Warnings and Alarms

Table 19: Warnings and Alarms

Fault number	Alarm/warning bit number	Fault text	Warning	Alarm	Trip locked	Cause of problem
2	16	Live zero error	X	X	–	Signal on terminal 53 or 54 is less than 50% of the value set in <i>parameter 6-10 Terminal 53 Low Voltage</i> , <i>parameter 6-12 Terminal 53 Low Current</i> , <i>parameter 6-20 Terminal 54 Low Voltage</i> , or <i>parameter 6-22 Terminal 54 Low Current</i> . See also <i>parameter group 6-0* Analog I/O Mode</i> .
4	14	Mains ph. loss	X	X	X	Missing phase on the supply side or too high voltage imbalance. Check the supply voltage. See <i>parameter 14-12 Function at Mains Imbalance</i> .
7	11	DC over volt	X	X	–	DC-link voltage exceeds the limit.
8	10	DC under volt	X	X	–	DC-link voltage drops below voltage warning low-limit.
9	9	Inverter overload	X	X	–	More than 100% load for a long time.
10	8	Motor ETR over	X	X	–	Motor is too hot due to more than 100% load for a long time. See <i>parameter 1-90 Motor Thermal Protection</i> .
11	7	Motor th over	X	X	–	Thermistor or thermistor connection is disconnected. See <i>parameter 1-90 Motor Thermal Protection</i> .
13	5	Over Current	X	X	X	Inverter peak current limit is exceeded.
14	2	Earth Fault	–	X	X	Discharge from output phases to ground.
16	12	Short Circuit	–	X	X	Short circuit in motor or on motor terminals.
17	4	Ctrl. word TO	X	X	–	No communication to drive. See <i>parameter group 8-0* General Settings</i> .
24	50	Fan Fault	X	X	–	The heat sink cooling fan is not working (only on 400 V, 30–90 kW units).
30	19	U phase loss	–	X	X	Motor phase U is missing. Check the phase. See <i>parameter 4-58 Missing Motor Phase Function</i> .
31	20	V phase loss	–	X	X	Motor phase V is missing. Check the phase. See <i>parameter 4-58 Missing Motor Phase Function</i> .
32	21	W phase loss	–	X	X	Motor phase W is missing. Check the phase. See <i>parameter 4-58 Missing Motor Phase Function</i> .
38	17	Internal fault	–	X	X	Contact the local Danfoss supplier.
44	28	Earth Fault	–	X	X	Discharge from output phases to ground, using the value of <i>parameter 15-31 InternalFaultReason</i> if possible.
46	33	Control Voltage Fault	–	X	X	Control voltage is low. Contact the local Danfoss supplier.

Fault number	Alarm/warning bit number	Fault text	Warning	Alarm	Trip locked	Cause of problem
47	23	24 V supply low	X	X	X	24 V DC supply may be overloaded.
50	–	AMA calibration failed	–	X	–	Contact the local Danfoss supplier.
51	15	AMA Unom, Inom	–	X	–	The setting of motor voltage, motor current, and motor power is wrong. Check the settings.
52	–	AMA low Inom	–	X	–	The motor current is too low. Check the settings.
53	–	AMA big motor	–	X	–	The motor is too big to perform AMA.
54	–	AMA small mot	–	X	–	The motor is too small to perform AMA.
55	–	AMA par. range	–	X	–	The parameter values found from the motor are outside the acceptable range.
56	–	AMA user interrupt	–	X	–	The AMA has been interrupted by the user.
57	–	AMA timeout	–	X	–	<p>Try to start the AMA again a number of times, until the AMA is carried out.</p> <div style="border: 1px solid black; padding: 5px; margin-top: 10px;"> <p style="text-align: center; margin: 0;">NOTICE</p> <p style="margin: 0;">Repeated runs may heat the motor to a level where the resistance R_s and R_r are increased. In most cases, however, this is not critical.</p> </div>
58	–	AMA internal	X	X	–	Contact the local Danfoss supplier.
59	25	Current limit	X	–	–	The current is higher than the value in <i>parameter 4-18 Current Limit</i> .
60	44	External Interlock	–	X	–	External interlock has been activated. To resume normal operation, apply 24 V DC to the terminal programmed for external interlock and reset the drive (via serial communication, digital I/O, or by pressing [Reset] key on the LCP).
66	26	Heat sink Temperature Low	X	–	–	This warning is based on the temperature sensor in the IGBT module (on 400 V, 30–90 kW (40–125 hp) and 600 V units).
69	1	Pwr. Card Temp	X	X	X	The temperature sensor on the power card exceeds the upper or lower limits.
70	36	Illegal FC configuration	–	X	X	The control card and power card are not matched.
79	–	Illegal power section configuration	X	X	–	Internal fault. Contact the local Danfoss supplier.

Fault number	Alarm/warning bit number	Fault text	Warning	Alarm	Trip locked	Cause of problem
80	29	Drive initialised	–	X	–	All parameter settings are initialized to default settings.
87	47	Auto DC Braking	X	–	–	The drive is auto DC braking.
95	40	Broken Belt	X	X	–	Torque is below the torque level set for no load, indicating a broken belt. See <i>parameter group 22-6* Broken Belt Detection</i> .
126	–	Motor Rotating	–	X	–	High back EMF voltage. Stop the rotor of the PM motor.
200	–	Fire Mode	X	–	–	Fire mode has been activated.
202	–	Fire Mode Limits Exceeded	X	–	–	Fire mode has suppressed 1 or more warranty voiding alarms.
250	–	New spare-part	–	X	X	The power or switch mode power supply has been exchanged (on 400 V, 30–90 kW (40–125 hp) and 600 V units). Contact the local Danfoss supplier.
251	–	New Type-code	–	X	X	The drive has a new type code (on 400 V, 30– 90 kW (40–125 hp) and 600 V units). Contact the local Danfoss supplier.

6 Specifications

6.1 Mains Supply

6.1.1 3x200–240 V AC

Table 20: 3x200–240 V AC, 0.25–7.5 kW (0.33–10 hp)

Drive	PK25	PK37	PK75	P1K5	P2K2	P3K7	P5K5	P7K5
Typical shaft output [kW]	0.25	0.37	0.75	1.5	2.2	3.7	5.5	7.5
Typical shaft output [hp]	0.33	0.5	1.0	2.0	3.0	5.0	7.5	10.0
Protection rating IP20	H1	H1	H1	H1	H2	H3	H4	H4
Maximum cable size in terminals (mains, motor) [m ² (AWG)]	4 (10)	4 (10)	4 (10)	4 (10)	4 (10)	4 (10)	16 (6)	16 (6)
Output current - 40°C (104°F) ambient temperature								
Continuous (3x200–240 V) [A]	1.5	2.2	4.2	6.8	9.6	15.2	22.0	28.0
Intermittent (3x200–240 V) [A]	1.7	2.4	4.6	7.5	10.6	16.7	24.2	30.8
Maximum input current								
Continuous 3x200–240 V [A]	1.1	1.6	2.8	5.6	8.6/7.2	14.1/12.0	21.0/18.0	28.3/24.0
Intermittent (3x200–240 V) [A]	1.2	1.8	3.1	6.2	9.5/7.9	15.5/13.2	23.1/19.8	31.1/26.4
Maximum mains fuses	See 3.2.4.5 Recommendation of Fuses and Circuit Breakers .							
Estimated power loss [W], Best case/typical ⁽¹⁾	12/14	15/18	21/26	48/60	80/102	97/120	182/204	229/268
Weight enclosure protection rating IP20 [kg (lb)]	2.0 (4.4)	2.0 (4.4)	2.0 (4.4)	2.1 (4.6)	3.4 (7.5)	4.5 (9.9)	7.9 (17.4)	7.9 (17.4)
Efficiency [%], best case/typical ⁽²⁾	97.0/96.5	97.3/96.8	98.0/97.6	97.6/97.0	97.1/96.3	97.9/97.4	97.3/97.0	98.5/97.1
Output current - 50°C (122°F) ambient temperature								
Continuous (3x200–240 V) [A]	1.5	1.9	3.5	6.8	9.6	13.0	19.8	23.0
Intermittent (3x200–240 V) [A]	1.7	2.1	3.9	7.5	10.6	14.3	21.8	25.3

¹ Applies for dimensioning of drive cooling. If the switching frequency is higher than the default setting, the power losses may increase. LCP and typical control card power consumptions are included. For power loss data according to EN 50598-2, refer to Danfoss [MyDrive® ecoSmart™](#) website.

² Efficiency measured at nominal current. For energy efficiency class, see [6.4.13 Ambient Conditions](#). For part load losses, see Danfoss [MyDrive® ecoSmart™](#) website.

Table 21: 3x200–240 V AC, 11–45 kW (15–60 hp)

Drive	P11K	P15K	P18K	P22K	P30K	P37K	P45K
Typical shaft output [kW]	11.0	15.0	18.5	22.0	30.0	37.0	45.0
Typical shaft output [hp]	15.0	20.0	25.0	30.0	40.0	50.0	60.0
Protection rating IP20	H5	H6	H6	H7	H7	H8	H8

Drive	P11K	P15K	P18K	P22K	P30K	P37K	P45K
Maximum cable size in terminals (mains, motor) [m ² (AWG)]	16 (6)	35 (2)	35 (2)	50 (1)	50 (1)	95 (0)	120 (4/0)
Output current - 40°C (104°F) ambient temperature							
Continuous (3x200–240 V) [A]	42.0	59.4	74.8	88.0	115.0	143.0	170.0
Intermittent (3x200–240 V) [A]	46.2	65.3	82.3	96.8	126.5	157.3	187.0
Maximum input current							
Continuous 3x200–240 V [A]	41.0/38.2	52.7	65.0	76.0	103.7	127.9	153.0
Intermittent (3x200–240V) [A]	45.1/42.0	58.0	71.5	83.7	114.1	140.7	168.3
Maximum mains fuses	See 3.2.4.5 Recommendation of Fuses and Circuit Breakers .						
Estimated power loss [W], Best case/typical ⁽¹⁾	369/386	512	697	879	1149	1390	1500
Weight enclosure protection rating IP20 [kg (lb)]	9.5 (20.9)	24.5 (54)	24.5 (54)	36.0 (79.4)	36.0 (79.4)	51.0 (112.4)	51.0 (112.4)
Efficiency [%], best case/typical ⁽²⁾	97.2/97.1	97.0	97.1	96.8	97.1	97.1	97.3
Output current - 50°C (122°F) ambient temperature							
Continuous (3x200–240 V) [A]	33.0	41.6	52.4	61.6	80.5	100.1	119
Intermittent (3x200–240 V) [A]	36.3	45.8	57.6	67.8	88.6	110.1	130.9

¹ Applies for dimensioning of drive cooling. If the switching frequency is higher than the default setting, the power losses may increase. LCP and typical control card power consumptions are included. For power loss data according to EN 50598-2, refer to Danfoss [MyDrive® ecoSmart™](#) website.

² Efficiency measured at nominal current. For energy efficiency class, see [6.4.13 Ambient Conditions](#). For part load losses, see Danfoss [MyDrive® ecoSmart™](#) website.

6.1.2 3x380–480 V AC

Table 22: 3x380–480 V AC, 0.37–15 kW (0.5–20 hp), Enclosure Sizes H1–H4

Drive	PK37	PK75	P1K5	P2K2	P3K0	P4K0	P5K5	P7K5	P11K	P15K
Typical shaft output [kW]	0.37	0.75	1.5	2.2	3.0	4.0	5.5	7.5	11.0	15.0
Typical shaft output [hp]	0.5	1.0	2.0	3.0	4.0	5.0	7.5	10.0	15.0	20.0
Protection rating IP20	H1	H1	H1	H2	H2	H2	H3	H3	H4	H4
Maximum cable size in terminals (mains, motor) [mm ² (AWG)]	4 (10)	4 (10)	4 (10)	4 (10)	4 (10)	4 (10)	4 (10)	4 (10)	16 (6)	16 (6)
Output current - 40°C (104°F) ambient temperature										
Continuous (3x380–440 V)[A]	1.2	2.2	3.7	5.3	7.2	9.0	12.0	15.5	23.0	31.0
Intermittent (3x380–440 V) [A]	1.3	2.4	4.1	5.8	7.9	9.9	13.2	17.1	25.3	34.0
Continuous (3x441–480 V) [A]	1.1	2.1	3.4	4.8	6.3	8.2	11.0	14.0	21.0	27.0
Intermittent (3x441–480 V) [A]	1.2	2.3	3.7	5.3	6.9	9.0	12.1	15.4	23.1	29.7
Maximum input current										

Drive	PK37	PK75	P1K5	P2K2	P3K0	P4K0	P5K5	P7K5	P11K	P15K
Continuous (3x380–440 V) [A]	1.2	2.1	3.5	4.7	6.3	8.3	11.2	15.1	22.1	29.9
Intermittent (3x380–440 V) [A]	1.3	2.3	3.9	5.2	6.9	9.1	12.3	16.6	24.3	32.9
Continuous (3x441–480 V) [A]	1.0	1.8	2.9	3.9	5.3	6.8	9.4	12.6	18.4	24.7
Intermittent (3x441–480 V) [A]	1.1	2.0	3.2	4.3	5.8	7.5	10.3	13.9	20.2	27.2
Maximum mains fuses	See 3.2.4.5 Recommendation of Fuses and Circuit Breakers .									
Estimated power loss [W], best case/typical ⁽¹⁾	13/15	16/21	46/57	46/58	66/83	95/118	104/131	159/198	248/274	353/379
Weight enclosure protection rating IP20 [kg (lb)]	2.0 (4.4)	2.0 (4.4)	2.1 (4.6)	3.3 (7.3)	3.3 (7.3)	3.4 (7.5)	4.3 (9.5)	4.5 (9.9)	7.9 (17.4)	7.9 (17.4)
Efficiency [%], best case/typical ⁽²⁾	97.8/97.3	98.0/97.6	97.7/97.2	98.3/97.9	98.2/97.8	98.0/97.6	98.4/98.0	98.2/97.8	98.1/97.9	98.0/97.8
Output current - 50°C (122°F) ambient temperature										
Continuous (3x380–440 V) [A]	1.04	1.93	3.7	4.85	6.3	8.4	10.9	14.0	20.9	28.0
Intermittent (3x380–440 V) [A]	1.1	2.1	4.07	5.4	6.9	9.2	12.0	15.4	23.0	30.8
Continuous (3x441–480 V) [A]	1.0	1.8	3.4	4.4	5.5	7.5	10.0	12.6	19.1	24.0
Intermittent (3x441–480 V) [A]	1.1	2.0	3.7	4.8	6.1	8.3	11.0	13.9	21.0	26.4

¹ Applies for dimensioning of drive cooling. If the switching frequency is higher than the default setting, the power losses may increase. LCP and typical control card power consumptions are included. For power loss data according to EN 50598-2, refer to Danfoss [MyDrive® ecoSmart™](#) website.

² Typical: under rated condition. Best case: the optimal condition is adopted, such as the higher input voltage and lower switching frequency.

Table 23: 3x380–480 V AC, 18.5–90 kW (25–125 hp), Enclosure Sizes H5–H8

Drive	P18K	P22K	P30K	P37K	P45K	P55K	P75K	P90K
Typical shaft output [kW]	18.5	22.0	30.0	37.0	45.0	55.0	75.0	90.0
Typical shaft output [hp]	25.0	30.0	40.0	50.0	60.0	70.0	100.0	125.0
Protection rating IP20	H5	H5	H6	H6	H6	H7	H7	H8
Maximum cable size in terminals (mains, motor) [mm ² (AWG)]	16 (6)	16 (6)	35 (2)	35 (2)	35 (2)	50 (1)	95 (0)	120 (250MCM)
Output current-40°C (104°F) ambient temperature								
Continuous (3x380–440 V)[A]	37.0	42.5	61.0	73.0	90.0	106.0	147.0	177.0
Intermittent (3x380–440 V) [A]	40.7	46.8	67.1	80.3	99.0	116.0	161.0	194.0
Continuous (3x441–480 V) [A]	34.0	40.0	52.0	65.0	80.0	105.0	130.0	160.0
Intermittent (3x441–480 V) [A]	37.4	44.0	57.2	71.5	88.0	115.0	143.0	176.0
Maximum input current								
Continuous (3x380–440 V) [A]	35.2	41.5	57.0	70.0	84.0	103.0	140.0	166.0
Intermittent (3x380–440 V) [A]	38.7	45.7	62.7	77.0	92.4	113.0	154.0	182.0
Continuous (3x441–480 V) [A]	29.3	34.6	49.2	60.6	72.5	88.6	120.9	142.7

Drive	P18K	P22K	P30K	P37K	P45K	P55K	P75K	P90K
Intermittent (3x441–480 V) [A]	32.2	38.1	54.1	66.7	79.8	97.5	132.9	157.0
Maximum mains fuses	See 3.2.4.5 Recommendation of Fuses and Circuit Breakers .							
Estimated power loss [W], best case/typical ⁽¹⁾	412/456	475/523	733	922	1067	1133	1733	2141
Weight enclosure protection rating IP20 [kg (lb)]	9.5 (20.9)	9.5 (20.9)	24.5 (54)	24.5 (54)	24.5 (54)	36.0 (79.4)	36.0 (79.4)	51.0 (112.4)
Efficiency [%], best case/typical ⁽²⁾	98.1/97.9	98.1/97.9	97.8	97.7	98	98.2	97.8	97.9
Output current - 50°C (122°F) ambient temperature								
Continuous (3x380–440 V) [A]	34.1	38.0	48.8	58.4	72.0	74.2	102.9	123.9
Intermittent (3x380–440 V) [A]	37.5	41.8	53.7	64.2	79.2	81.6	113.2	136.3
Continuous (3x441–480 V) [A]	31.3	35.0	41.6	52.0	64.0	73.5	91.0	112.0
Intermittent (3x441–480 V) [A]	34.4	38.5	45.8	57.2	70.4	80.9	100.1	123.2

¹ Applies for dimensioning of drive cooling. If the switching frequency is higher than the default setting, the power losses may increase. LCP and typical control card power consumptions are included. For power loss data according to EN 50598-2, refer to Danfoss [MyDrive® ecoSmart™](#) website.

² Efficiency measured at nominal current. For energy efficiency class, see [6.4.13 Ambient Conditions](#). For part load losses, see Danfoss [MyDrive® ecoSmart™](#) website.

Table 24: 3x380–480 V AC, 0.75–18.5 kW (1–25 hp), Enclosure Sizes I2–I4

Drive	PK75	P1K5	P2K2	P3K0	P4K0	P5K5	P7K5	P11K	P15K	P18K
Typical shaft output [kW]	0.75	1.5	2.2	3.0	4.0	5.5	7.5	11	15	18.5
Typical shaft output [hp]	1.0	2.0	3.0	4.0	5.0	7.5	10.0	15	20	25
Protection rating IP54	I2	I2	I2	I2	I2	I3	I3	I4	I4	I4
Maximum cable size in terminals (mains, motor) [mm ² (AWG)]	4 (10)	4 (10)	4 (10)	4 (10)	4 (10)	4 (10)	4 (10)	16 (6)	16 (6)	16 (6)
Output current - 40°C (104°F) ambient temperature										
Continuous (3x380–440 V) [A]	2.2	3.7	5.3	7.2	9.0	12.0	15.5	23.0	31.0	37.0
Intermittent (3x380–440 V) [A]	2.4	4.1	5.8	7.9	9.9	13.2	17.1	25.3	34.0	40.7
Continuous (3x441–480 V) [A]	2.1	3.4	4.8	6.3	8.2	11.0	14.0	21.0	27.0	34.0
Intermittent (3x441–480 V) [A]	2.3	3.7	5.3	6.9	9.0	12.1	15.4	23.1	29.7	37.4
Maximum input current										
Continuous (3x380–440 V) [A]	2.1	3.5	4.7	6.3	8.3	11.2	15.1	22.1	29.9	35.2
Intermittent (3x380–440 V) [A]	2.3	3.9	5.2	6.9	9.1	12.3	16.6	24.3	32.9	38.7
Continuous (3x441–480 V) [A]	1.8	2.9	3.9	5.3	6.8	9.4	12.6	18.4	24.7	29.3
Intermittent (3x441–480 V) [A]	2.0	3.2	4.3	5.8	7.5	10.3	13.9	20.2	27.2	32.2
Maximum mains fuses	See 3.2.4.5 Recommendation of Fuses and Circuit Breakers .									
Estimated power loss [W], best case/typical ⁽¹⁾	21/16	46/57	46/58	66/83	95/118	104/31	159/98	248/74	353/79	412/56

Drive	PK75	P1K5	P2K2	P3K0	P4K0	P5K5	P7K5	P11K	P15K	P18K
Weight enclosure protection rating IP54 [kg (lb)]	5.3 (11.7)	5.3 (11.7)	5.3 (11.7)	5.3 (11.7)	5.3 (11.7)	7.2 (15.9)	7.2 (15.9)	13.8 (30.4)	13.8 (30.4)	13.8 (30.4)
Efficiency [%], best case/typical ⁽²⁾	98.0/9 7.6	97.7/9 7.2	98.3/9 7.9	98.2/9 7.8	98.0/9 7.6	98.4/9 8.0	98.2/9 7.8	98.1/9 7.9	98.0/9 7.8	98.1/9 7.9
Output current - 50°C (122°F) ambient temperature										
Continuous (3x380–440 V) [A]	1.93	3.7	4.85	6.3	7.5	10.9	14.0	20.9	28.0	33.0
Intermittent (3x380–440 V) [A]	2.1	4.07	5.4	6.9	9.2	12.0	15.4	23.0	30.8	36.3
Continuous (3x441–480 V) [A]	1.8	3.4	4.4	5.5	6.8	10.0	12.6	19.1	24.0	30.0
Intermittent (3x441–480 V) [A]	2.0	3.7	4.8	6.1	8.3	11.0	13.9	21.0	26.4	33.0

¹ Applies for dimensioning of drive cooling. If the switching frequency is higher than the default setting, the power losses may increase. LCP and typical control card power consumptions are included. For power loss data according to EN 50598-2, refer to Danfoss [MyDrive® ecoSmart™](#) website.

² Efficiency measured at nominal current. For energy efficiency class, see [6.4.13 Ambient Conditions](#). For part load losses, see Danfoss [MyDrive® ecoSmart™](#) website.

Table 25: 3x380–480 V AC, 22–90 kW (30–125 hp), Enclosure Sizes I6–I8

Drive	P22K	P30K	P37K	P45K	P55K	P75K	P90K
Typical shaft output [kW]	22.0	30.0	37.0	45.0	55.0	75.0	90.0
Typical shaft output [hp]	30.0	40.0	50.0	60.0	70.0	100.0	125.0
Protection rating IP54	I6	I6	I6	I7	I7	I8	I8
Maximum cable size in terminals (mains, motor) [mm ² (AWG)]	35 (2)	35 (2)	35 (2)	50 (1)	50 (1)	95 (3/0)	120 (4/0)
Output current - 40°C (104°F) ambient temperature							
Continuous (3x380–440 V) [A]	44.0	61.0	73.0	90.0	106.0	147.0	177.0
Intermittent (3x380–440 V) [A]	48.4	67.1	80.3	99.0	116.6	161.7	194.7
Continuous (3x441–480 V) [A]	40.0	52.0	65.0	80.0	105.0	130.0	160.0
Intermittent (3x441–480 V) [A]	44.0	57.2	71.5	88.0	115.5	143.0	176.0
Maximum input current							
Continuous (3x380–440 V) [A]	41.8	57.0	70.3	84.2	102.9	140.3	165.6
Intermittent (3x380–440 V) [A]	46.0	62.7	77.4	92.6	113.1	154.3	182.2
Continuous (3x441–480 V) [A]	36.0	49.2	60.6	72.5	88.6	120.9	142.7
Intermittent (3x441–480 V) [A]	39.6	54.1	66.7	79.8	97.5	132.9	157.0
Maximum mains fuses	See 3.2.4.5 Recommendation of Fuses and Circuit Breakers .						
Estimated power loss [W], best case/typical ⁽¹⁾	496	734	995	840	1099	1520	1781
Weight enclosure protection rating IP54 [kg (lb)]	27 (59.5)	27 (59.5)	27 (59.5)	45 (99.2)	45 (99.2)	65 (143.3)	65 (143.3)
Efficiency [%], best case/typical ⁽²⁾	98.0	97.8	97.6	98.3	98.2	98.1	98.3
Output current - 50°C (122°F) ambient temperature							

Drive	P22K	P30K	P37K	P45K	P55K	P75K	P90K
Continuous (3x380–440 V) [A]	35.2	48.8	58.4	63.0	74.2	102.9	123.9
Intermittent (3x380–440 V) [A]	38.7	53.9	64.2	69.3	81.6	113.2	136.3
Continuous (3x441–480 V) [A]	32.0	41.6	52.0	56.0	73.5	91.0	112.0
Intermittent (3x441–480 V) [A]	35.2	45.8	57.2	61.6	80.9	100.1	123.2

¹ Applies for dimensioning of drive cooling. If the switching frequency is higher than the default setting, the power losses may increase. LCP and typical control card power consumptions are included. For power loss data according to EN 50598-2, refer to Danfoss [MyDrive® ecoSmart™](#) website.

² Efficiency measured at nominal current. For energy efficiency class, see [6.4.13 Ambient Conditions](#). For part load losses, see Danfoss [MyDrive® ecoSmart™](#) website.

6.1.3 3x525–600 V AC

Table 26: 3x525–600 V AC, 2.2–15 kW (3–20 hp), Enclosure Sizes H9–H10

Drive	P2K2	P3K0	P3K7	P5K5	P7K5	P11K	P15K
Typical shaft output [kW]	2.2	3.0	3.7	5.5	7.5	11.0	15.0
Typical shaft output [hp]	3.0	4.0	5.0	7.5	10.0	15.0	20.0
Protection rating IP20	H9	H9	H9	H9	H9	H10	H10
Maximum cable size in terminals (mains, motor) [mm ² (AWG)]	4 (10)	4 (10)	4 (10)	4 (10)	4 (10)	10 (8)	10 (8)
Output current - 40°C (104°F) ambient temperature							
Continuous (3x525–550 V) [A]	4.1	5.2	6.4	9.5	11.5	19.0	23.0
Intermittent (3x525–550 V) [A]	4.5	5.7	7.0	10.5	12.7	20.9	25.3
Continuous (3x551–600 V) [A]	3.9	4.9	6.1	9.0	11.0	18.0	22.0
Intermittent (3x551–600 V) [A]	4.3	5.4	6.7	9.9	12.1	19.8	24.2
Maximum input current							
Continuous (3x525–550 V) [A]	3.7	5.1	5.0	8.7	11.9	16.5	22.5
Intermittent (3x525–550 V) [A]	4.1	5.6	6.5	9.6	13.1	18.2	24.8
Continuous (3x551–600 V) [A]	3.5	4.8	5.6	8.3	11.4	15.7	21.4
Intermittent (3x551–600 V) [A]	3.9	5.3	6.2	9.2	12.5	17.3	23.6
Maximum mains fuses	See 3.2.4.5 Recommendation of Fuses and Circuit Breakers .						
Estimated power loss [W], best case/typical ⁽¹⁾	65	90	110	132	180	216	294
Weight enclosure protection rating IP54 [kg (lb)]	6.6 (14.6)	6.6 (14.6)	6.6 (14.6)	6.6 (14.6)	6.6 (14.6)	11.5 (25.3)	11.5 (25.3)
Efficiency [%], best case/typical ⁽²⁾	97.9	97	97.9	98.1	98.1	98.4	98.4
Output current - 50°C (122°F) ambient temperature							
Continuous (3x525–550 V) [A]	2.9	3.6	4.5	6.7	8.1	13.3	16.1
Intermittent (3x525–550 V) [A]	3.2	4.0	4.9	7.4	8.9	14.6	17.7

Drive	P2K2	P3K0	P3K7	P5K5	P7K5	P11K	P15K
Continuous (3x551–600 V) [A]	2.7	3.4	4.3	6.3	7.7	12.6	15.4
Intermittent (3x551–600 V) [A]	3.0	3.7	4.7	6.9	8.5	13.9	16.9

¹ Applies for dimensioning of drive cooling. If the switching frequency is higher than the default setting, the power losses may increase. LCP and typical control card power consumptions are included. For power loss data according to EN 50598-2, refer to Danfoss [MyDrive® ecoSmart™](#) website.

² Efficiency measured at nominal current. For energy efficiency class, see [6.4.13 Ambient Conditions](#). For part load losses, see Danfoss [MyDrive® ecoSmart™](#) website.

Table 27: 3x525–600 V AC, 18.5–90 kW (25–125 hp), Enclosure Sizes H6–H8

Drive	P18K	P22K	P30K	P37K	P45K	P55K	P75K	P90K
Typical shaft output [kW]	18.5	22.0	30.0	37	45.0	55.0	75.0	90.0
Typical shaft output [hp]	25.0	30.0	40.0	50.0	60.0	70.0	100.0	125.0
Protection rating IP20	H6	H6	H6	H7	H7	H7	H8	H8
Maximum cable size in terminals (mains, motor) [mm ² (AWG)]	35 (2)	35 (2)	35 (2)	50 (1)	50 (1)	50 (1)	95 (0)	120 (4/0)
Output current - 40°C (104°F) ambient temperature								
Continuous (3x525–550 V) [A]	28.0	36.0	43.0	54.0	65.0	87.0	105.0	137.0
Intermittent (3x525–550 V) [A]	30.8	39.6	47.3	59.4	71.5	95.7	115.5	150.7
Continuous (3x551–600 V) [A]	27.0	34.0	41.0	52.0	62.0	83.0	100.0	131.0
Intermittent (3x551–600 V) [A]	29.7	37.4	45.1	57.2	68.2	91.3	110.0	144.1
Maximum input current								
Continuous (3x525–550 V) [A]	27.0	33.1	45.1	54.7	66.5	81.3	109.0	130.9
Intermittent (3x525–550 V) [A]	29.7	36.4	49.6	60.1	73.1	89.4	119.9	143.9
Continuous (3x551–600 V) [A]	25.7	31.5	42.9	52.0	63.3	77.4	103.8	124.5
Intermittent (3x551–600 V) [A]	28.3	34.6	47.2	57.2	69.6	85.1	114.2	137.0
Maximum mains fuses	See 3.2.4.5 Recommendation of Fuses and Circuit Breakers .							
Estimated power loss [W], best case/typical ⁽¹⁾	385	458	542	597	727	1092	1380	1658
Weight enclosure protection rating IP54 [kg (lb)]	24.5 (54)	24.5 (54)	24.5 (54)	36.0 (79.3)	36.0 (79.3)	36.0 (79.3)	51.0 (112.4)	51.0 (112.4)
Efficiency [%], best case/typical ⁽²⁾	98.4	98.4	98.5	98.5	98.7	98.5	98.5	98.5
Output current - 50°C (122°F) ambient temperature								
Continuous (3x525–550 V) [A]	19.6	25.2	30.1	37.8	45.5	60.9	73.5	95.9
Intermittent (3x525–550 V) [A]	21.6	27.7	33.1	41.6	50.0	67.0	80.9	105.5
Continuous (3x551–600 V) [A]	18.9	23.8	28.7	36.4	43.3	58.1	70.0	91.7
Intermittent (3x551–600 V) [A]	20.8	26.2	31.6	40.0	47.7	63.9	77.0	100.9

¹ Applies for dimensioning of drive cooling. If the switching frequency is higher than the default setting, the power losses may increase. LCP and typical control card power consumptions are included. For power loss data according to EN 50598-2, refer to Danfoss [MyDrive® ecoSmart™](#) website.

² Efficiency measured at nominal current. For energy efficiency class, see [6.4.13 Ambient Conditions](#). For part load losses, see Danfoss [MyDrive® ecoSmart™](#) website.

6.2 EMC Emission Test Results

The following test results have been obtained using a system with a drive, a shielded control cable, a control box with potentiometer, and a shielded motor cable.

Table 28: EMC Emission Test Results

RFI filter type	Conduct emission. Maximum shielded cable length [m (ft)]						Radiated emission			
	Industrial environment									
EN 55011	Class A Group 2		Class A Group 1		Class B		Class A Group 1		Class B	
	Industrial environment		Industrial environment		Housing, trades and light industries		Industrial environment		Housing, trades and light industries	
EN/IEC 61800-3	Category C3		Category C2		Category C1		Category C2		Category C1	
	Second environment Industrial		First environment Home and office		First environment Home and office		First environment Home and office		First environment Home and office	
	Without external filter	With external filter	Without external filter	With external filter	Without external filter	With external filter	Without external filter	With external filter	Without external filter	With external filter
H4 RFI filter (EN55011 A1, EN/IEC61800-3 C2)										
0.25–11 kW (0.34–15 hp) 3x200–240 V IP20	–	–	25 (82)	50 (164)	–	20 (66)	Yes	Yes	–	No
0.37–22 kW (0.5–30 hp) 3x380–480 V IP20	–	–	25 (82)	50 (164)	–	20 (66)	Yes	Yes	–	No
H2 RFI filter (EN 55011 A2, EN/IEC 61800-3 C3)										
15–45 kW (20–60 hp) 3x200–240 V IP20	25 (82)	–	–	–	–	–	No	–	No	–
30–90 kW (40–120 hp) 3x380–480 V IP20	25 (82)	–	–	–	–	–	No	–	No	–
0.75–18.5 kW (1–25 hp) 3x380–480 V IP54	25 (82)	–	–	–	–	–	Yes	–	–	–

RFI filter type	Conduct emission. Maximum shielded cable length [m (ft)]						Radiated emission			
22–90 kW (30–120 hp) 3x380–480 V IP54	25 (82)	–	–	–	–	–	No	–	No	–
H3 RFI filter (EN55011 A1/B, EN/IEC 61800-3 C2/C1)										
15–45 kW (20–60 hp) 3x200–240 V IP20	–	–	50 (164)	–	20 (66)	–	Yes	–	No	–
30–90 kW (40–120 hp) 3x380–480 V IP20	–	–	50 (164)	–	20 (66)	–	Yes	–	No	–
0.75–18.5 kW (1–25 hp) 3x380–480 V IP54	–	–	25 (82)	–	10 (33)	–	Yes	–	–	–
22–90 kW (30–120 hp) 3x380–480 V IP54	–	–	25 (82)	–	10 (33)	–	Yes	–	No	–

6.3 Special Conditions

6.3.1 Derating for Ambient Temperature and Switching Frequency

Ensure that the ambient temperature measured over 24 hours is at least 5 °C (41 °F) lower than the maximum ambient temperature that is specified for the drive. If the drive is operated at a high ambient temperature, decrease the constant output current. For derating curve, see the VLT® HVAC Basic Drive FC 101 Design Guide.

6.3.2 Derating for Low Air Pressure and High Altitudes

The cooling capability of air is decreased at low air pressure. For altitudes above 2000 m (6562 ft), contact Danfoss regarding PELV. Below 1000 m (3281 ft) altitude, derating is not necessary. For altitudes above 1000 m (3281 ft), decrease the ambient temperature or the maximum output current. Decrease the output by 1% per 100 m (328 ft) altitude above 1000 m (3281 ft) or reduce the maximum ambient temperature by 1 °C (33.8 °F) per 200 m (656 ft).

6.4 General Technical Data

6.4.1 Protection and Features

- Electronic motor thermal protection against overload.
- Temperature monitoring of the heat sink ensures that the drive trips if there is overtemperature.
- The drive is protected against short circuits between motor terminals U, V, W.
- When a motor phase is missing, the drive trips and issues an alarm.
- When a mains phase is missing, the drive trips or issues a warning (depending on the load).
- Monitoring of the DC-link voltage ensures that the drive trips when the DC-link voltage is too low or too high.
- The drive is protected against ground faults on motor terminals U, V, W.

6.4.2 Mains Supply (L1, L2, L3)

Supply voltage	200–240 V ±10%
Supply voltage	380–480 V ±10%
Supply voltage	525–600 V ±10%
Supply frequency	50/60 Hz
Maximum imbalance temporary between mains phases	3.0% of rated supply voltage
True power factor (λ)	≥0.9 nominal at rated load
Displacement power factor ($\cos\phi$) near unity	(>0.98)
Switching on the input supply L1, L2, L3 (power-ups) enclosure sizes H1–H5, I2, I3, I4	Maximum 1 time/30 s
Switching on the input supply L1, L2, L3 (power-ups) enclosure sizes H6–H10, I6–I8	Maximum 1 time/minute
Environment according to EN 60664-1	Overvoltage category III/pollution degree 2

The unit is suitable for use on a circuit capable of delivering not more than 100000 A_{rms} symmetrical Amperes, 240/480 V maximum.

6.4.3 Motor Output (U, V, W)

Output voltage	0–100% of supply voltage
Output frequency	0–400 Hz
Switching on output	Unlimited
Ramp times	0.05–3600 s

6.4.4 Cable Length and Cross-section

Maximum motor cable length, shielded/armored (EMC-correct installation)	See 6.2 EMC Emission Test Results .
Maximum motor cable length, unshielded/unarmoured	50 m (164 ft)
Maximum cross-section to motor, mains	See 6.1.2 3x380–480 V AC for more information
Cross-section DC terminals for filter feedback on enclosure sizes H1–H3, I2, I3, I4	4 mm ² /11 AWG
Cross-section DC terminals for filter feedback on enclosure sizes H4–H5	16 mm ² /6 AWG
Maximum cross-section to control terminals, rigid wire	2.5 mm ² /14 AWG
Maximum cross-section to control terminals, flexible cable	2.5 mm ² /14 AWG

Minimum cross-section to control terminals	0.05 mm ² /30 AWG
--	------------------------------

6.4.5 Digital Inputs

Programmable digital inputs	4
Terminal number	18, 19, 27, 29
Logic	PNP or NPN
Voltage level	0–24 V DC
Voltage level, logic 0 PNP	<5 V DC
Voltage level, logic 1 PNP	>10 V DC
Voltage level, logic 0 NPN	>19 V DC
Voltage level, logic 1 NPN	<14 V DC
Maximum voltage on input	28 V DC
Input resistance, R _i	Approximately 4 kΩ
Digital input 29 as thermistor input	Fault: >2.9 kΩ and no fault: <800 Ω
Digital input 29 as pulse input	Maximum frequency 32 kHz push-pull-driven & 5 kHz (O.C.)

6.4.6 Analog Inputs

Number of analog inputs	2
Terminal number	53, 54
Terminal 53 mode	<i>Parameter 16-61 Terminal 53 Setting: 1 = voltage, 0 = current</i>
Terminal 54 mode	<i>Parameter 16-63 Terminal 54 Setting: 1 = voltage, 0 = current</i>
Voltage level	0–10 V
Input resistance, R _i	Approximately 10 kΩ
Maximum voltage	20 V
Current level	0/4–20 mA (scalable)
Input resistance, R _i	<500 Ω
Maximum current	29 mA
Resolution on analog input	10 bit

6.4.7 Analog Outputs

Number of programmable analog outputs	2
Terminal number	42, 45 ⁽¹⁾
Current range at analog output	0/4–20 mA
Maximum load to common at analog output	500 Ω
Maximum voltage at analog output	17 V
Accuracy on analog output	Maximum error: 0.4% of full scale
Resolution on analog output	10 bit

¹ Terminals 42 and 45 can also be programmed as digital outputs.

6.4.8 Digital Output

Number of digital outputs	4
Terminals 27 and 29	
Terminal number	27, 29 ⁽¹⁾
Voltage level at digital output	0–24 V
Maximum output current (sink and source)	40 mA
Terminals 42 and 45	
Terminal number	42, 45 ⁽²⁾
Voltage level at digital output	17 V
Maximum output current at digital output	20 mA
Maximum load at digital output	1 kΩ

¹ Terminals 27 and 29 can also be programmed as input.

² Terminals 42 and 45 can also be programmed as analog output.

The digital outputs are galvanically isolated from the supply voltage (PELV) and other high-voltage terminals.

6.4.9 Control Card, RS485 Serial Communication

Terminal number	68 (P, TX+, RX+), 69 (N, TX-, RX-)
Terminal number	61 common for terminals 68 and 69

6.4.10 Control Card, 24 V DC Output

Terminal number	12
Maximum load	80 mA

6.4.11 Relay Output

Programmable relay outputs	2
Relay 01 and 02 (enclosure size H1–H5 & I2–I4)	01–03 (NC), 01–02 (NO), 04–06 (NC), 04–05 (NO)
Maximum terminal load (AC-1) ⁽¹⁾ on 01–02/04–05 (NO) (resistive load)	250 V AC, 3 A
Maximum terminal load (AC-15) ⁽¹⁾ on 01–02/04–05 (NO) (inductive load @ cosφ 0.4)	250 V AC, 0.2 A
Maximum terminal load (DC-1) ⁽¹⁾ on 01–02/04–05 (NO) (resistive load)	30 V DC, 2 A
Maximum terminal load (DC-13) ⁽¹⁾ on 01–02/04–05 (NO) (inductive load)	24 V DC, 0.1 A
Maximum terminal load (AC-1) ⁽¹⁾ on 01–03/04–06 (NC) (resistive load)	250 V AC, 3 A
Maximum terminal load (AC-15) ⁽¹⁾ on 01–03/04–06 (NC) (inductive load @ cosφ 0.4)	250 V AC, 0.2 A
Maximum terminal load (DC-1) ⁽¹⁾ on 01–03/04–06 (NC) (resistive load)	30 V DC, 2 A
Minimum terminal load on 01–03 (NC), 01–02 (NO)	24 V DC 10 mA, 24 V AC 20 mA
Environment according to EN 60664-1	Overvoltage category III/pollution degree 2

¹ IEC 60947 parts 4 and 5. Endurance of the relay varies with different load type, switching current, ambient temperature, driving configuration, working profile, and so forth. It is recommended to mount a snubber circuit when connecting inductive loads to the relays.

Programmable relay outputs

Relay 01 terminal number (enclosure size H9)	01–03 (NC), 01–02 (NO)
Maximum terminal load (AC-1) ⁽¹⁾ on 01–03 (NC), 01–02 (NO) (resistive load)	240 V AC, 2 A
Maximum terminal load (AC-15) ⁽¹⁾ (inductive load @ cosφ 0.4)	240 V AC, 0.2 A
Maximum terminal load (DC-1) ⁽¹⁾ on 01–02 (NO), 01–03 (NC) (resistive load)	60 V DC, 1 A
Maximum terminal load (DC-13) ⁽¹⁾ (inductive load)	24 V DC, 0.1 A
Relay 01 and 02 terminal number (enclosure size H6, H7, H8, H9 (relay 2 only), H10, and I6–I8)	01–03 (NC), 01–02 (NO), 04–06 (NC), 04–05 (NO)
Maximum terminal load (AC-1) ⁽¹⁾ on 04–05 (NO) (resistive load) ^{(2) (3)}	400 V AC, 2 A
Maximum terminal load (AC-15) ⁽¹⁾ on 04–05 (NO) (inductive load @ cosφ 0.4)	240 V AC, 0.2 A
Maximum terminal load (DC-1) ⁽¹⁾ on 04–05 (NO) (resistive load)	80 V DC, 2 A
Maximum terminal load (DC-13) ⁽¹⁾ on 04–05 (NO) (inductive load)	24 V DC, 0.1 A
Maximum terminal load (AC-1) ⁽¹⁾ on 04–06 (NC) (resistive load)	240 V AC, 2 A
Maximum terminal load (AC-15) ⁽¹⁾ on 04–06 (NC) (inductive load @ cosφ 0.4)	240 V AC, 0.2 A
Maximum terminal load (DC-1) ⁽¹⁾ on 04–06 (NC) (resistive load)	50 V DC, 2 A
Maximum terminal load (DC-13) ⁽¹⁾ on 04–06 (NC) (inductive load)	24 V DC, 0.1 A
Minimum terminal load on 01–03 (NC), 01–02 (NO), 04–06 (NC), 04–05 (NO)	24 V DC 10 mA, 24 V AC 20 mA
Environment according to EN 60664-1	Overvoltage category III/pollution degree 2

¹ IEC 60947 parts 4 and 5. Endurance of the relay varies with different load type, switching current, ambient temperature, driving configuration, working profile, and so forth. It is recommended to mount a snubber circuit when connecting inductive loads to the relays.

² Overvoltage Category II.

³ UL applications 300 V AC 2 A.

6.4.12 Control Card, 10 V DC Output

Terminal number	50
Output voltage	10.5 V ±0.5 V
Maximum load	25 mA

6.4.13 Ambient Conditions

Enclosure protection rating	IP20, IP54 (not for outdoor installation)
Enclosure kit available	IP21, TYPE 1
Vibration test	1.0 g
Maximum relative humidity	5–95% (IEC 60721-3-3; Class 3K3 (non-condensing)) during operation
Aggressive environment (IEC 60721-3-3), coated (standard) enclosure sizes H1–H5	Class 3C3
Aggressive environment (IEC 60721-3-3), non-coated enclosure sizes H6–H10	Class 3C2
Aggressive environment (IEC 60721-3-3), coated (optional) enclosure sizes H6–H10	Class 3C3

Aggressive environment (IEC 60721-3-3), non-coated enclosure sizes I2–I8	Class 3C2
Test method according to IEC 60068-2-43 H2S (10 days)	
Ambient temperature ⁽¹⁾	See maximum output current at 40/50 °C (104/122 °F) in 6.1.2 3x380–480 V AC .
Minimum ambient temperature during full-scale operation	0 °C (32 °F)
Minimum ambient temperature at reduced performance, enclosure sizes H1–H5 and I2–I4	-20 °C (-4 °F)
Minimum ambient temperature at reduced performance, enclosure sizes H6–H10 and I6–I8	-10 °C (14 °F)
Temperature during storage/transport	-30 to +65/70 °C (-22 to +149/158°F)
Maximum altitude above sea level without derating	1000 m (3281 ft)
Maximum altitude above sea level with derating	3000 m (9843 ft)
Derating for high altitude	See 6.3.2 Derating for Low Air Pressure and High Altitudes .
Safety standards	EN/IEC 61800-5-1, UL 508C
EMC standards, Emission	EN 61800-3, EN 61000-6-3/4, EN 55011, IEC 61800-3
EMC standards, Immunity	EN 61800-3, EN 61000-3-12, EN 61000-6-1/2, EN 61000-4-2, EN 61000-4-3, EN 61000-4-4, EN 61000-4-5, EN 61000-4-6
Energy efficiency class ⁽²⁾	IE2

¹ Refer to *Special Conditions in the design guide* for:

- *Derating for high ambient temperature.*
- *Derating for high altitude.*

² Determined according to EN 50598-2 at:

- *Rated load.*
- *90% rated frequency.*
- *Switching frequency factory setting.*
- *Switching pattern factory setting.*

Index

1		
10 V DC output	78	
2		
24 V DC output	77	
A		
Additional resource	6	
Ambient condition	78	
Ambient temperature	74	
Analog input	76	
B		
Branch circuit protection	31	
C		
Certificates and approvals	7	
Circuit breaker	31	
Control card	77, 77, 78	
D		
Derating	74, 74	
Digital input	76	
Digital output	77	
Display	39	
Document version	6	
E		
Electrical installation	15	
EMC-correct electrical installation	34	
Energy efficiency class	79	
F		
Fuse	31	
H		
High altitudes	74	
I		
Indicator light	40	
Installation		
Qualified personnel	9	
L		
LCP	39	
Leakage current	10	
Local control panel	39	
Low air pressure	74	
M		
Mains supply (L1, L2, L3)	75	
MCT 10 setup software	6, 39	
Menu key	40	
Motor output (U, V, W)	75	
Motor overload protection	75	
N		
Navigation key	40	
O		
Operation key	40	
Overcurrent protection	31	
P		
Programming	39	
Protection	75	
Q		
Qualified personnel	6, 9	
R		
Relay output	77	
RS485 serial communication	77	
S		
Short-circuit protection	31	
Side-by-side installation	12	
Software version	6	
Switching frequency	74	
Symbols	9	
U		
UL 508C	7	
UL/Non-UL compliance	31	

V

Voltage

Safety warning 9

W

Wiring schematic 37

ENGINEERING
TOMORROW

Danfoss

.....
Danfoss can accept no responsibility for possible errors in catalogues, brochures and other printed material. Danfoss reserves the right to alter its products without notice. This also applies to products already on order provided that such alterations can be made without subsequential changes being necessary in specifications already agreed. All trademarks in this material are property of the respective companies. Danfoss and the Danfoss logotype are trademarks of Danfoss A/S. All rights reserved.
.....

Danfoss A/S
Ulsnaes 1
DK-6300 Graasten
vlt-drives.danfoss.com

